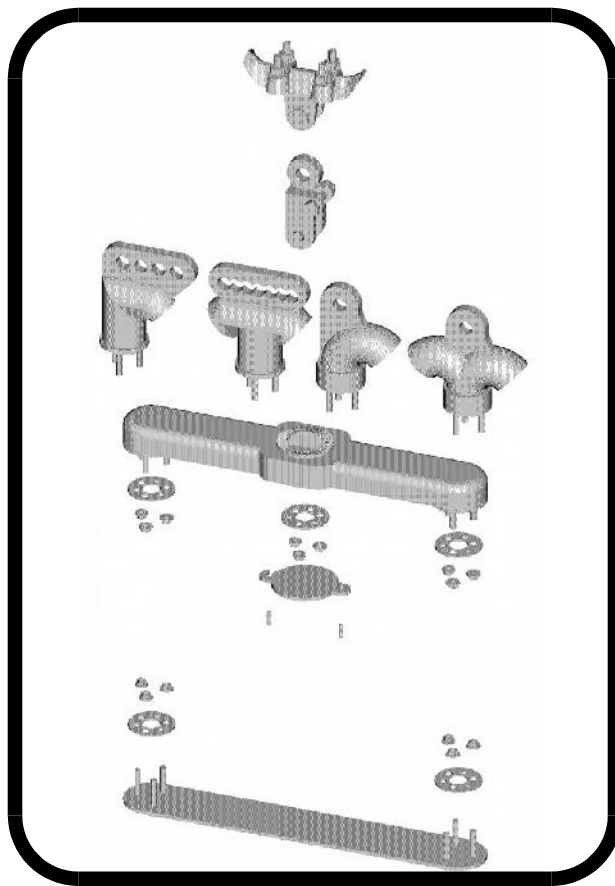


Traffic Parts



Hardware and Signal Head Catalog

Spring, Tx
1-800-345-6329
www.trafficparts.com

Catalog
HD2016

Contents

Item:	Page
Traffic Signal Mounting Assemblies:	
EZ Bracket	4
Horizontal Mounting	10
Span Wire Mounting	
One Way	12
Framework Multiway	14
Clusters	18
Disconnect Hanger	24
Tri-Stud Multiway	26
Tether Clamp Assemblies	27
Drop Tether	28
Side of Pole Mounting	
Pole Framework	30
U-Bolt Mounts, 4.5" OD Pole	35
Terminal Compartment	36
Post Top Mounting	
One Way	41
Framework Multiway	42
Vertical Terminal Compartment	44
Horizontal Terminal Compartment	46
Mast Arm Mounting	48
Other Hardware Assemblies:	
Sign Brackets	
EZ Sign Mount	50
Sign Mount, Adjustable, Wind Dumping	52
Untethered	54
Tethered	55
Sign Lights	56
Tubes and Nipples	57
Poles and Bases	58
Junction Boxes	60
Loop Sealant	62
Fan Assemblies	64
Pedestrian Pushbuttons	65
Signals and Accessories:	
Vehicle and Pedestrian Signals (8"/12")	72
Pedestrian Signals (16")	76
LED Kits	78
Replacement Lenses	80
Backplates	81
Replacement Visors	82

Contents

Item:	Page
Warning Flashers and Cabinets	
Vertical Warning Flashers	84
Horizontal Warning Flashers	87
Flasher Cabinets	90
Solar Flasher Controllers	92
Solar Panel Mounting Kits	94
Component Parts:	
Span Wire	96
Side of Pole	105
Post Top	109
Mast Arm	112
EZ Bracket	113
Disconnect Hangers	116
General Application	118
Pushbuttons	126
Flasher Cabinets	128
Cabinets	130
Poleline Hardware	132
Banding Supplies	135
Non-NEMA Flashers	137

Please Note: This catalog is a presentation of equipment used for traffic control. It is not an engineering, technical or installation guide. Before you purchase any equipment make certain that what you ask for will meet your state and local laws and regulations and that this equipment will be installed by qualified persons. We are not an engineering or installation company. We can, however, supply you with equipment to meet your specifications.

Copyright ©2015 by Traffic Parts, Inc. All Rights Reserved. Printed in the United States of America. Except as permitted under the United States Copyright Act of 1976, no part of this publication may be reproduced or distributed in any form or by any means, or stored in a data base or retrieval system, without the prior written permission of the publisher.

EZ Bracket

> Universal Mounting

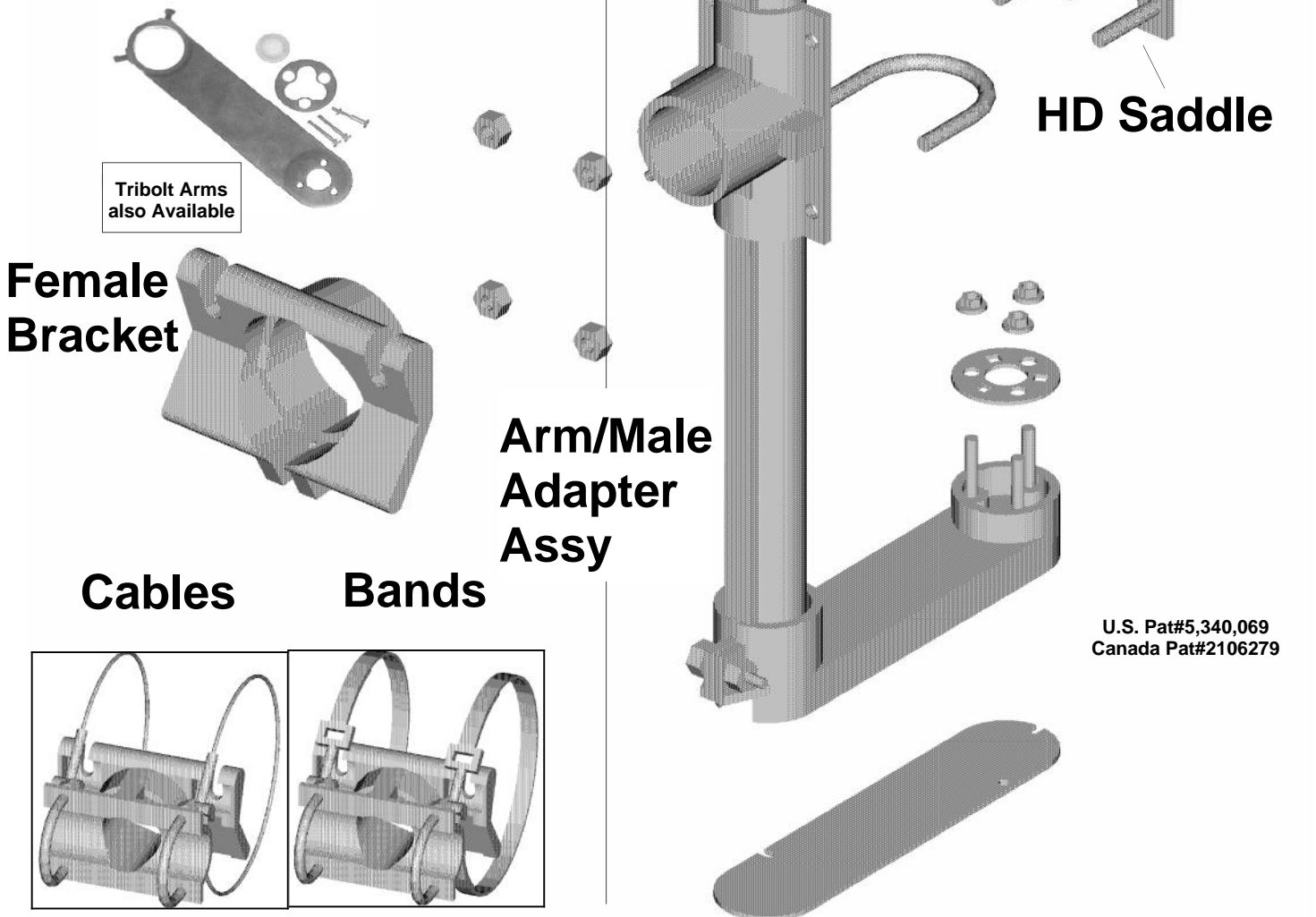
Full 360 degree movement of the male/female mounting bracket design permits easy orientation. This is a through hole design with no obstructions to cable passage.

> Versatile Cable Routing

Fully hidden: Wires may be routed through a hole in the pole or mast arm, through the EZ Bracket and into the "V-Channel" support tube. The lower arm provides a channel for the wire to be fed into the signal assembly. Connections may be made inside the EZ Bracket with optional connector kit!

End Fitting Entry: Wires may enter the bottom rear of the lower arm assembly and feed directly into the signal assembly.

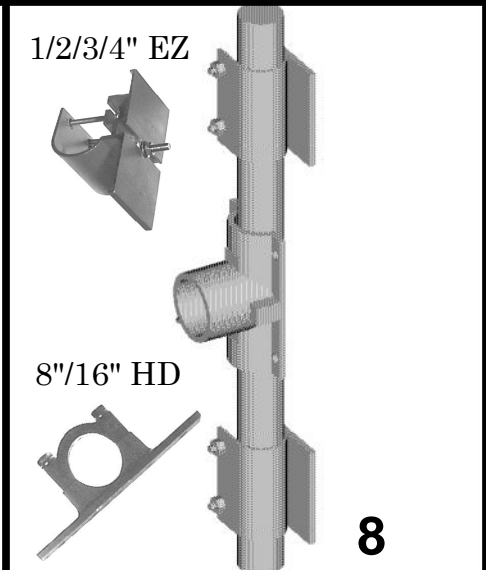
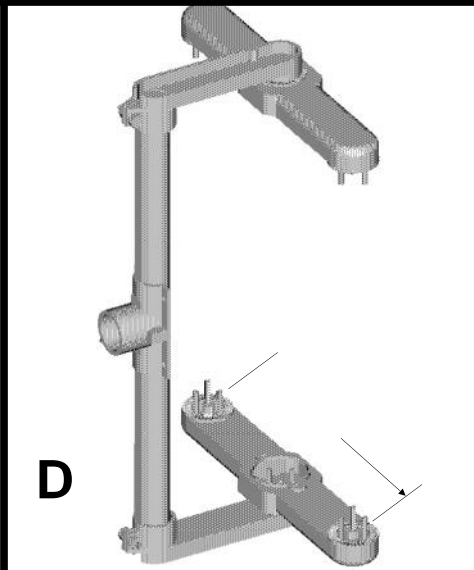
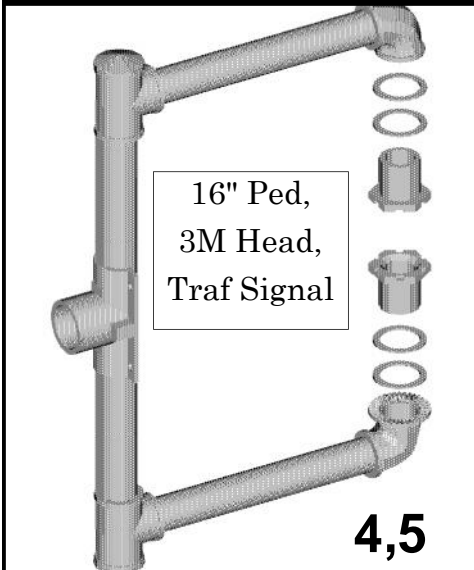
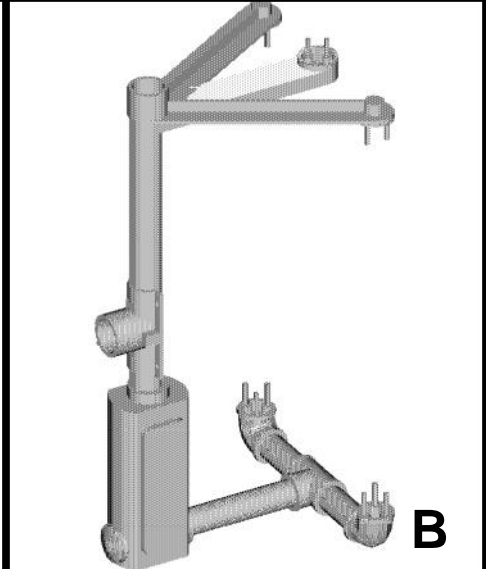
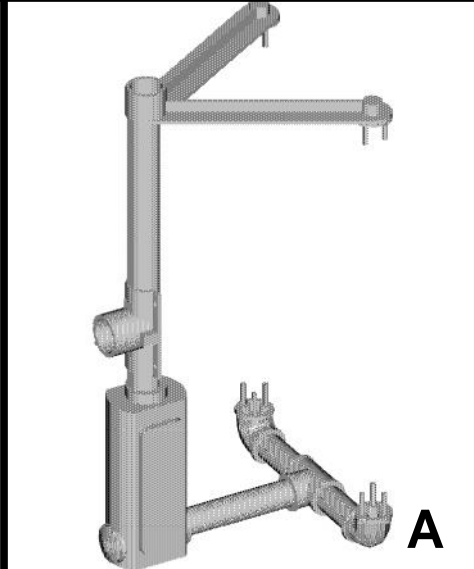
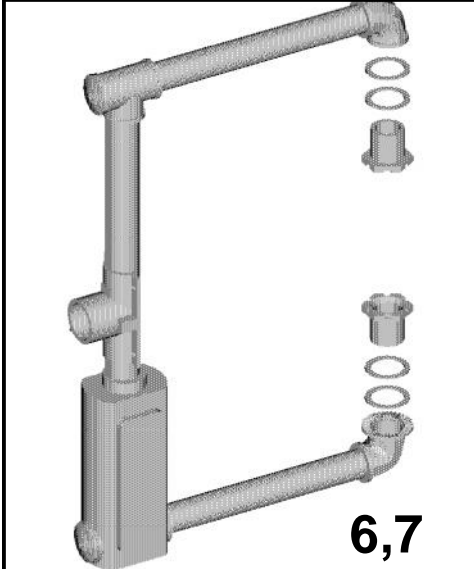
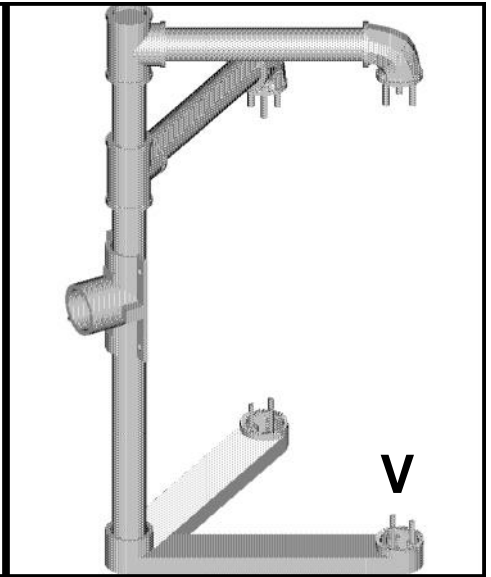
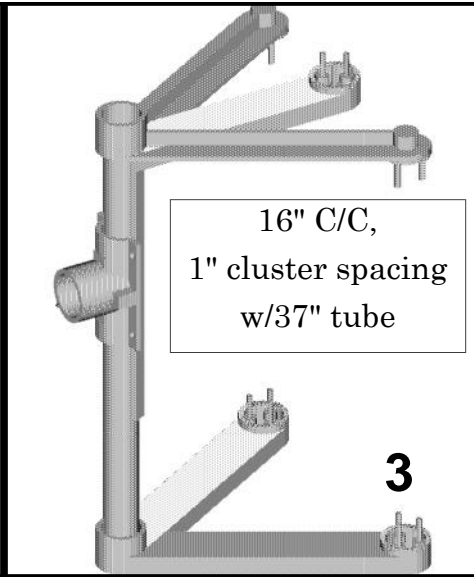
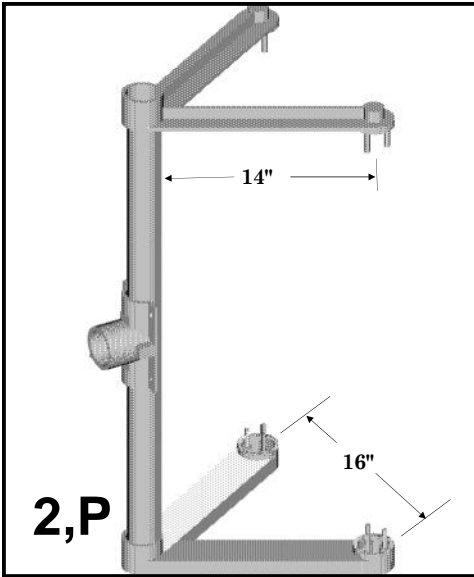
CGB Entry: Arms are available with 3/4" and 1" NPT threads to accept CGB's. Order CGBs separately, if required.



1-800-345-6329

Options:

Traffic Parts, Inc.



Options:

Traffic Parts, Inc.

1. Arm Configuration (See drawings)

- 1=1Way 2=2Way 3=Doghouse N=None
- V=2 Way Variable 8=Sign Mounting
- 4=Single 16" Ped, Thrd elb,locknipl
- 5=Single 16" Ped, Tri-stud elbow
- P=Dual 16" Ped
- D=Dual 16" Ped, Tristud elbow
- 6=Terminal Compt,Thrd elb,locknipl
- 7=Term Compt,Tri-stud elbow
- A=Term Compt,2 Way,Tri-stud elbow
- B=Term Compt,Doghouse,Tri-stud elb

2. Top Arm (Config #8-Sign Brkt)

- 1=EZ Arm, closed end (1x8HD)
- A= " " , w/2ss
- 2=EZ Arm, Thru hole w/cvr (1x16HD)
- B= " " , w/2ss
- 3=EZ Arm, 3/4" NPT Thrd for CGB
- C= " " ,w/2ss
- 4=EZ Arm, 1" NPT Thrd for CGB
- D= " " , w/2ss
- 5=Nipple,Al,12" (16" Ped Head) (1x6EZ)
- 6=Nipple,Al,Specify Length (2x6EZ)
- 7=Sign Mount Bracket (3x6EZ)
- 8=2 Way/Doghouse (4x6EZ)
- M=Arms for 3M heads
- T=Tribolt,3/4" NPT,2ss N=None

3. Bottom Arm

- Same choices as top arm
- S=Tribolt,Thru Hole w/cover

4. Support Tube Type N=None

Tube type	Plain ends	Thrd 1 end
Round,AL	A	1
'V' channel,AL	G	2
'V' w/vinyl insert	V	3

5-6. Support Tube Length (inches)

- 12" Signal = 14"; 8" Signal = 10";
- 16" Ped Head = 16" + 6";
- 3M Head = 13"/section + 4" (2 adapters)
- Tube length = Signal/sign length
- + 3" (Config #1) OR
- + 4" (Config #2,3,4,5,V) OR
- 5" (Config #6,7,A,B) OR
- 2" (Config #8)

7. Clamp Kit Type N=None

Type	Band	Band Rdy	Cbl	Cbl rdy
Std	B	W	C	Y
Swivel	1	X	2	Z
NPSL,Fixed	3	R	4	S
NPSL,Artic	7	P	8	Q
Articulated	5	T	6	U

8. Band/Cable Length

- 1=29" Bnd / 66" Cbl 2=36"Bnd/84" Cbl
- 3=42"Bnd/120" Cbl 4=48"Bnd/98" Cbl
- 5=56" Bands N=None/Special length

9. Paint Items

- N=Natural (no paint)
- 1=Arms only (not including tees)
- 2=Arms + Support tube assembly
- 3=Arms + Support tube assy + Clamp kit

10. Color

- Y=Yellow B=Gloss Blk F=Flat Blk
- G=Dk Grn L=Light Grn Z=Bronze
- X=Special N=None (natural finish)

11. Tube Clamp Type

- N=U-Bolt S=HDuty four stud saddle
- F=Female 1.5"NPSL

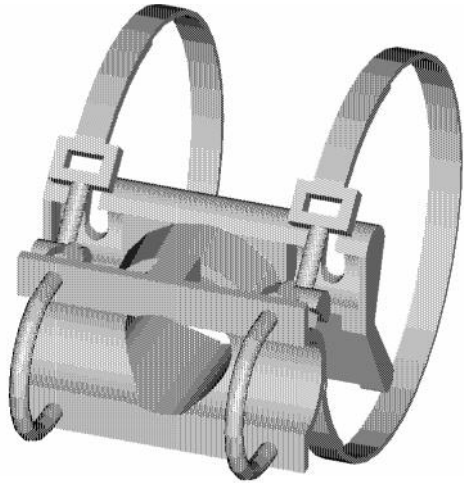
12. Tristud washers, U-Bolts

- P=Plated S=Stainless

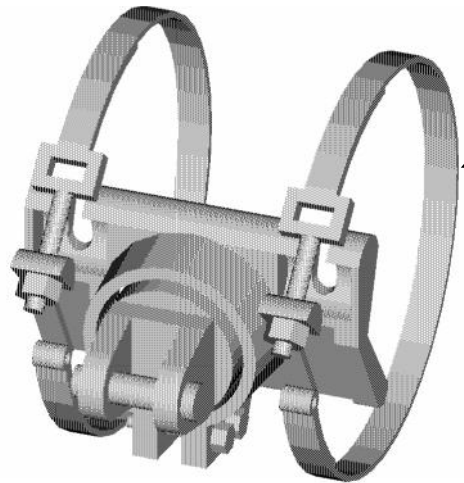
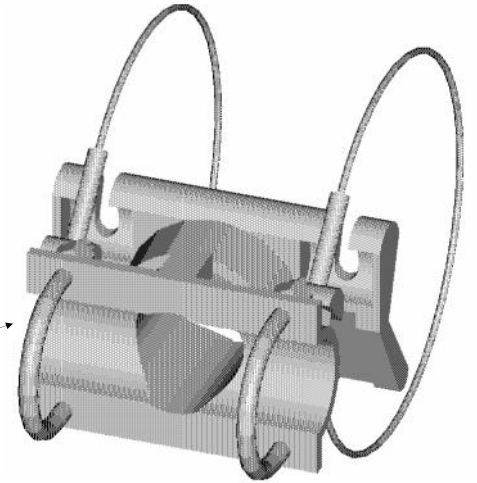
EZBRC	-				-					-					-				
Option Category ➔	1	2	3	4	5	6	7	8	9	10	11	12	13	14	15	16	17	18	19

Ez Brac Clamp Kits

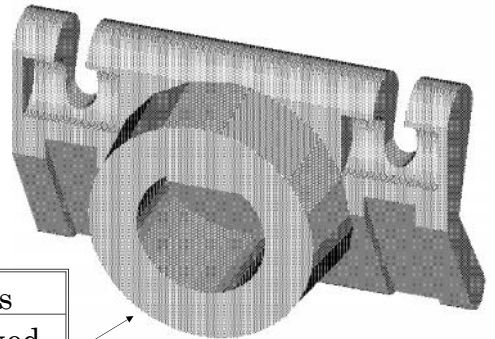
Special length cables/bands and stainless steel hdwr kits available for all clamp kits



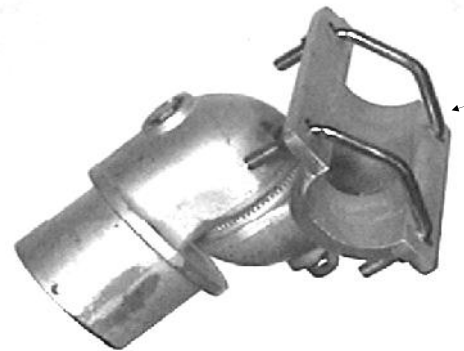
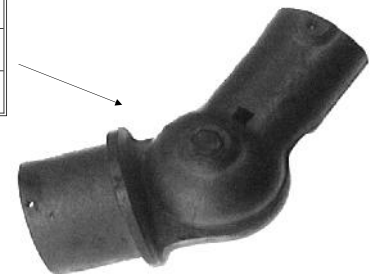
Pipe Support Clamp kits		
Part #	Max Pole Diameter	
5311	29" bands	8.6"
5620	36" bands	10.8"
5621	42" bands	12.7"
5622	48" bands	14.6"
5623	56" bands	17.2"
5312	66" cable	9.2"
5624	84" cable	12.1"
7272	98" cable	14.3"
7173	120" cable	17.8"



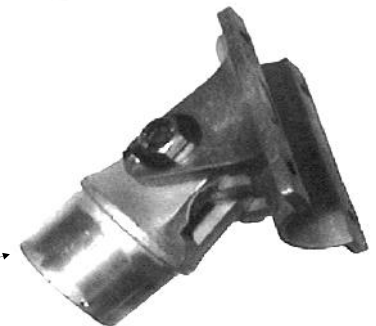
Clevis hanger (free swing)		
Part #	Max Pole Diameter	
7039	29" bands	8.6"
7038	66" cable	9.2"
7590	Band Ready	
7591	Cable Ready	



Part #	1.5"NPSL Kits
7580	Band Ready, Fixed
7581	Cable Ready, Fixed
7424	Band Ready, Artic
7425	Cable Ready, Artic



Part #	Articulated Kits
7565	Band Ready
7566	Cable Ready



Part #	Swivel Kits
7389	Band Ready
7391	Cable Ready

EZ Mini Bracket



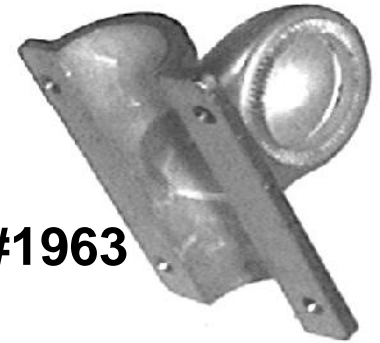
#2845 Mini brac, 29" band
#925 Mini brac, Band ready



#7108 Mini brac, 46" cable
#926 Mini brac, Cable ready

Std Band lengths: 29,36,42,48,56
Std Cable lengths: 29,33,42,49,60

EZ Tube Saddles



#1963

#6339



#6320

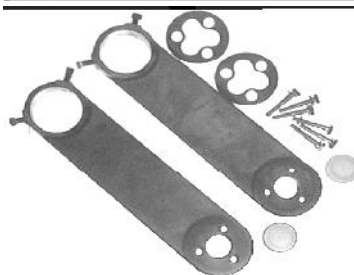


Tristud Horizontal		
#	CGB	Hdwr
7645	3/4"	Pltd
7646	3/4"	SS
7647	1"	Pltd
7648	1"	SS



Tristud Vertical		
#	CGB	Hdwr
7573	NA	Pltd
7574	NA	SS

EZ Arm Kits



Tribolt Horizontal		
#	CGB	Hdwr
7575	3/4"	Pltd
7576	3/4"	SS

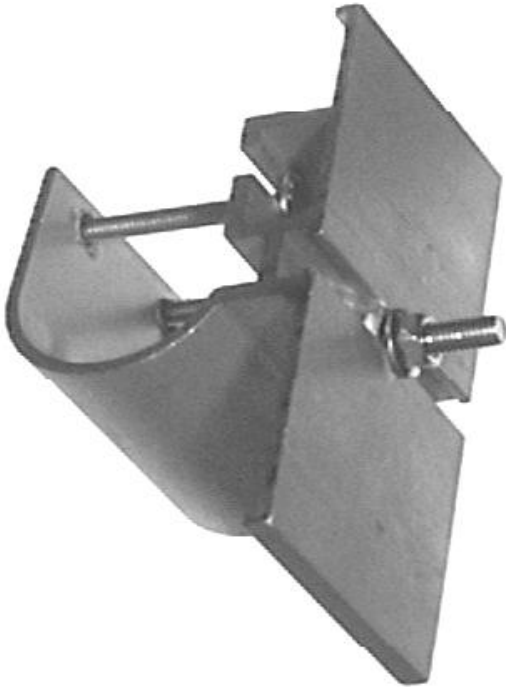


Tribolt Vertical		
#	CGB	Hdwr
7649	NA	Pltd
7650	NA	SS

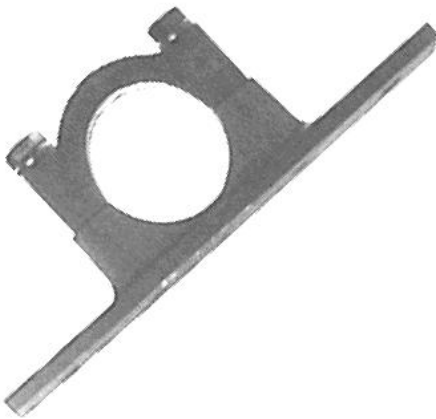


Tribolt Box Horiz		
#	CGB	Hdwr
7588	3/4"	Pltd
7589	3/4"	SS

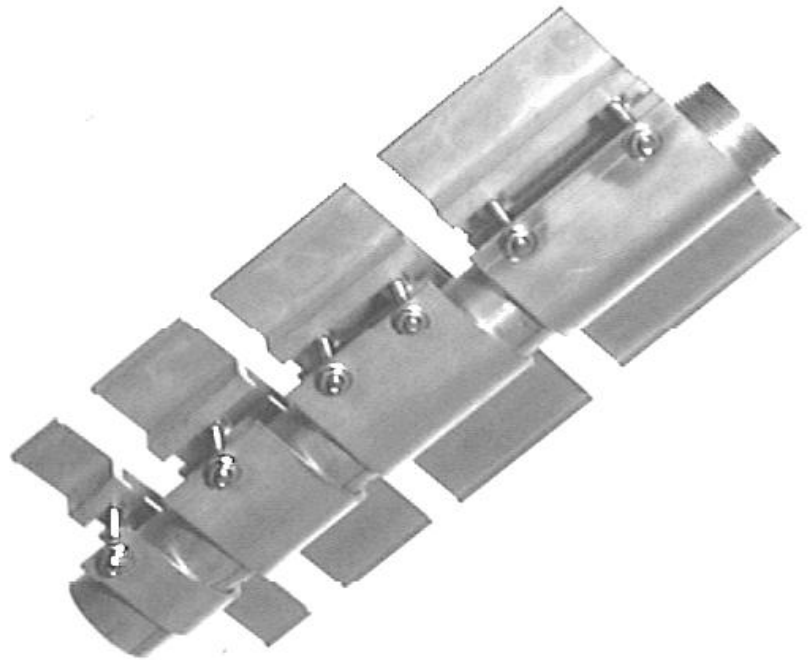
EZ Tube Mount Sign Clamps



- #1061 1"x6"W,1 bolt,Pltd hdwr
- #1062 2"x6"W,1 bolt,Pltd hdwr
- #1063 3"x6"W,2 bolt,Pltd hdwr
- #1064 4"x6"W,2 bolt,Pltd hdwr
- #1065 1"x6"W,1 bolt,SS hdwr
- #1066 2"x6"W,1 bolt,SS hdwr
- #1067 3"x6"W,2 bolt,SS hdwr
- #1068 4"x6"W,2 bolt,SS hdwr



- #5750 1"x8"W,H Duty,Pltd hdwr
- #2009 .SS hdwr
- #7157 1"x16"W,H Duty,Pltd hdwr
- #1247 ,SS hdwr



Horizontal Mounting

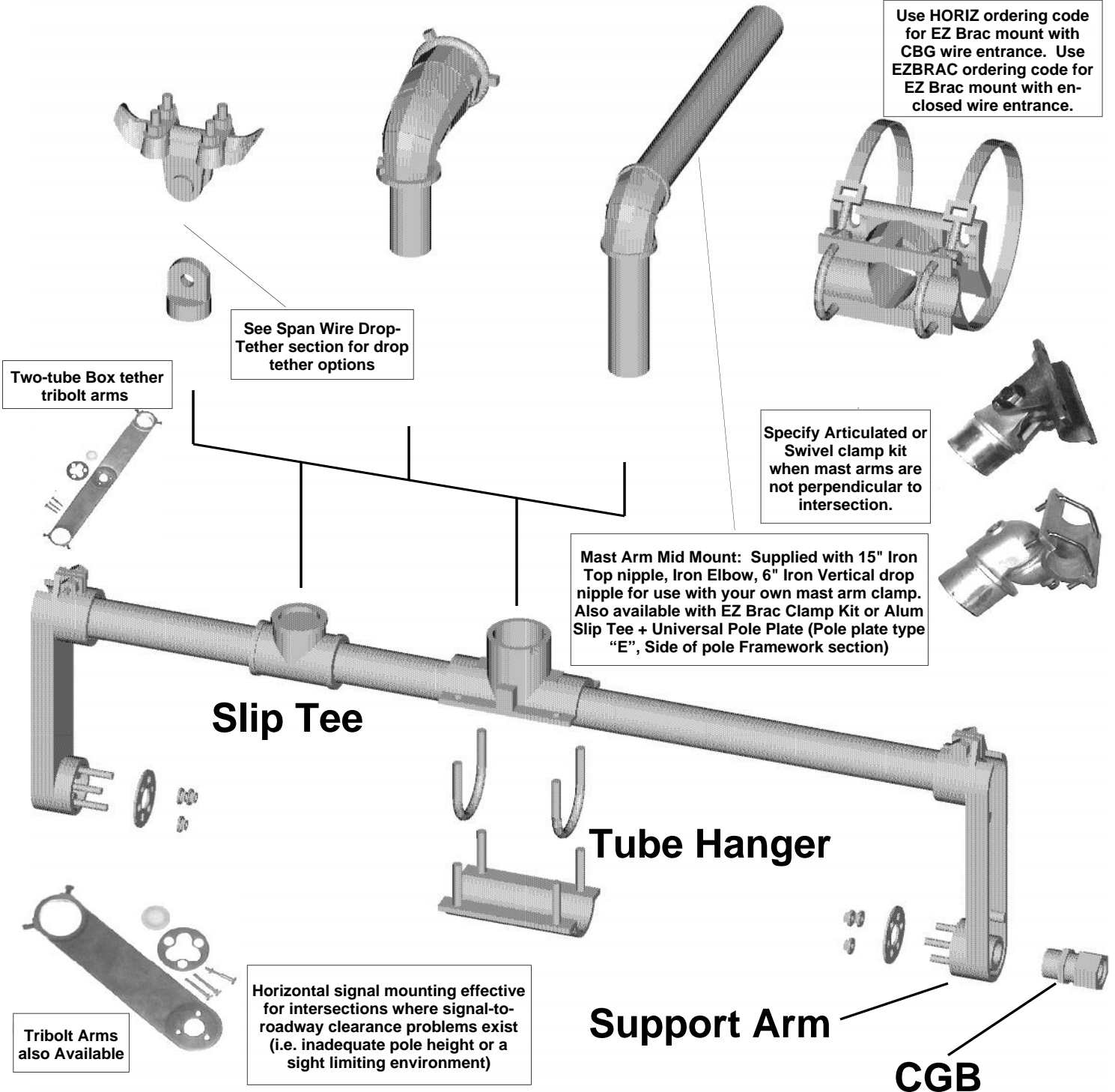
Span Wire Mount

Mast Arm End Mount

Mast Arm Mid Mount

EZ Brac Mount

Use HORIZ ordering code for EZ Brac mount with CBG wire entrance. Use EZBRAC ordering code for EZ Brac mount with enclosed wire entrance.



See Span Wire Drop-Tether section for drop tether options

Two-tube Box tether tribolt arms

Specify Articulated or Swivel clamp kit when mast arms are not perpendicular to intersection.

Mast Arm Mid Mount: Supplied with 15" Iron Top nipple, Iron Elbow, 6" Iron Vertical drop nipple for use with your own mast arm clamp. Also available with EZ Brac Clamp Kit or Alum Slip Tee + Universal Pole Plate (Pole plate type "E", Side of pole Framework section)

Slip Tee

Tube Hanger

Support Arm

CGB

Horizontal signal mounting effective for intersections where signal-to-roadway clearance problems exist (i.e. inadequate pole height or a sight limiting environment)

Tribolt Arms also Available

Options:

Traffic Parts, Inc.

1-2. Alum Tube Length (inches)

Tube length = Signal head length + 3"
 [12" signal = 14"; 8" signal = 10"]

3. Paint items

1=Arms 2=Arms, Support Tube, Tee
 3=All parts (ex SWH, Eyelet) N=None

4. Color

Y=Yellow B=Gloss Blk F=Flat Blk
 G=Dk Grn L=Light Grn Z=Bronze
 X=Special N=None (natural finish)

5. Support Arm

1=CGB Thread one end, Closed one end
 A= " " , w/2ss
 2=CGB Thread both ends
 B= " " ,w/2ss
 T=Tribolt, 3/4" thread
 U=Tribolt, 3/4" thrd, 2-tube box tether

SS upgrade kit #6185 (1 SS Tristud Washer, 3 SS Nuts)

6. CGB/Tube Support

Arm Hanger Type	Number CGB		
	0	1	2
Slip Tee	N	1	2
Tube Hanger, U-bolt	A	B	C
Tube Hanger, 4 stud	H	J	K

7. Thread/CGB Size

A=3/4" B=1"

8. Top Configuration

N=None Hardware—>	Pltd	SS
Span wire mount	1	A
Mast Arm End Mount	2	B
Mast Arm Mid Mount	3	C
EZ Brac	4	G
Mast Arm Mid Mnt w/EZ brac	5	E
Mast Arm Mid Mnt w/Pole plt	6	F

Span Wire Options

9. Eyelet Material

A=Alum S=Alum w/SS bushings

10. Hanger Material

F=Iron B=Bronze N=None

A=Alum S=Alum w/SS bushings

11. Span Wire Hanger Type

N=None

Option#>	1	2	3	4	5	6	7	8
Size	6"	6"	6"	6"	9"	9"	9"	9"
Bolt Style	U	U	L	L	U	U	L	L
Hdw Matl	Plt	SS	Plt	SS	Plt	SS	Plt	SS

Mast Arm End Options

4" Vertical drop nipple, Iron

9. Elbow Plumbizer Material

A=Alum Plumbizer, Alum Nipple

F=Iron Plumbizer, Steel Nipple

B=Bronze Plumbizer, Steel Nipple

N=None (Slip tee only)

Mast Arm Mid Options

9. Material/Length

F=15" Iron Top pipe, Iron elbow,

6" iron drop nipple X=Special

EZ Bracket Options

9. Clamp Kit Size

N=None 1=29" Band 2=36" Band

3=42" Band 4=48" Band 5=56" Band

7=66" Cable 8=84" Cable

9=98" Cable 0=120" Cable

10. Clamp Kit Type

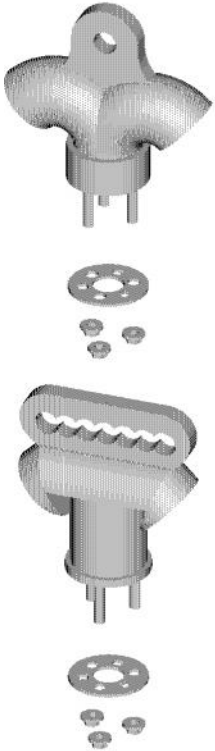
N=Standard S=Swivel V=Artic

HORIZ	-				-				-				-				-								
Option Category →		1	2	3		4	5	6		7	8	9		10	11	12		13	14	15		16	17	18	19

Span Wire One Way

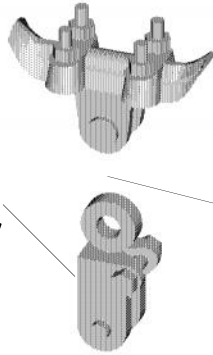
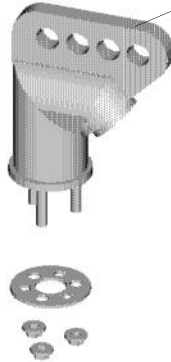
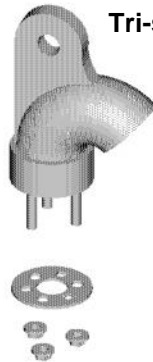
Wire Entrance Heads

Tri-stud 2-way: 1 hole or comb



Balance Adjuster

Tri-stud: 1 hole or 4 hole



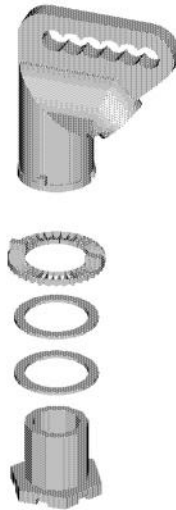
Hanger

See Span Wire Drop-Tether section for drop tether options

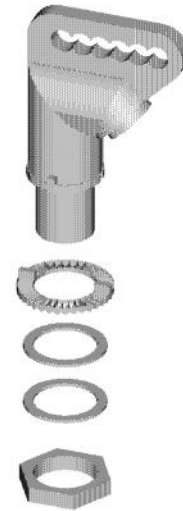
All multi-hole alum 1-way WEH (exc Lg opening) have 4-hole fin pattern

All iron/bronze WEH have 6-hole comb pattern

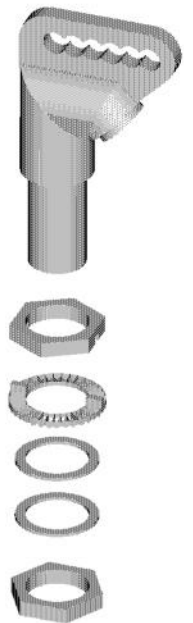
Female



Female: w/allthread



Male

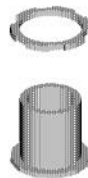


Note: Available with 2' tethered drop pipe: Threaded bottom (options K,L) or Tristud bottom (options V,W)

Bottom Closures



Molded Plastic Sealing Cap



Alum Closure w/locking



Plastic Plug

Note: Tether clamp assemblies available in separate section of this catalog.

Tristud WEH with adapter fin for drop tether available — Please see Drop Tether Assemblies Section



Options:

Traffic Parts, Inc.

1. Color

Y=Yellow B=Gloss Blk F=Flat Blk
 G=Dk Grn L=Light Grn Z=Bronze
 X=Special N=None (natural finish)

2. Material

(Hgr,Bal Adj,WEH, Lock Nipple)
 F=Iron Z=Iron w/Brass Lock Nipple
 A=Alum S=Alum w/SS bushings
 B=Brass C=Brass w/Iron Lock Nipple

3. Hanger

N=None

Option#>	1	2	3	4	5	6	7	8
Size	6"	6"	6"	6"	9"	9"	9"	9"
Bolt Style	U	U	L	L	U	U	L	L
Hdw Matl	Plt	SS	Plt	SS	Plt	SS	Plt	SS
Hgr Matl	Iron or Alum				Iron or Brnz			

4. Balance Adjuster

N=None E=EZ Balance Adjuster

Option #>	1	2	3	4
Eye Bolt Matl	Stl	Stl	Brs	Brs
Hdwr Matl	Plt	SS	Plt	SS

5. Wire Entr Head (#=No grommet)

(See table below) * Built in shurlock

6. Bottom Closure

1=Plastic Plug N=None X=Special
 2=Alum Closure w/lockring
 3=Molded Plastic Sealing Cap

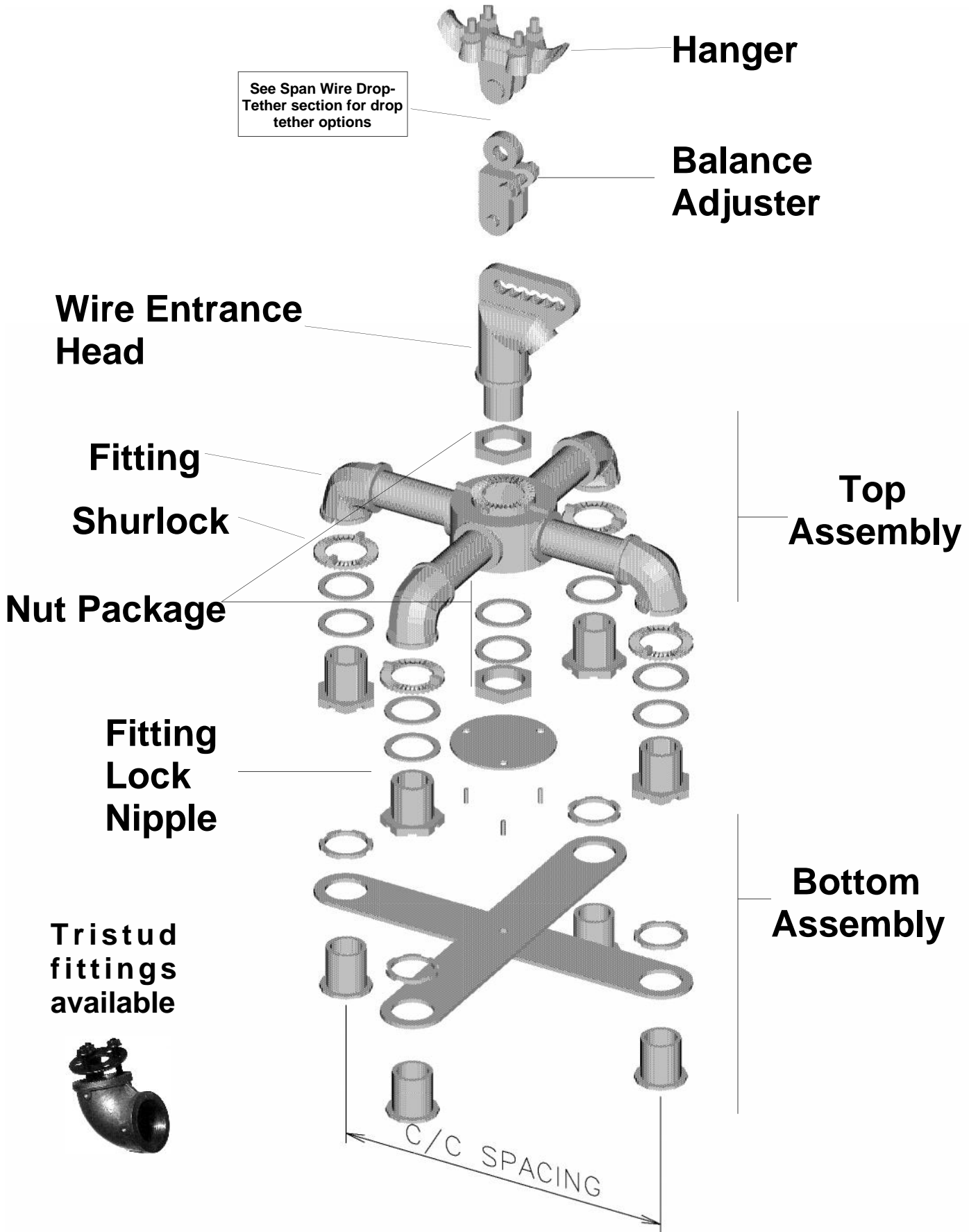
7. Shurlock/Tristud Washr Matl

For Threaded: 1=Plastic 2=Aluminum
 3=Bronze N=None
 For Tristud: P=Plated S=Stainless

WEH Option #>		T	A#	B#	U	C	V	W	F	G	H	J	K	L	1	2	3	4	5
Type		Tristud							Female						Male				
WEH type	1-way, 4 hole	X																	
	1-way, 1 hole		X																
	2-way, 1 hole			X															
	2-way, comb					X													
	Female,comb						X		X		X		X		X				
	Male,comb															X	X	X	
	Lg Open,comb				X			X		X		X		X					X
	Shurlock Ring	*	*	*	*	*	*	*	X	*		*	X	X	X	X			*
	Wshr,Gasket								X	X			X	X	X	X		X	X
	Locknipple								X	X			X	X					
	AllThrd Nipl														X				X
	1 Locknut														X	X			X
	Notched Lcknut,w/2ss															X			
	2 Locknuts																X	X	
	Lead Washer																X		
	Split Ring																		X
	Cotter Pin														X	X	X	X	X
	2' Drop pipe w/tether						X	X					X	X					

SPAN1	-				-														
Option Category ➔	1	2	3	4	5	6	7	8	9	10	11	12	13	14	15	16	17	18	19

Span Wire Framework Multiway



Options:

Traffic Parts, Inc.

1-3. Top Configuration

T00=None

Txx=See Drawings

4-6. Bottom Configuration

B00=None

Bxx=See Drawings

7. Color

Y=Yellow B=Gloss Blk F=Flat Blk

G=Dk Grn L=Light Grn Z=Bronze

X=Special N=None (natural finish)

8. Material

(Hanger, Balance Adjuster,
Wire Entrance Head, Hub)

F=Iron A=Aluminum

S=Aluminum w/SS bushings

B=Brass

9. Spacing

1=17" Center-to-Center (8.5" radius)

2=21" Center-to-Center (10.5" radius)

3=16.5" Center-to-Center (8.25" radius)

X=Special

10. Hanger

N=None

Option#>	1	2	3	4	5	6	7	8
Size	6"	6"	6"	6"	9"	9"	9"	9"
Bolt Style	U	U	L	L	U	U	L	L
Hdw Matl	Plt	SS	Plt	SS	Plt	SS	Plt	SS
Hgr Matl	Iron or Alum				Iron or Brnz			

11. Balance Adjuster

N=None

E=EZ Balance Adj.

Option #>	1	2	3	4
Eye Bolt Matl	Stl	Stl	Brs	Brs
Hdwr Matl	Plt	SS	Plt	SS

12. Wire Entrance Head

Y=Male N=None

2=Fem w/nipple Z=Lg open fem w/nipple

3=Fem w/2' drop pipe,tether

4=Lg open Fem w/2' drop pipe,tether

1=Alum Eyelet, Two 1" CGB

13. Nut Package for WEH

1=1 Nut (use w/crosses, threaded hubs)

2=Nut/Washer/Gasket/Nut

3=Nut/Washer/Gasket/Split Ring/Nut

4=Nut/Lead Washer/Nut

5=LkRng/Nut/Shlk/Wsh/Gsk/Nut/LkRng

N=None X=Special

Nipples & Fittings

14. Nipple Material

F=Steel A=Aluminum

15. Fitting Material

F=Iron A=Alum G=Galv, Hot Dip

16. Shurlock Method

1=Ring, Plastic 2=Ring, Alum

3=Ring, Bronze 4=Integral to Fitting

17. Fitting Set Screws

N=Without Set Screws

Y=With Set Screws

18. Fitting Lock Nipple

F=Lock Nipple, Iron

A=Lock Nipple, Alum

B=Lock Nipple, Brass

N=All Thread with Nut, Iron

T=Tri-Stud (Alum fittings only)

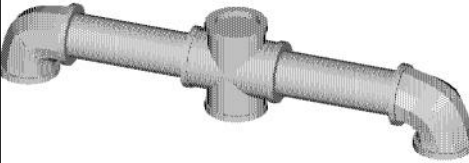
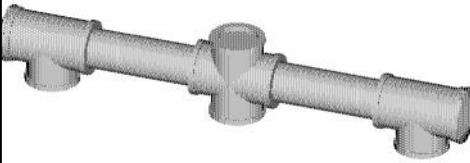
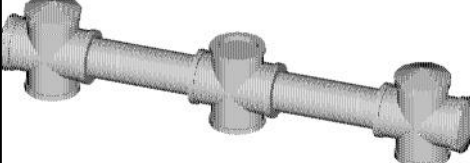

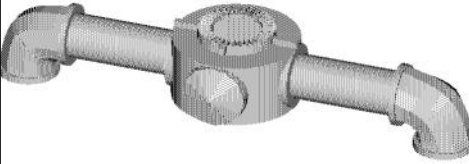
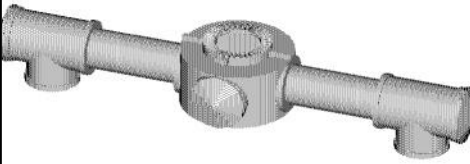
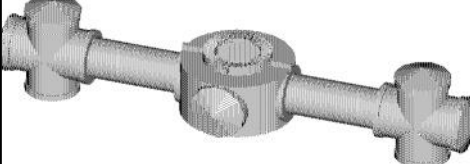

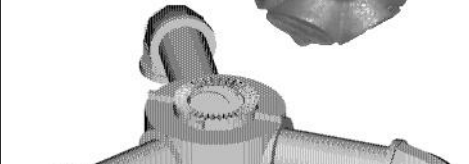
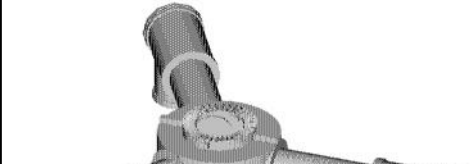
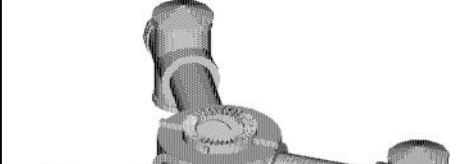
S=Tri-Stud, SS washer

19. Fitting Closures


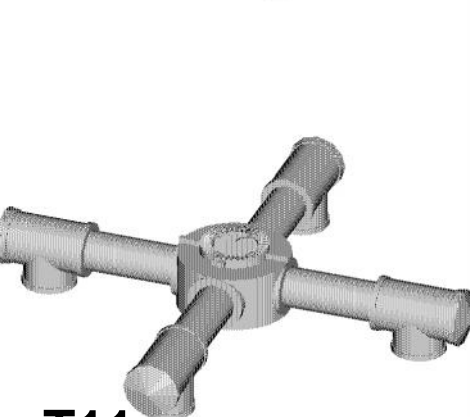
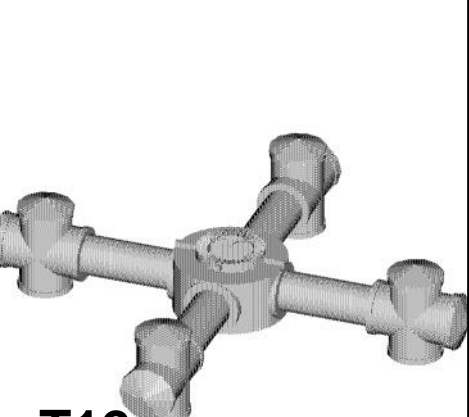
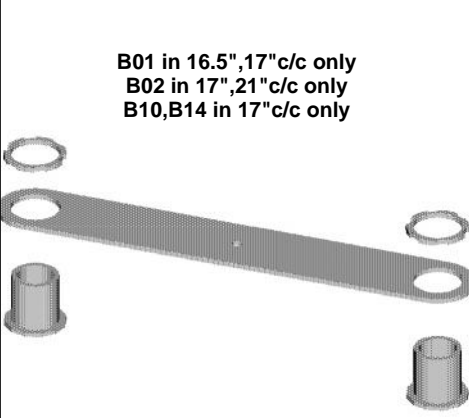
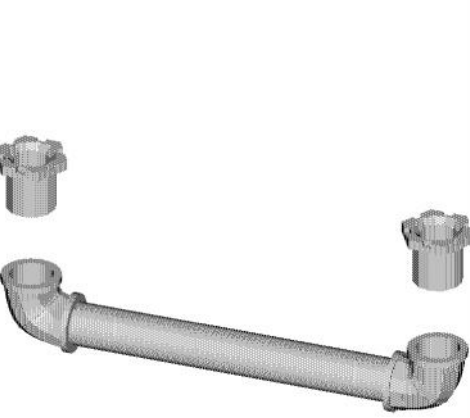
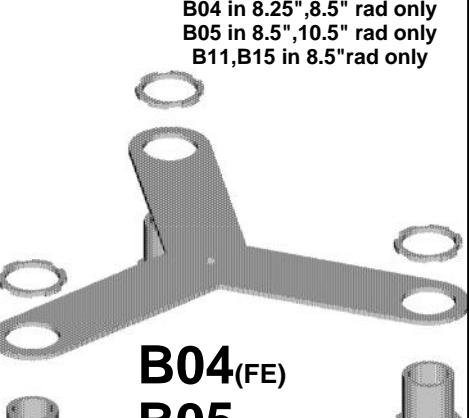
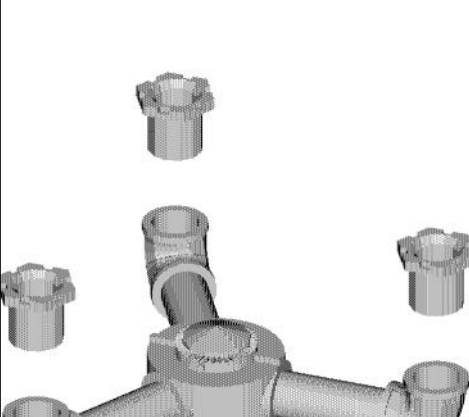
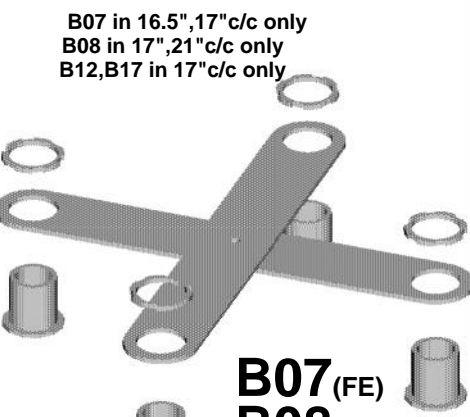
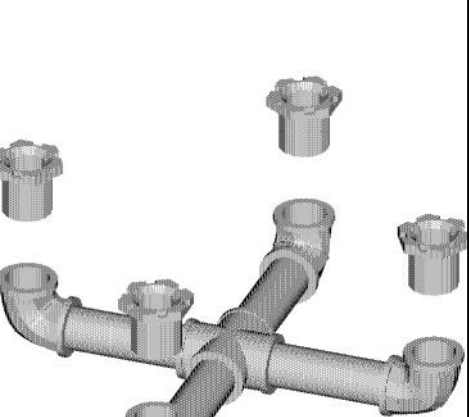
P=Plastic A=Aluminum

SPNFM	-				-					-					-					-					
Option Category ➔		1	2	3		4	5	6		7	8	9		10	11	12		13	14	15		16	17	18	19

Configurations: Span Wire Framework Multiway

 <p>T01</p>	 <p>T02</p>	 <p>T03</p>
<p>NPT Hub</p>   <p>T04(Slip round hub) T24(Thrd round hub) T34(Thrd (NPT) hub)</p>	 <p>T05(Slip round hub) T25(Thrd round hub) T35(Thrd (NPT) hub)</p>	 <p>T06(Slip round hub) T26(Thrd round hub) T36(Thrd (NPT) hub)</p>
<p>NPT Hub</p>   <p>T07 (Slip round hub) T27 (Thrd round hub) T37 (Thrd (NPT) hub)</p>	 <p>T08(Slip round hub) T28(Thrd round hub) T38(Thrd (NPT) hub)</p>	 <p>T09(Slip round hub) T29(Thrd round hub) T39(Thrd (NPT) hub)</p>

Configurations: Span Wire Framework Multiway

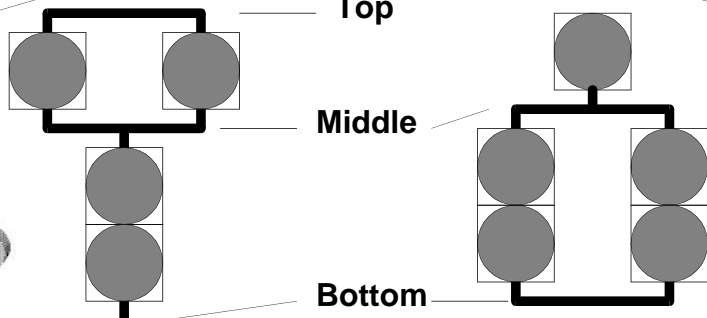
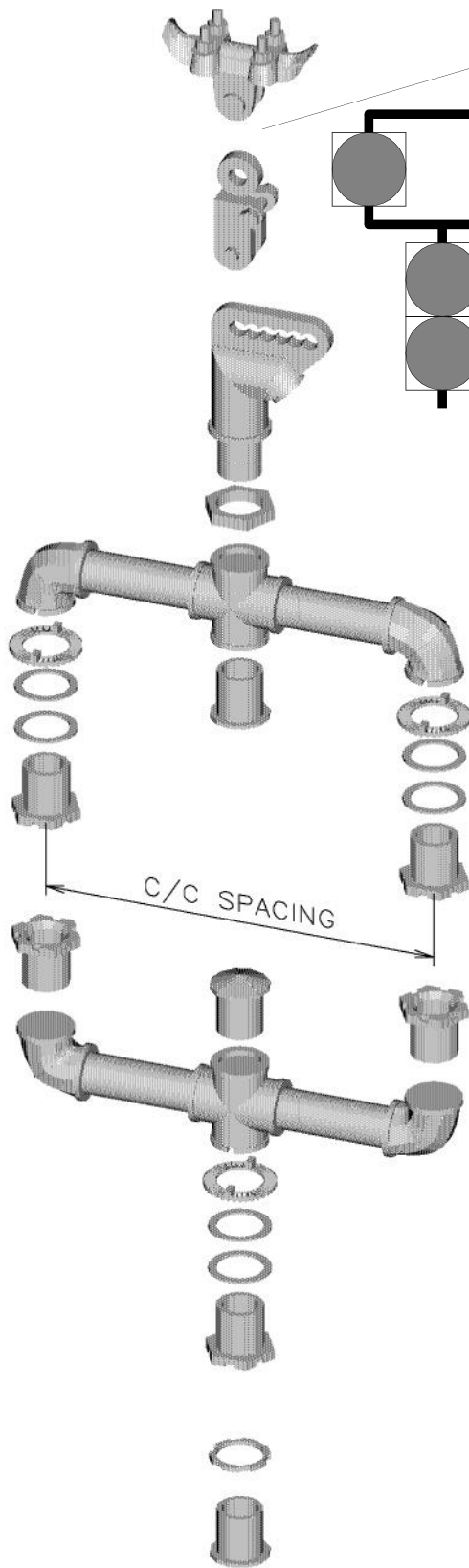
<p>NPT Hub</p>  <p>T10(Slip round hub) T20(Thrd round hub) T30(Thrd (NPT) hub)</p>	 <p>T11 (Slip round hub) T21 (Thrd round hub) T31 (Thrd (NPT) hub)</p>	 <p>T12(Slip round hub) T22(Thrd round hub) T32(Thrd (NPT) hub)</p>
<p>B01 in 16.5",17" c/c only B02 in 17",21" c/c only B10,B14 in 17" c/c only</p>  <p>B01(FE) B14(FE-tristud) B02(AL) B10(AL-tristud)</p>	 <p>B03(Elbows) B13(Tees)</p>	<p>B04 in 8.25",8.5" rad only B05 in 8.5",10.5" rad only B11,B15 in 8.5" rad only</p>  <p>B04(FE) B05(AL) B11(AL-tristud) B15(FE-tristud)</p>
 <p>B06(Elbows) B16(Crosses)</p>	<p>B07 in 16.5",17" c/c only B08 in 17",21" c/c only B12,B17 in 17" c/c only</p>  <p>B07(FE) B08(AL) B12(AL-tristud) B17(FE-tristud)</p>	 <p>B09(Elbows) B19(Crosses)</p>

Span Wire Clusters

Style "A"

Style "B"

See Span Wire Drop-Tether section for drop tether options



Top Assembly

None

Middle Assembly

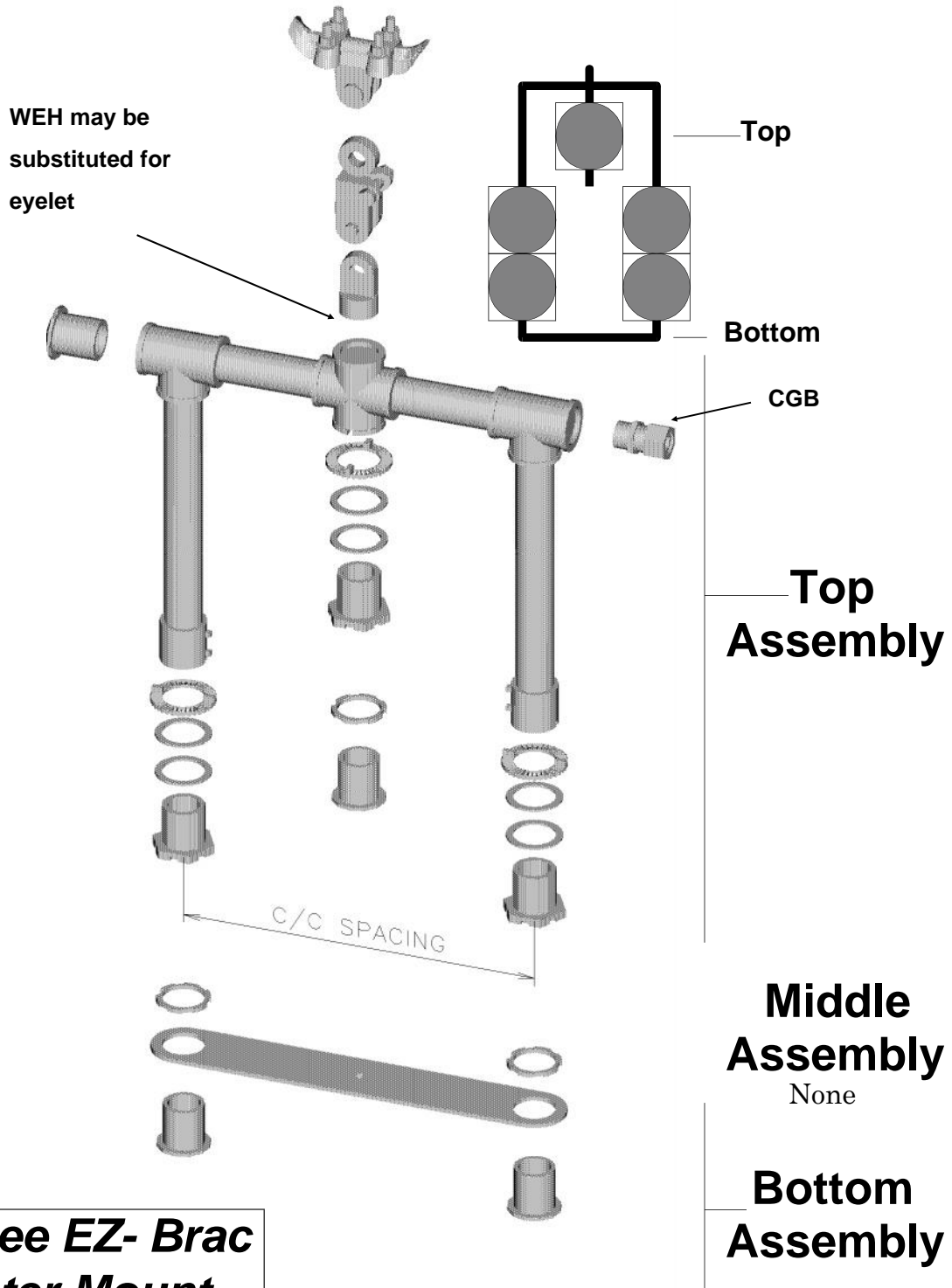
Bottom Assembly



Tristud fittings available

Span Wire Clusters

Style "C"



**Also see EZ- Brac
Cluster Mount**

Configuration

1. Basic Style

A="Dolly Parton"

B="Dog House"

C="Dog House 2"

Note: Consult Table for allowable combinations of Top,Middle,Bottom Configurations. ***Not all combinations are available.***

2-3. Top Configuration

00=None

01=Framework,Cross,w/Elbows

02=Framework,Cross,w/Tees

03=Framework,Cross,w/Crosses

04=Framework,Slip Hub,w/Elbows

34=Framework,Threaded Hub,w/Elbows

05=Framework,Slip Hub,w/Tees

35=Framework,Threaded Hub,w/Tees

06=Framework,Slip Hub,w/Crosses

36=Framework,Threaded Hub,w/Crosses

07=Framework,Cross,w/Tees,
balance adapter or WEH,
decorative cap closure

08=Same as 07 except with
plastic plug closure

09=Tri-Stud 2-Way Top (Casting)
(17"c/c only)

4-5. Middle Configuration

00=None

XX=Same Choices as

Top Configuration

6-7. Bottom Configuration

00=None

20=Flat Spanner,Steel,w/Closures

21=Flat Spanner,Alum,w/Closures

27=Flat Spanner,Alum,Tri-stud

28=Flat Spanner,Steel,Tri-stud

22=Framework,w/Elbows

23=Monostud 2 Way Bottom

24=Decorative Cap Closure, Alum

25=Plastic Plug

26=Molded Plastic Sealing Cap

8. Color

Y=Yellow B=Gloss Blk F=Flat Blk

G=Dk Grn L=Light Grn Z=Bronze

X=Special N=None (natural finish)

9. Material

(Hanger,Balance Adjuster,
Wire Entrance Head,Hub)

F=Iron

A=Aluminum

S=Aluminum w/SS bushings

B=Brass

10. Spacing

1=17" Center-to-Center
(8.5" radius)

2=21" Center-to-Center
(10.5" radius)

3=16.5" Center-to-Center
(8.25" radius)

X=Special

Options:

Traffic Parts, Inc.

Hanger Assembly

Note: For identification of these items, please refer to "Span Wire Framework Multiway"

11. Hanger

N=None

Option#>	1	2	3	4	5	6	7	8
Size	6"	6"	6"	6"	9"	9"	9"	9"
Bolt Style	U	U	L	L	U	U	L	L
Hdw Matl	Plt	SS	Plt	SS	Plt	SS	Plt	SS
Hgr Matl	Iron or Alum				Iron or Brnz			

12. Balance Adjuster

N=None E=EZ Bal Adjuster

Option #>	1	2	3	4
Eye Bolt Matl	Stl	Stl	Brs	Brs
Hdwr Matl	Plt	SS	Plt	SS

13. Wire Entrance Head

See Span Wire One-Way for illustrations

If selected, will replace eyelet and CGB on style "C"

T=Tri-Stud F=Female M=Male

N=No WEH, eyelet+CGB on style "C"

X=No WEH, no eyelet, no CGB

14. Wire Entrance Head

Nut Package

1=1 Nut

2=Washer/Gasket/2Nuts

3=Washer/Gasket/Split Ring/2 Nuts

4=Lead Washer/2 Nuts

N=None X=Special

Nipples & Fittings

15. Nipple Material

F=Steel A=Aluminum

N=Not applicable to cast tri-stud

16. Fitting Material

F=Iron A=Alum G=Hot Dip Galv

17. Shurlock Method

1=Separate Ring, Plastic

2=Separate Ring, Alum

3=Separate Ring, Bronze

4=Integral to Fitting

18. Fitting Set Screws

N=Without Set Screws

Y=With Set Screws

19. Fitting Lock Nipple

F=Lock Nipple, Iron

A=Lock Nipple, Alum

B=Lock Nipple, Brass

N=All Thread with Nut, Iron

T=Tri-Stud (Alum fittings only)

S=Tri-Stud, SS washer

20. Fitting Closures

P=Plastic

A=Aluminum

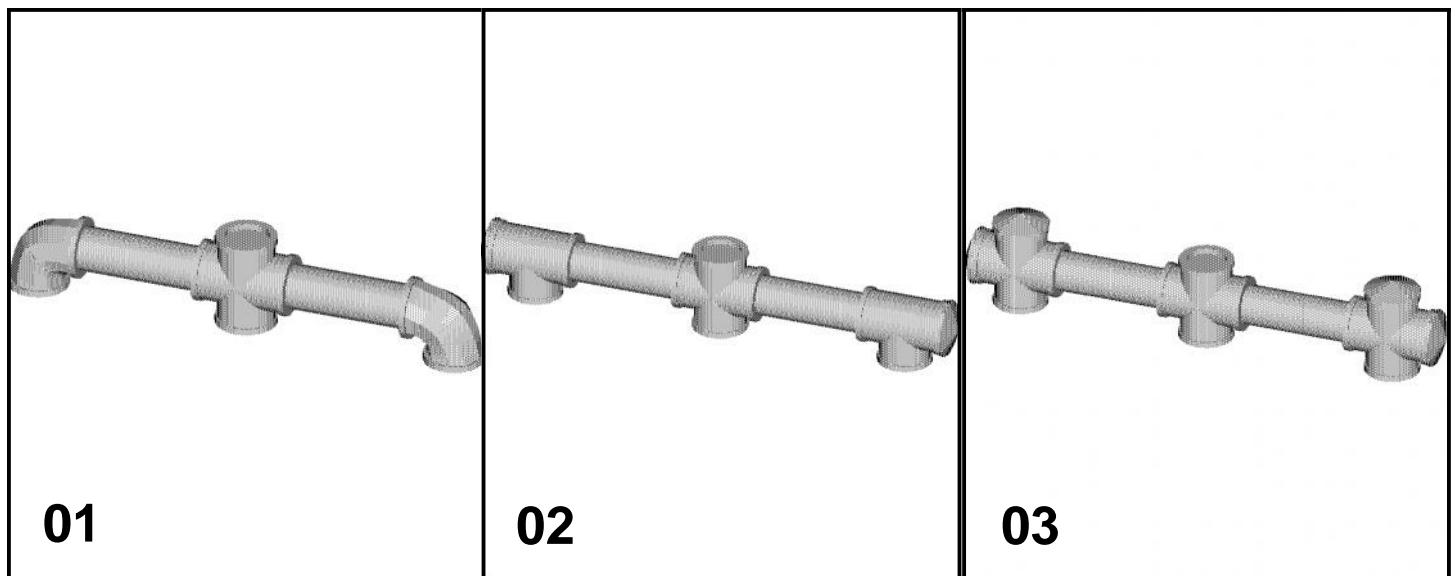
Note: Clusters may also be Mast Arm mounted. Order a cluster assembly and a mast arm assembly.

CLUST	-				-					-					-					-										
<i>Option Category</i> ➔		1	2	3		4	5	6		7	8	9		10	11	12		13	14	15		16	17	18	19	20				

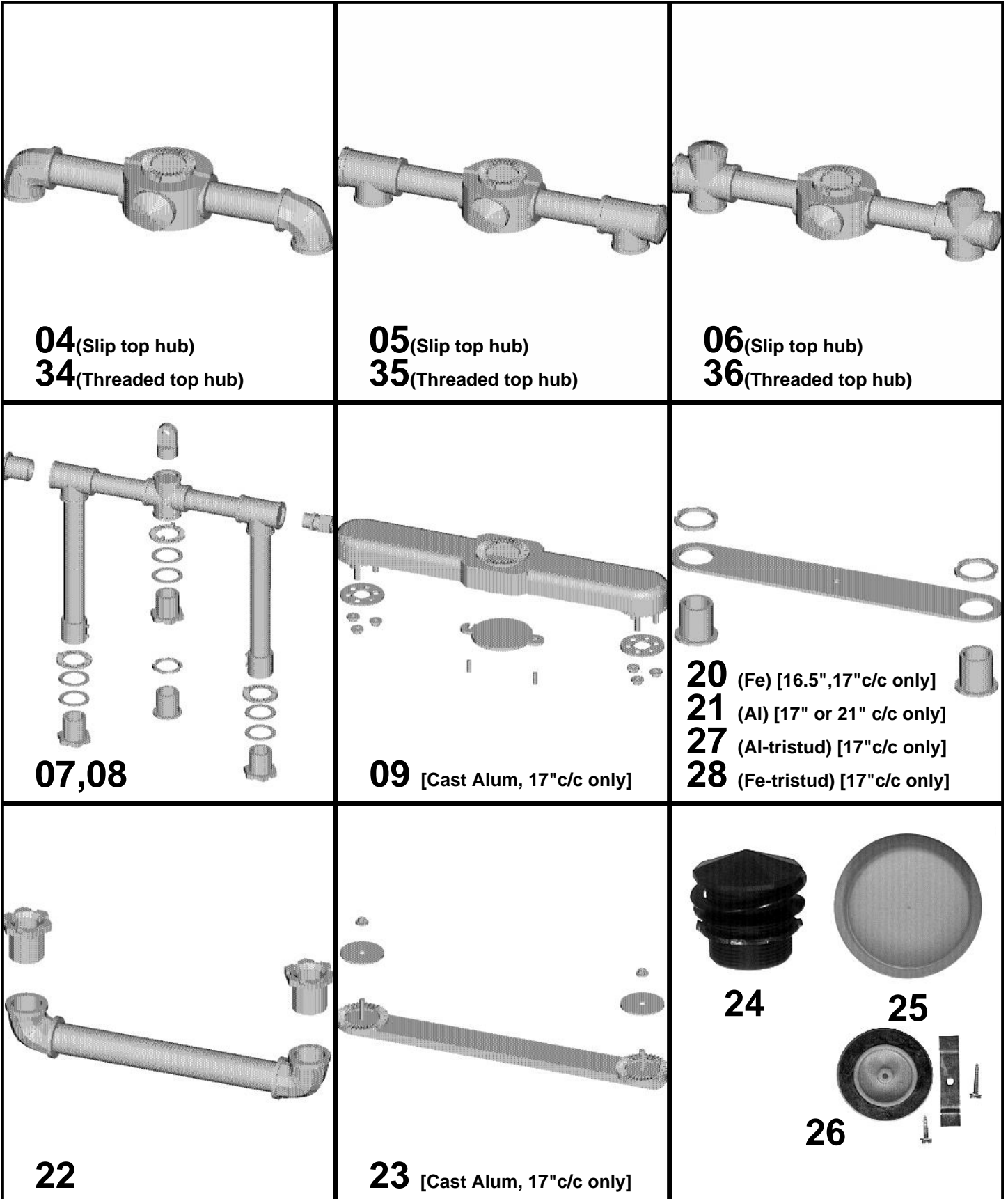
Configurations: Span Wire Clusters

Available Configuration Combinations:

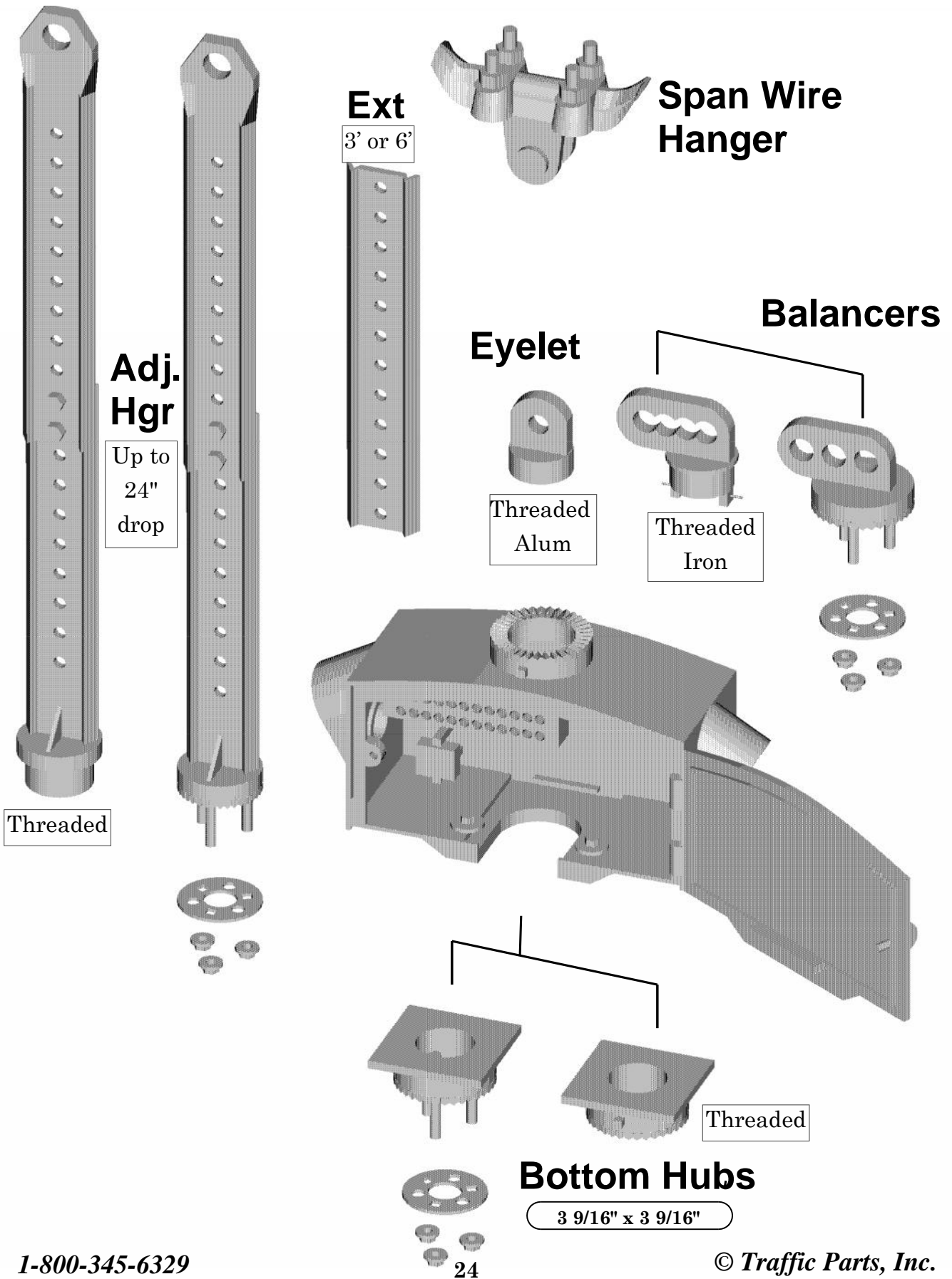
	Style A			Style B			Style C		
	Top	Middle	Bottom	Top	Middle	Bottom	Top	Middle	Bottom
00				X				X	
01	X	X			X				
02	X	X			X				
03	X	X			X				
04,34	X	X			X				
05,35	X	X			X				
06,36	X	X			X				
07							X		
08							X		
09	X	X			X				
20						X			X
21						X			X
22						X			X
23						X			X
24			X						
25			X						
26			X						
27						X			X
28						X			X



Configurations: Span Wire Clusters



Span Wire Disconnect Hanger



Options:	Traffic Parts, Inc.
-----------------	----------------------------

Hanger Configuration

1. Span Wire Hanger Type

N=None

Option#>	1	2	3	4	5	6	7	8
Size	6"	6"	6"	6"	9"	9"	9"	9"
Bolt Style	U	U	L	L	U	U	L	L
Hdw Matl	Plt	SS	Plt	SS	Plt	SS	Plt	SS
Hgr Matl	Iron or Alum				Iron or Brnz			

2. Span Wire Hanger Material

F=Iron A=Aluminum B=Brass

Disconnect Housing

3. Body Top Configuration

T=Threaded top, no eyelet or balancer

R=2" Reamed top, no eyelet or balancer

Option# for Tristud->	1	2	3	4	5	6	7	8	9
Option # for Thrd->				A	B	C	D	E	F
Thread Eyelet,Al	X								
Thread Balancer,Iron		X							
Tri-Stud Balancer,Al			X						
Adj. Hanger,Al 4-9=Tristud Hgr A-F=Threaded Hgr				X	X	X	X	X	X
Non breakaway tether clamp				X		X		X	
Breakaway tether clamp					X		X		X
3' extension,Al						X	X		
6' extension, Al								X	X

4. Stainless Steel Bushings/ Tristud Washers

N=None required

A=SS bushings

T=SS Tristud washer

B=Both

5. Side Entry Grommet

A=EPDM (Rubber) Bushing

B=Phenolic Bushing

C=3/4" CGB D=1" CGB

6. Terminal Block/Socket Type

N=No terminal block or socket

Option#>	1	2	3	4	5	6
# Circuits	12	12	12	18	18	18
Socket Type	M	F	N	M	F	N
(Female is standard)	M=Male,F=Female N=No Socket, Block only					

7. Body Bottom Configuration

1=1 1/2" Threaded Hub, Al

2=1 1/2" Thrd Hub, Al, w/2" Lock nipple

3= Tri-Stud Hub, Al

P=Blank Plate (Al) N=None

8. Color

Y=Yellow B=Gloss Blk F=Flat Blk

G=Dk Grn L=Light Grn Z=Bronze

X=Special N=None (natural finish)

Accessories

9. Harness

Consists of appropriate Male/Female socket as determined by Terminal Block Selection and tagged wire harness for connecting signal head.

1=48" wires 2=72" wires

N=None X=Special length wires

10. Bottom Closures (Signal)

1=Plastic Plug N=None

2=Alum Closure w/locking

3=Molded Plastic Sealing Cap

DHANG	-				-					-				-					
<i>Option Category</i> ➔	1	2	3	4	5	6	7	8	9	10	11	12	13	14	15	16	17	18	19

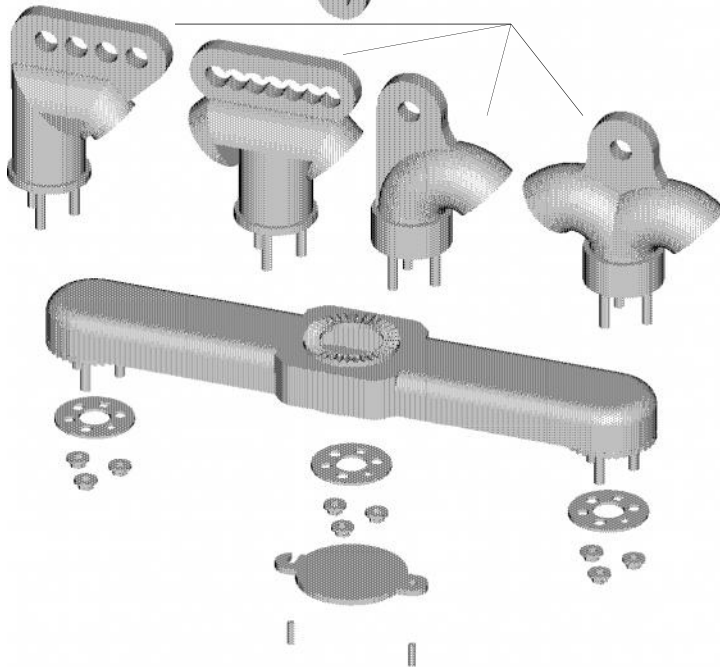
Span Wire Tri-Stud Multiway

Hanger

Balance Adjuster

See Span Wire Drop-Tether section for drop tether options

Wire Entrance Head



Note: Spacing=17" C/C (8.5" radius)
2" cluster spacing

Bottom Assembly

Tristud WEH with adapter fin for drop tether available — Please see Drop Tether Assemblies Section

Cast Monostud bottoms available for 2w,3w,4w

1. Color

Y=Yellow B=Gloss Blk F=Flat Blk
G=Dk Grn L=Light Grn Z=Bronze
X=Special N=None (natural finish)

2. # Directions

2=2-way 3=3-way 4=4-way C=Cluster
Bottom Only: X=2wy Y=3wy Z=4wy

3. Hanger

N=None

Option #>	1	2	3	4
Size	6"	6"	6"	6"
Bolt Style	U	U	L	L
Hdwr Matl	Plt	SS	Plt	SS

4. Material

A=Aluminum S=Al, w/SS bushings

5. Balance Adjuster

N=None E=EZ Balance Adj.

Option #>	1	2	3	4
Eye Bolt Matl	Stl	Stl	Brs	Brs
Hdwr Matl	Plt	SS	Plt	SS

6. Wire Entr Head (*=No grommet)

Y=Std 4-hole Z=Lg opening N=None
1*=1 Hole 2*=2w,1 Hole 3=2w,comb
V=2' drop pipe/teth W=2' dpipe,lg open

7. Bottom Assembly

1=Flat Steel Spanner, w/Alum Closures
2=Flat Alum Spanner, w/Alum Closures
4=Flat Alum Spanner, Tri-stud
5=Flat Steel Spanner, Tri-stud
3=Monostud casting N=None X=Special

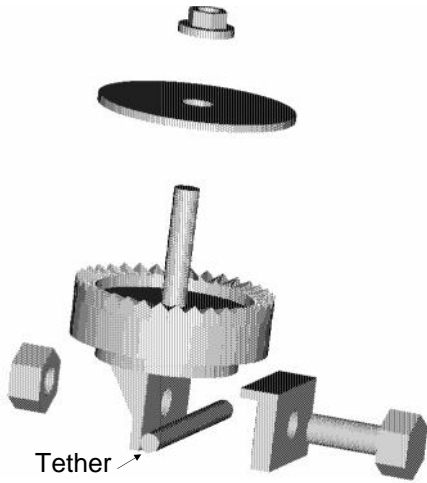
8. Tri-stud kit Material

P=Plated steel S=Stainless steel

SPNTM	-				-					-			
Option Category →		1	2	3		4	5	6		7	8		

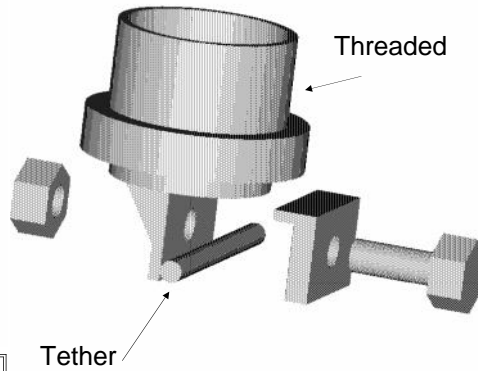
Tether Clamp Assemblies

Monostud/Tristud Breakaway Type



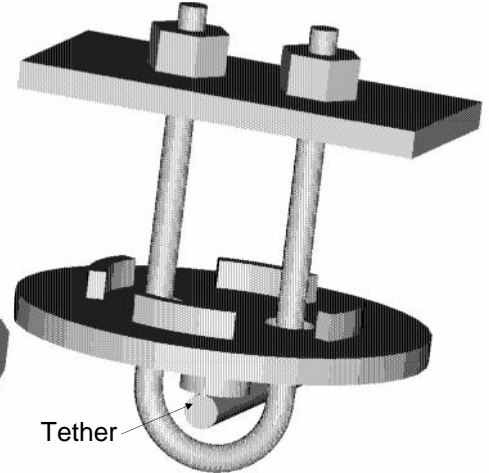
Hdwr	Monostud	Tristud
Pltd	#5146	#6788
SS	#6197	#6789

1.5" Nipple Breakaway Type



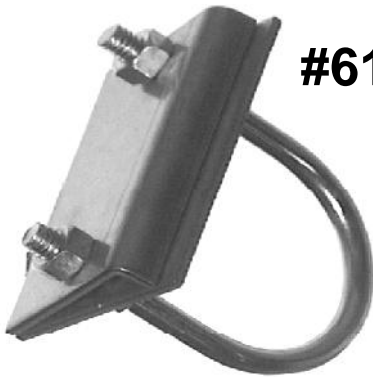
#6709 — All SS hdwr

U-Bolt Non-Breakaway

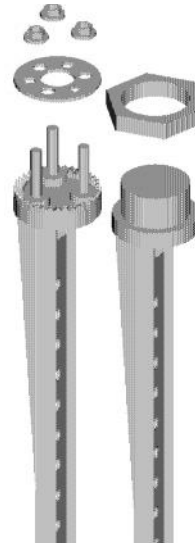


#5145

1.5" (2"OD) Pipe Breakaway/Non-Breakaway



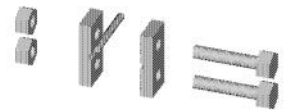
#6118



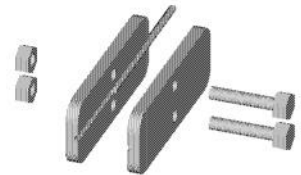
12" Drop Adjustable



Breakaway tether



Non-Breakaway tether

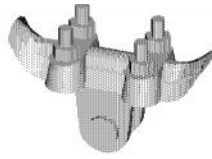


Non-Breakaway tether, 6"

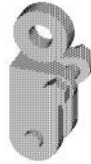
	Tristud	1.5" Nipple
Breakaway Types		
Pltd hdwr	#5147	#1745
SS hdwr	#6198	#1746
Non-Breakaway Types		
Pltd hdwr	#1603	#1747
SS hdwr	#6199	#1748
6" Non-Breakaway Types		
Pltd hdwr	#6727	#1749
SS hdwr	#6728	#1750

Span Wire Drop Tether

Tubing models supplied with combination breakaway/non-breakaway tether clamp; specify overall length from eyelet hole to eyelet hole



Hanger

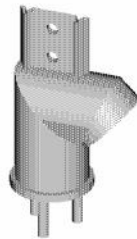


Balance Adjuster

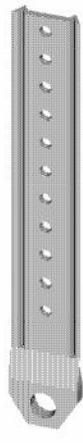


"F", "A"

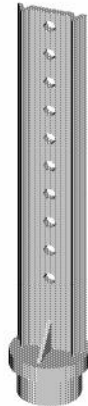
Standard Adjustable models provide up to 24" drop with choice of bottom configuration and tether type. Extensions sold separately: 36" (#4834) and 72" (#4267)



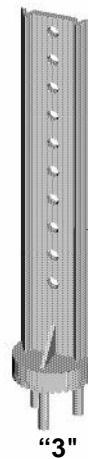
"W"



"1"



"2"

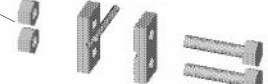


"3"



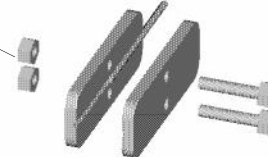
Breakaway tether

"B"



Non-Breakaway tether

"N"



Non-Breakaway tether, 6"

"L"



"Y"

Optional AI yoke/eyelet



"L"

Optional AI locknut



"E"

Options:

Traffic Parts, Inc.

1. Color

Y=Yellow B=Gloss Blk F=Flat Blk
 G=Dk Grn L=Light Grn Z=Bronze
 X=Special N=None (natural finish)

Hanger/Balance Adjuster

2. Material

(Span wire hanger, Bal Adj)
 F=Iron A=Aluminum B=Brass
 S=Aluminum w/SS bushings
 C=Brass w/iron locknipple
 Z=Iron w/brass locknipple

3. Hanger

N=None

Option#>	1	2	3	4	5	6	7	8
Size	6"	6"	6"	6"	9"	9"	9"	9"
Bolt Style	U	U	L	L	U	U	L	L
Hdw Matl	Plt	SS	Plt	SS	Plt	SS	Plt	SS
Hgr Matl	Iron or Alum				Iron or Brnz			

4. Balance Adjuster

N=None E=EZ Balance Adjuster

Option #>	1	2	3	4
Eye Bolt Matl	Stl	Stl	Brs	Brs
Hdwr Matl	Plt	SS	Plt	SS

Drop Assembly

5. Type

F=Galv Tube, Al Eyelet top/bottom
 W=Drop tether WEH
 A=Alum Tube, Al Eyelet top/bottom
 1=Adjustable, Alum, Plain bottom
 Y=Adjustable, Alum,w/Alum Yoke
 E=Adj, Alum,w/Alum Yoke, w/eyelet
 2= Adjustable, Alum, 1.5"NPSL
 L= Adj, Alum, 1.5"NPSL w/Al locknut
 3=Adjustable, Alum, Tristud

6. Tether Type

B=Breakaway
 N=Non Breakaway, Standard
 L=Non Breakaway, 6" Wide

7-8. Drop Length (inches)

nn=Tube type (Specify overall length
 from eyelet hole to eyelet hole)
 18" for WEH

Misc Options

9. SS Bushings

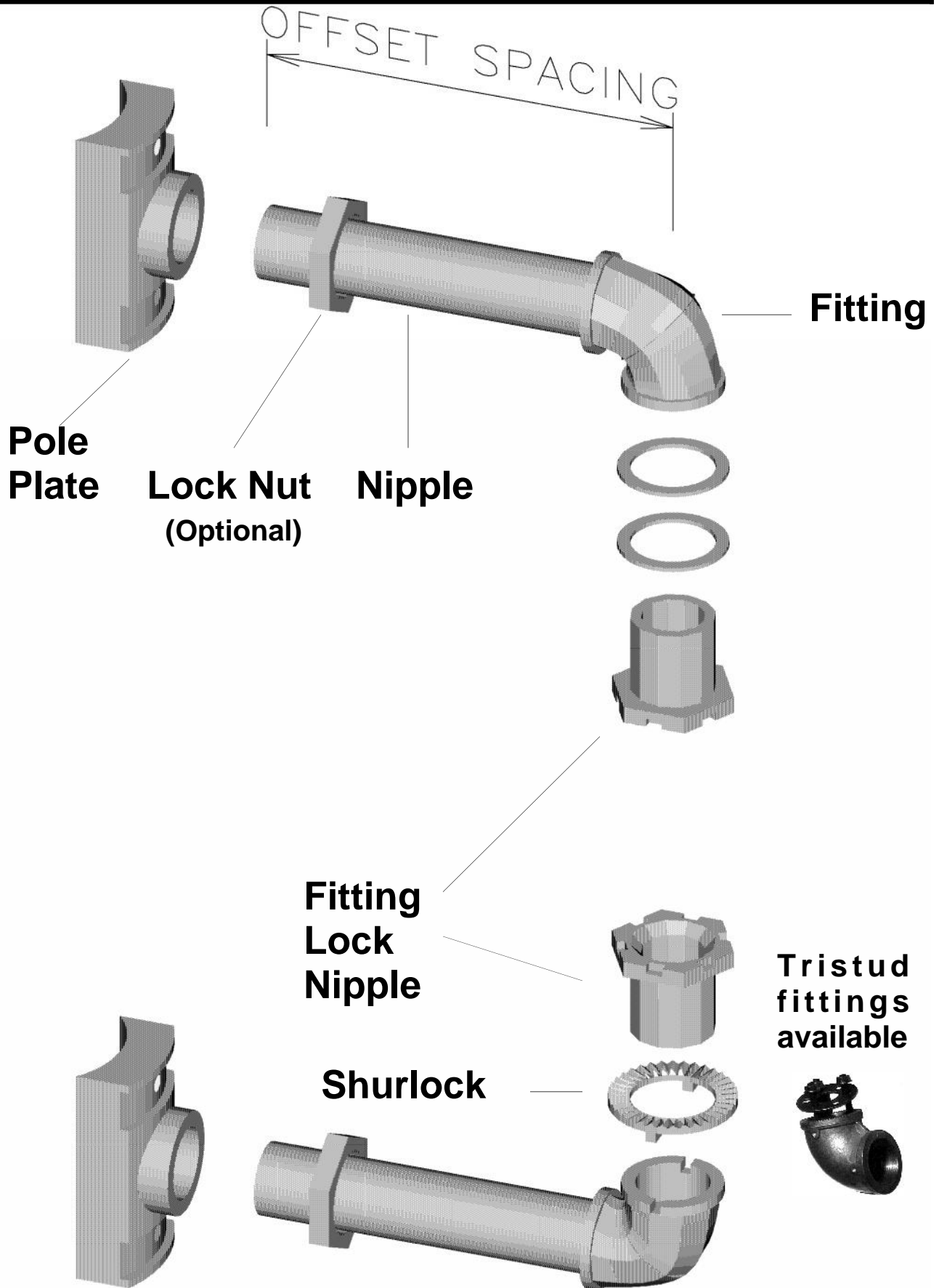
N=None on Drop Assembly items
 S=On all Drop Assembly items

10. Hardware

P=Plated hardware (all items)
 S=SS hardware (all items)

DTETH	-				-					-					-										
Option Category →		1	2	3		4	5	6		7	8	9		10	11	12		13	14	15		16	17	18	19

Side of Pole Framework



Options:

Traffic Parts, Inc.

Configuration

1-2. Arm Configuration

(See Drawings)

3. Color

Y=Yellow B=Gloss Blk F=Flat Blk
 G=Dk Grn L=Light Grn Z=Bronze
 X=Special N=None (natural finish)

4. Spacing (inches)

X=Special

	1	2	3	4	5	6
Offset	11	11	12	6	6	12
C/C	8.5	10.5	10.5	10.5	8.5	8.5

5. Adjustable (for tapered poles)

N=Not applicable
 1=With 2" nipple threads, lock nut
 2=With 2" nipple threads, no lock nut

Nipples & Fittings

6. Nipple Material

F=Iron A=Aluminum

7. Fitting Material

F=Iron A=Aluminum
 G=Galvanized, Hot Dip

8. Shurlock Method

Shurlock location ->		Bot only	Top & Bot
Separate Ring	Plastic	1	A
	Alum	2	B
	Bronze	3	C
Integral to fitting		4	D

9. Fitting Set Screws

N=Without Set Screws
 Y=With Set Screws

10. Fitting Lock Nipple

F=1 5/8" Lock Nipple, Iron
 A=1 5/8" Lock Nipple, Alum
 B=1 5/8" Lock Nipple, Brass
 N=All Thread with Nut, Iron
 T=Tri-Stud (Alum fittings only)
 S=Tri-Stud, SS washer

Pole Plate

11. Pole Plate Material

F=Iron A=Aluminum B=Bronze

12. Pole Plate Style

N=No Pole Plate
 1=Bandit, Plain, 4 1/2" Pole
 2=Bandit, Plain, 8" Pole
 3=Bandit, Narrow Back (Flat Pole)
 4=Bandit, w/Hub
 (one w/1 1/4" conduit entrance, one without)
 5=Bandit, w/Hub (Both w/1 1/4" conduit entrance)
 6=Hollow Pole (one w/cable guide, one without)
 7=Bandit, Flat Back
 8=Wooden Pole
 (both w/1 1/4" conduit entrance)
 9=Wooden Pole, without hub
 A=Ornamental Clamp, 4.5" Pole, 1-way
 B=Ornamental Clamp, 4.5" Pole, 2-way
 C=Ornamental Clamp, 3.5" Pole, 1-way
 D=U-bolt Clamp, 4.5" Pole
 E="Universal" Pole Plate

13. Pole Plate Set Screw

N=No set screw 1=One set screw

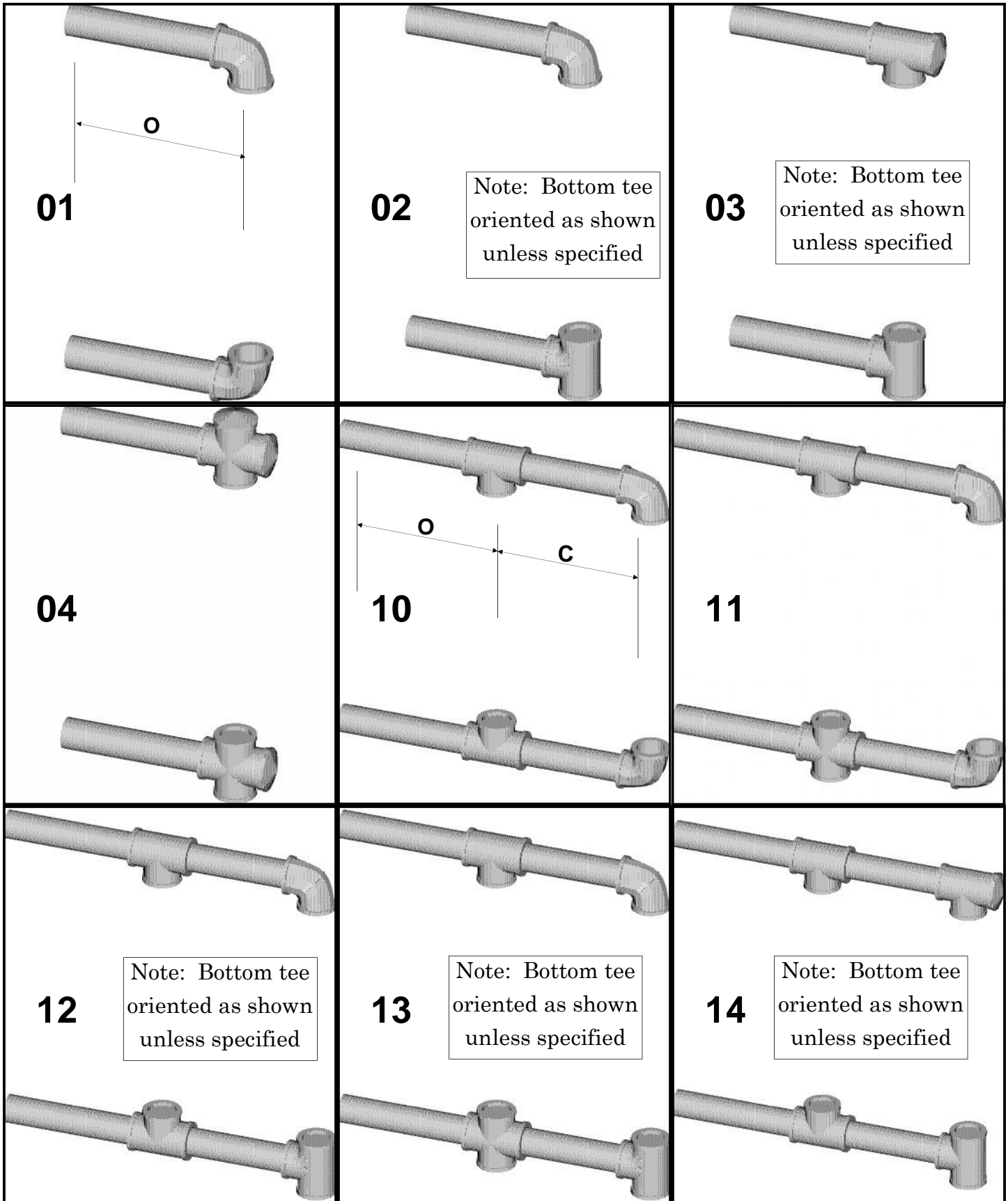
14. Fitting Closures

P=Plastic A=Aluminum

SIDE	-				-					-					-										
Option Category ➔		1	2	3		4	5	6		7	8	9		10	11	12		13	14	15		16	17	18	19

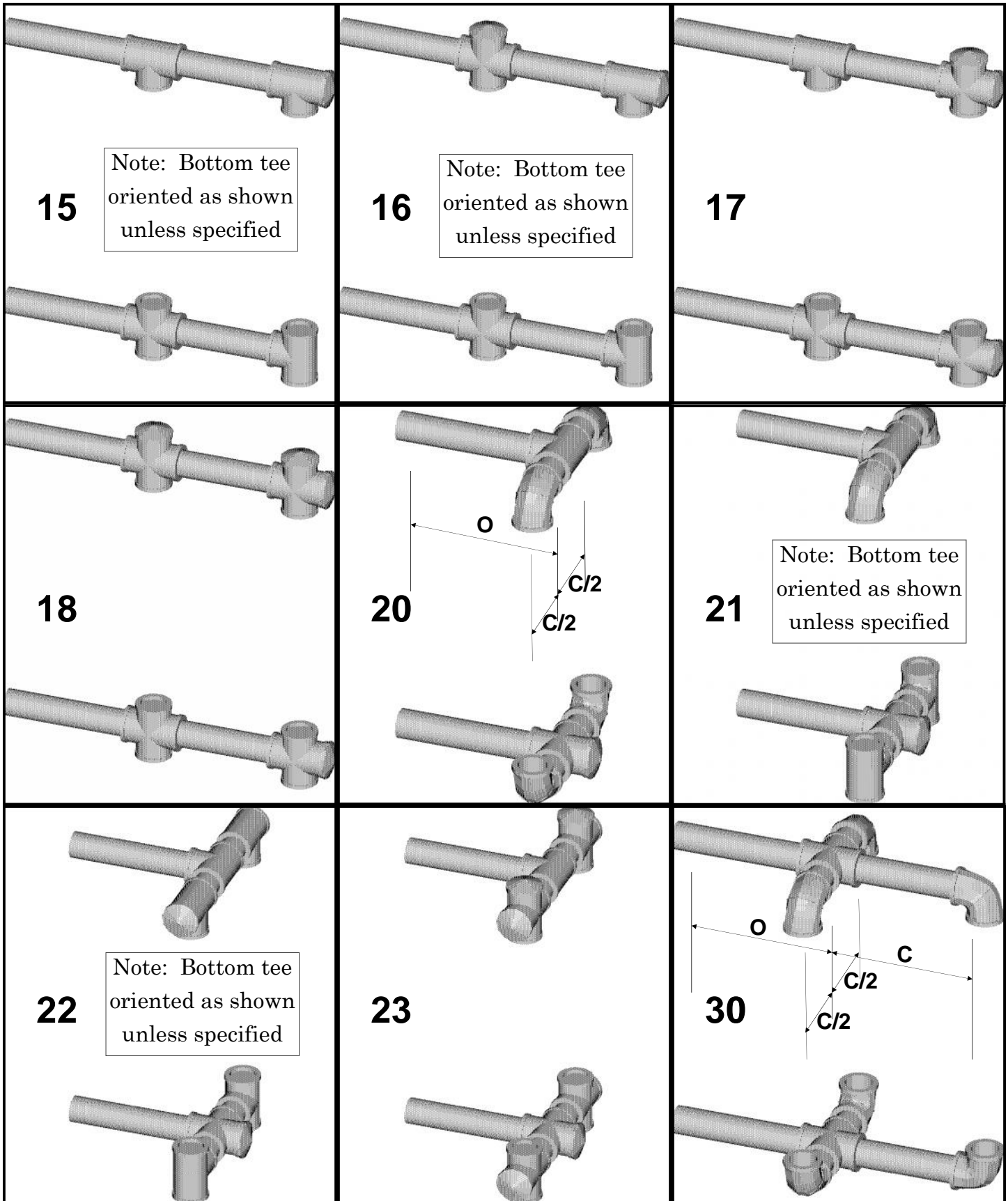
Configurations: Side of Pole Framework

O=Offset Spacing; C=C/C Spacing; C/2=1/2 C/C Spacing

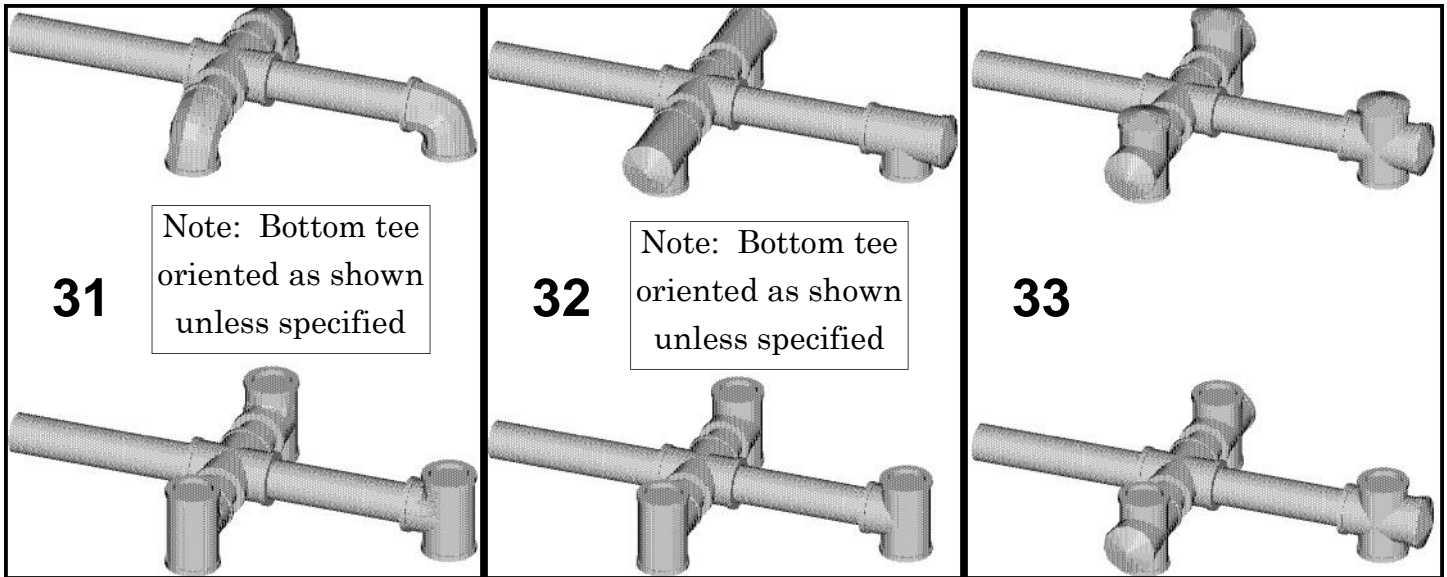


Configurations: Side of Pole Framework

O=Offset Spacing; C=C/C Spacing; C/2=1/2 C/C Spacing



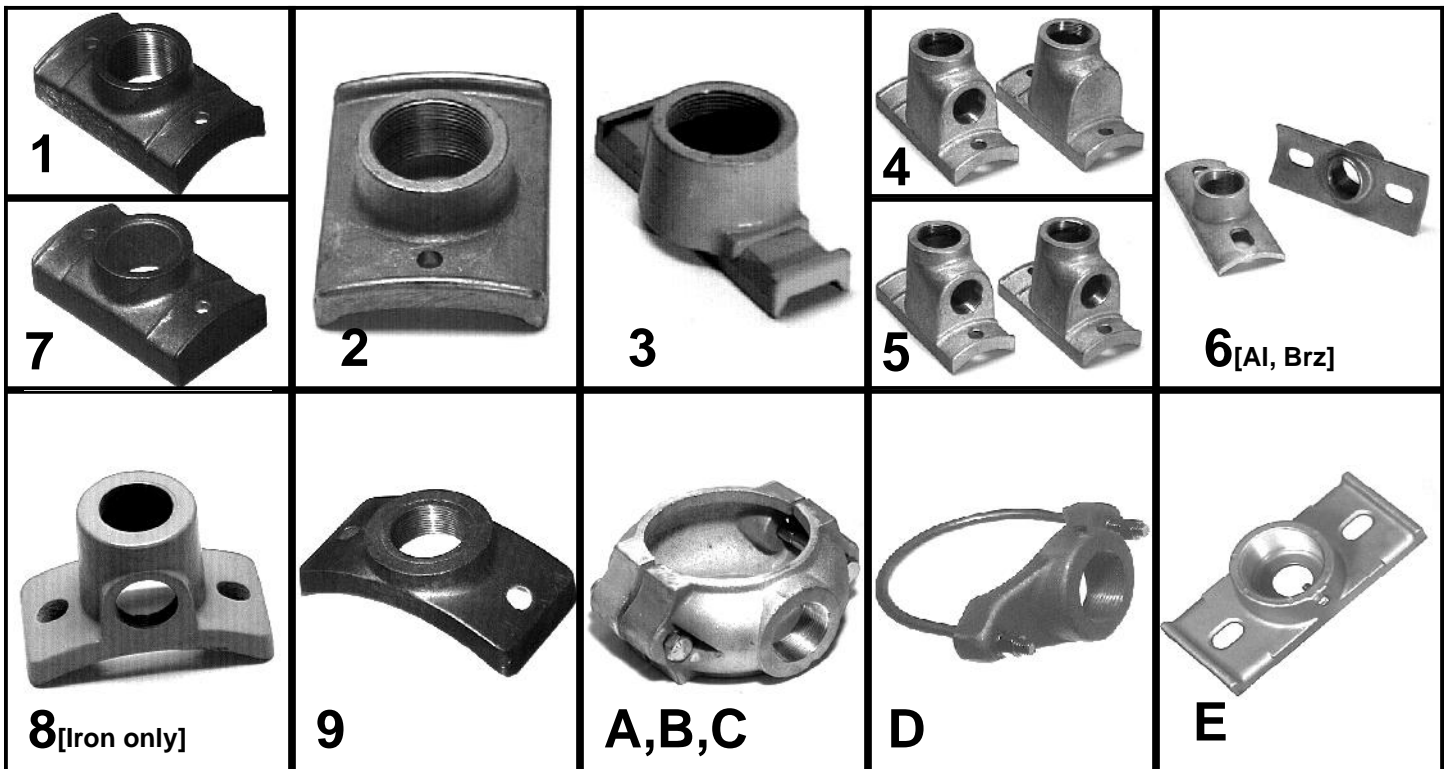
Configurations: Side of Pole Framework



Pole Plate Options

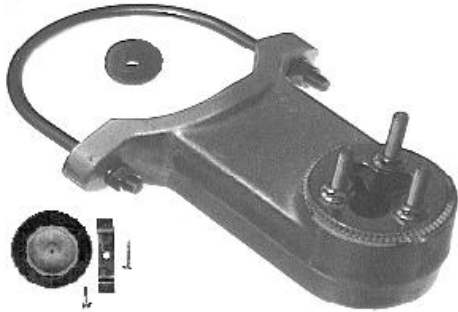
(Pictures do not reflect relative sizes)

[Available in Alum only unless noted]

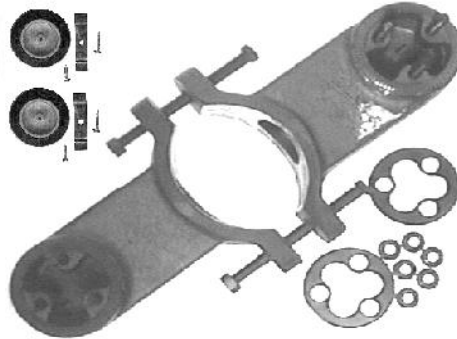


U-Bolt Mounts, 4.5" OD Pole

For 8"/12" signals



Signal Mount Assy w/grommet
and sealing cap
#7328 Nat finish,blk closure
#7534 Nat finish,blk closure,
SS hdwr
#6367 Yellow,yel closure



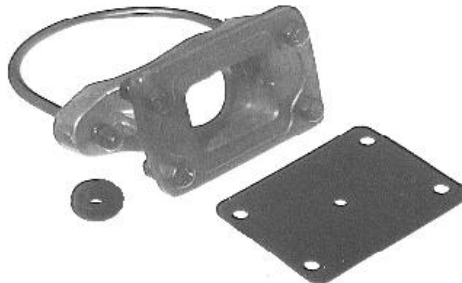
#7583 Two way signal
mount w/grommets and
sealing caps



#6167 Pole plate 1.5"
Threaded hub



Long bolt for thick wooden signs
#6168 Sign Mount,Set of two



#6368 Cabinet Mount w/Rub-
ber gasket,grommet



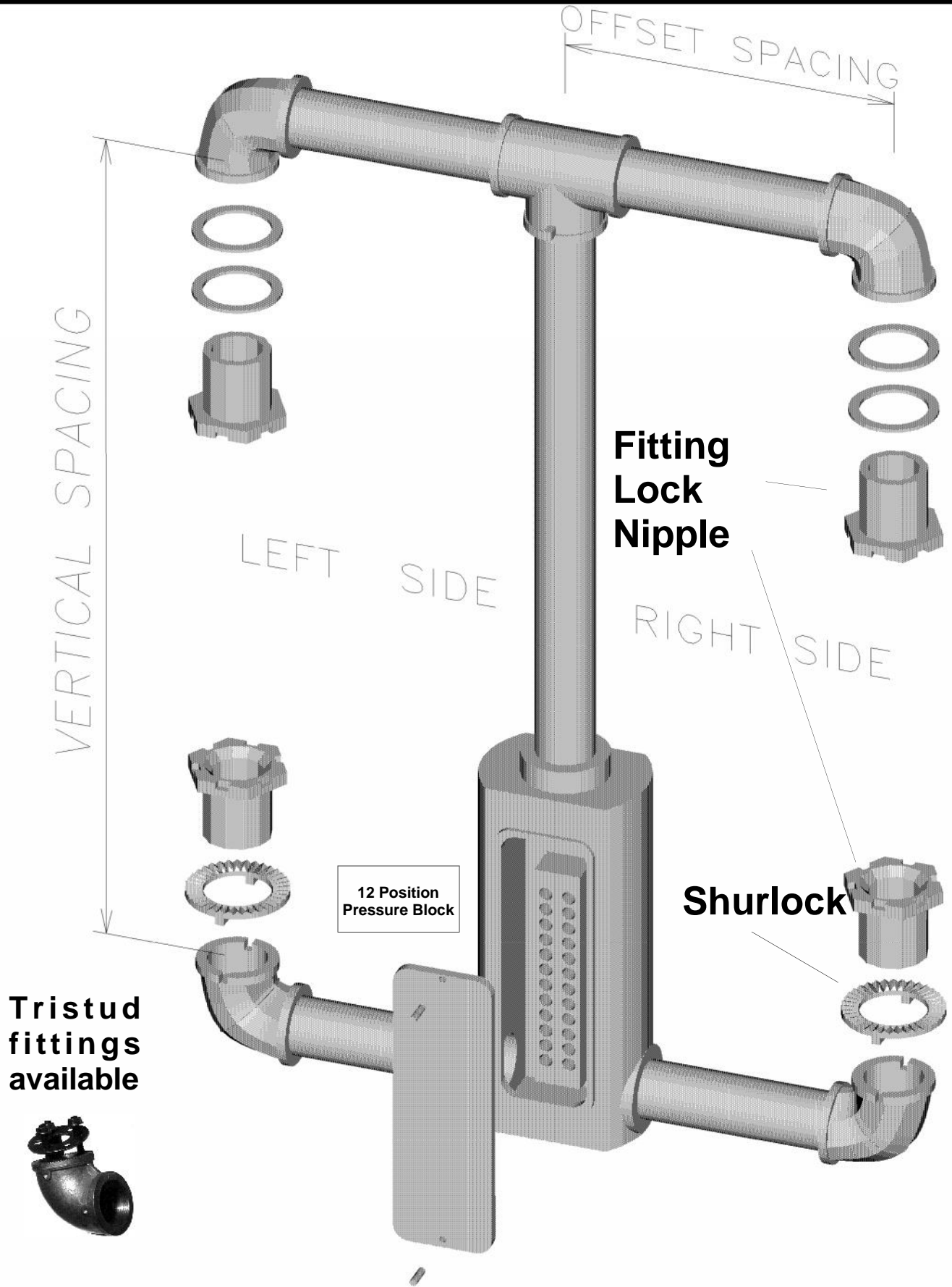
#6334 U-bolt
w/lkwsh+nut,SS

All assemblies feature
aluminum castings and
stainless steel U-bolts.



#6758 Vandal
Cones, YZ Plt

Side of Pole Terminal Compartment



Options:

Traffic Parts, Inc.

Configuration

1-3. Left of Door Configuration

L00=None Lxx=See Drawings

4-6. Right of Door Configuration

R00=None Rxx=See Drawings

7. Color

Y=Yellow B=Gloss Blk F=Flat Blk
 G=Dk Grn L=Light Grn Z=Bronze
 X=Special N=None (natural finish)

8. Terminal Comp Material

Blk type->	Pressure	Barrier	None
Iron	F	1	6
Alum	A	2	7
Brass	B	3	8

9. Spacing

1=10.5" Offset Spacing, 8.5" C/C
 (8" & 12" Signals)
 2=10.5" Offset Spacing, 10.5" C/C
 3=14.5" Offset Spacing, 10.5" C/C
 (Single Section Ped)
 X=Special

10. Vertical Spacing

1=40 1/2" (Std 3-sec 12" Signal)
 2=30" (Std 3-sec 8" Signal)
 3=16" (Std Single Sec Ped)
 4=27" (Std 2-sec 12" Ped)
 5=20" (Std 2-sec 9" Ped)
 6=67.5" (Std 5-sec 12" Signal)
 V=Variable (Each side different)
 X=Special

Nipples & Fittings

11. Nipples

F=Iron A=Aluminum

12. Fitting Material

F=Iron A=Aluminum
 G=Galvanized, Hot Dip

13. Shurlock Method

Shurlock location ->		Bot only	Top & Bot
Separate Ring	Plastic	1	A
	Alum	2	B
	Bronze	3	C
Integral to fitting		4	D

14. Fitting Set Screws

N=No Set Screws Y=With Set Screws

15. Fitting Lock Nipple

F=1 5/8" Lock Nipple, Iron
 A=1 5/8" Lock Nipple, Alum
 B=1 5/8" Lock Nipple, Brass
 N=All Thread with Nut, Iron
 T=Tri-stud (Alum fitting only)
 S=Tri-stud, SS washer

16. Terminal Comp Type

1=Saddle Back, Cable Entr Guide, Mounting Holes
 2=Saddle Back, Cable Entr Hole, Mounting Holes
 3=Flat Back, Cable Entr Guide, Mounting Holes
 4=Flat Back, Cable Entr Hole, Mounting Holes
 5=Flat Back, Plain (no holes)
 6=Flat Back, 1.5"NPSL hole, 4SS
 7=Flat Back, 2" hole only

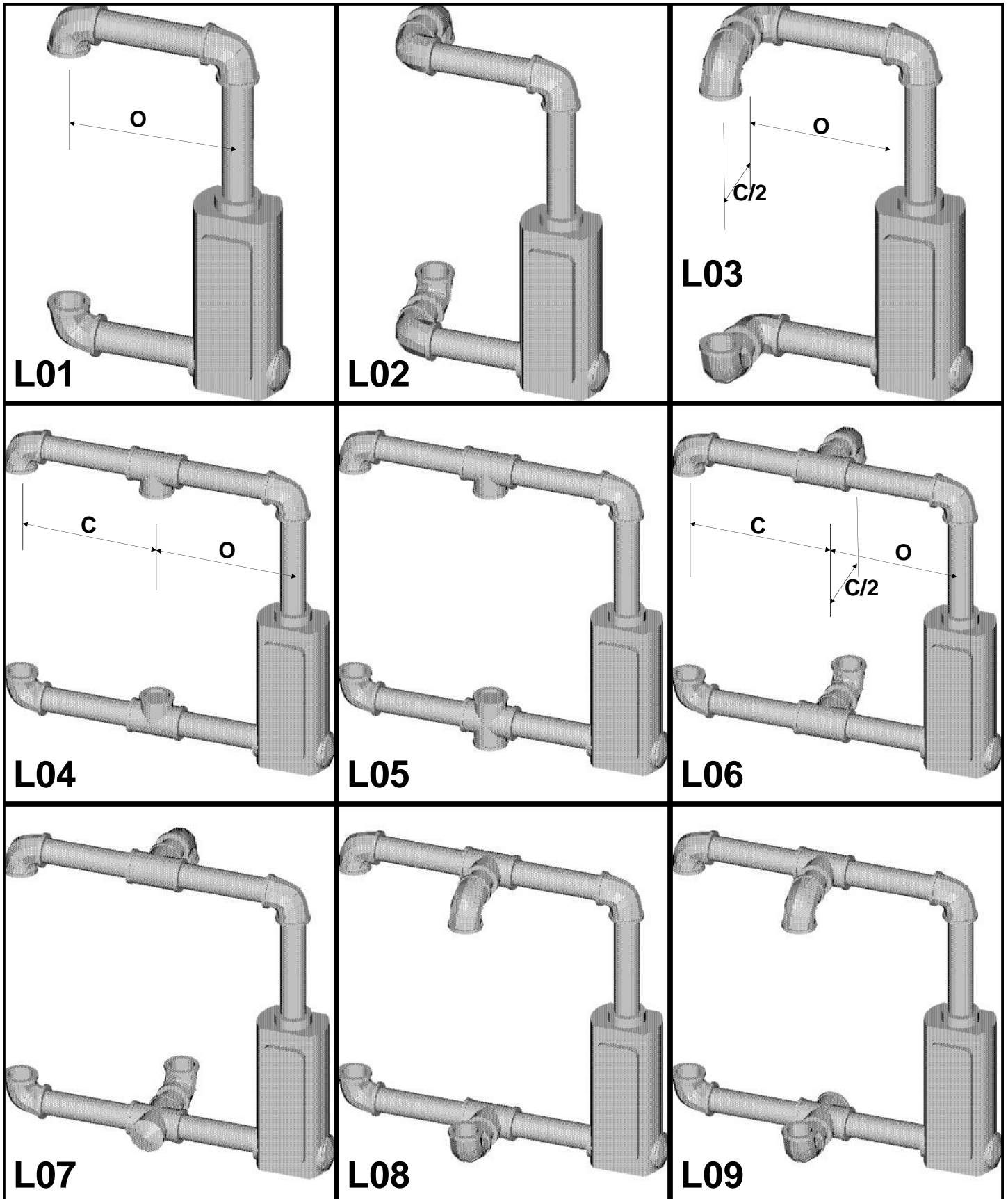
17. Fitting Closures

P=Plastic A=Aluminum

SIDTC	-	-	-	-	-	-	-	-	-	-	-	-	-	-	-	-	-	-	
Option Category	1	2	3	4	5	6	7	8	9	10	11	12	13	14	15	16	17	18	19

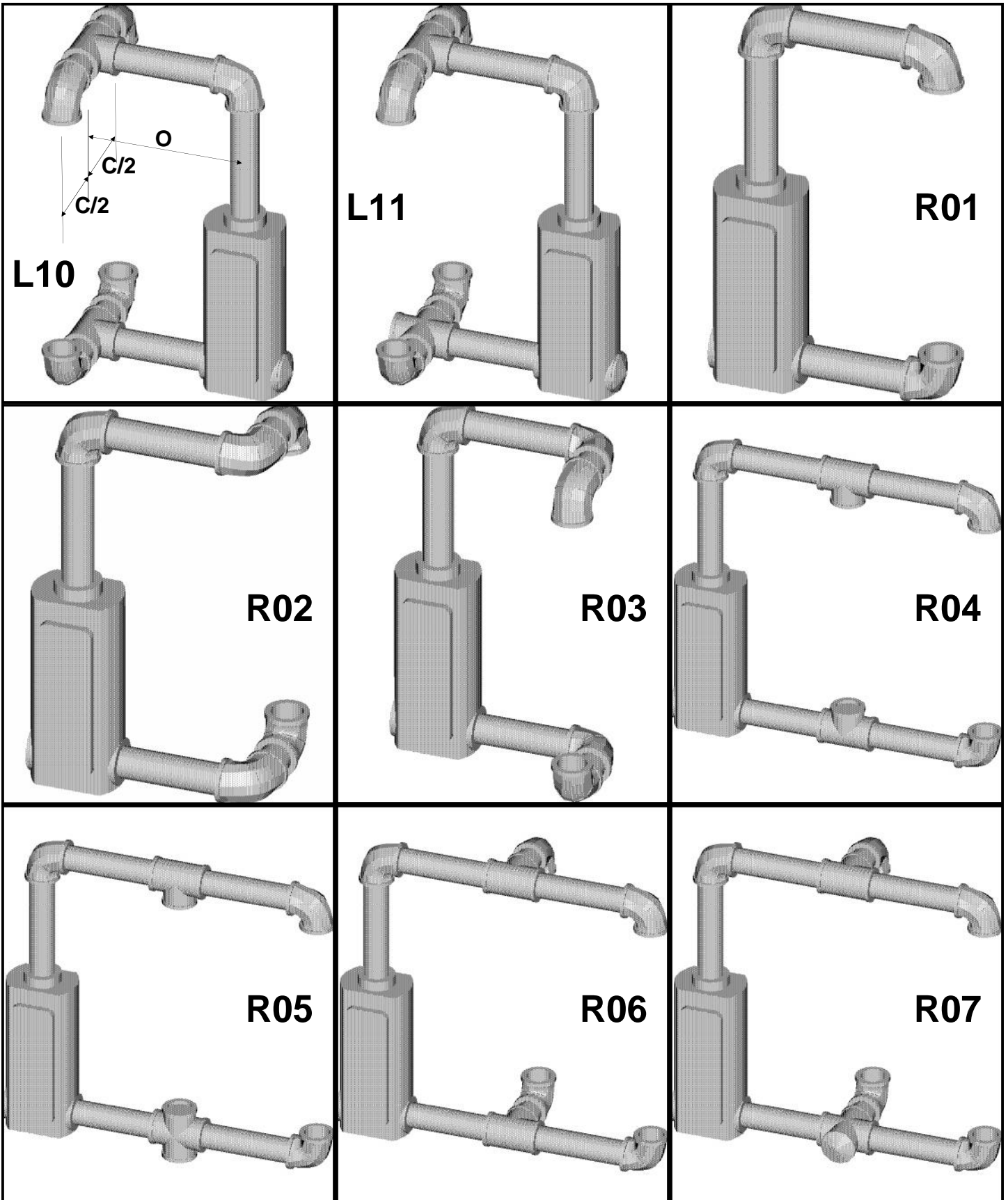
Configurations: Side of Pole Terminal Comp

O=Offset Spacing; C=C/C Spacing; C/2=1/2 C/C Spacing

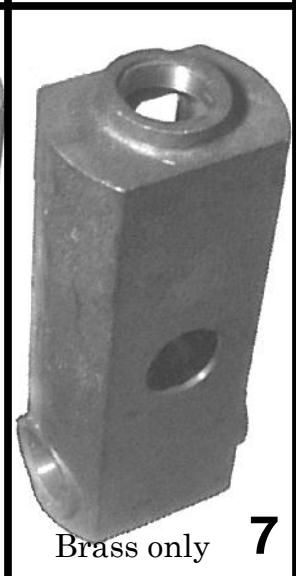
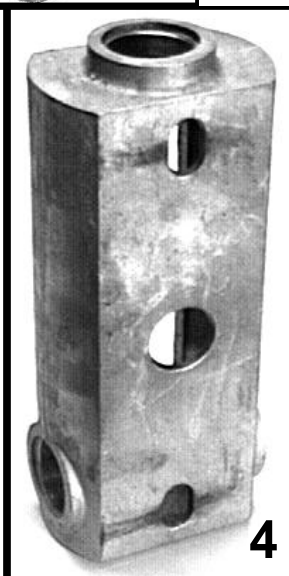
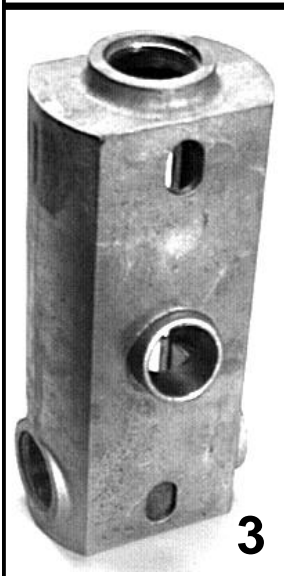
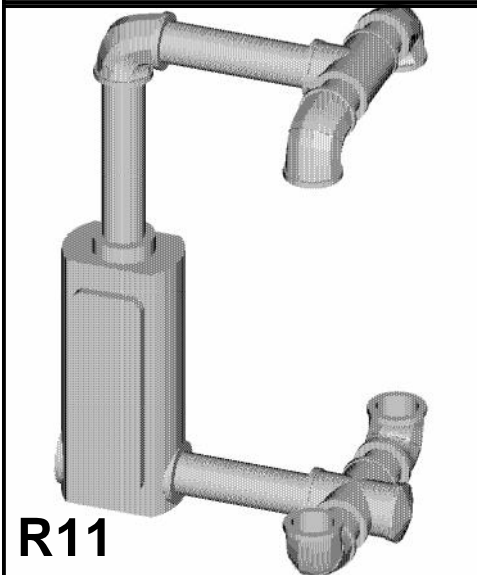
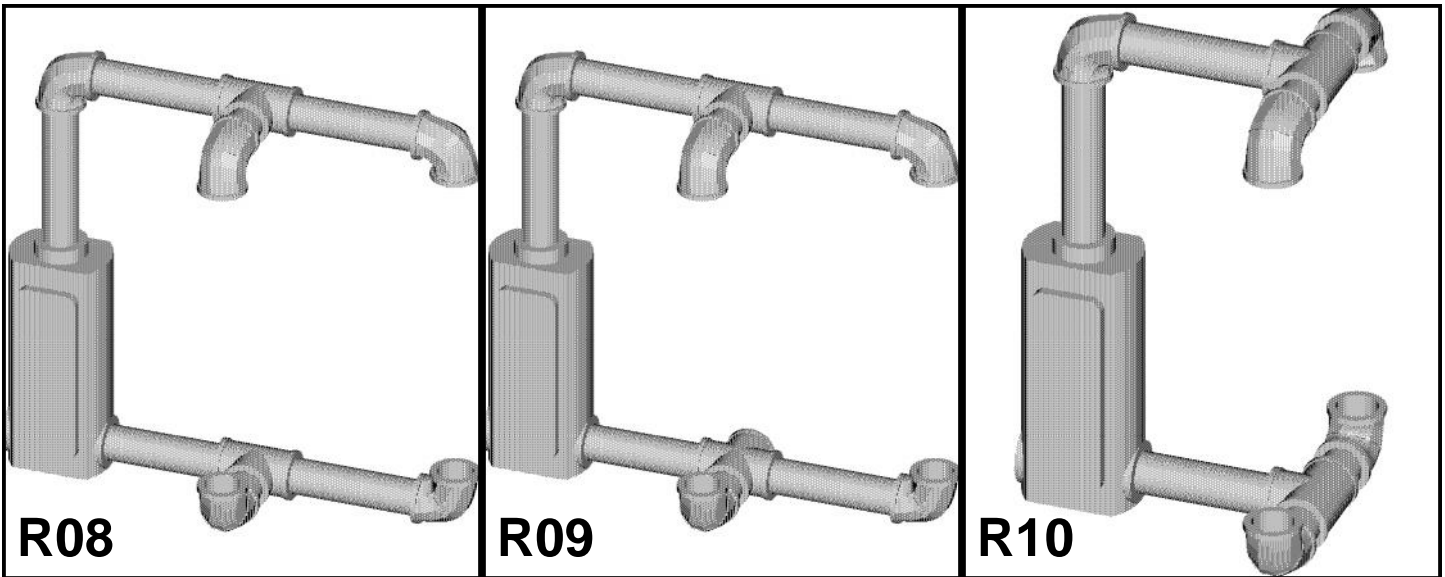


Configurations: Side of Pole Terminal Comp

O=Offset Spacing; C=C/C Spacing; C/2=1/2 C/C Spacing

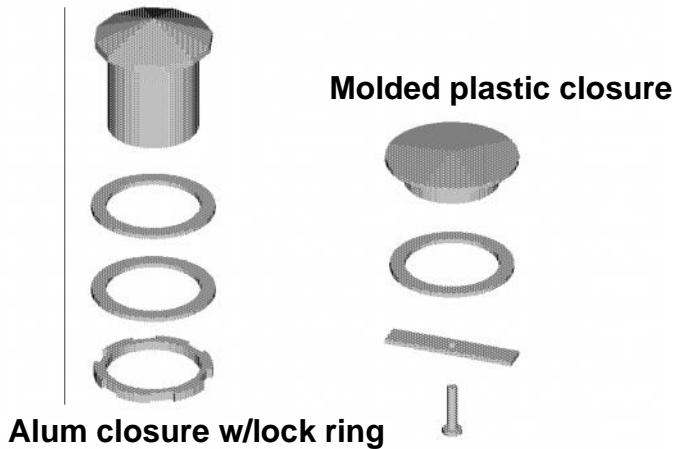


Configurations: Side of Pole Terminal Comp



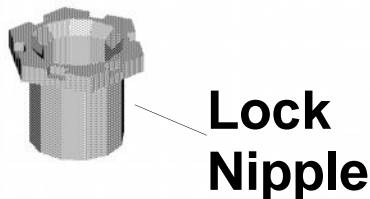
Post Top One Way

Top Closure

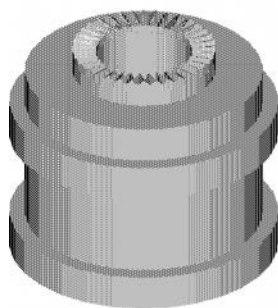


Alum closure w/lock ring

Molded plastic closure

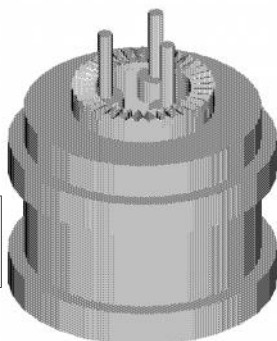


Lock Nipple



Threaded Hub

3/8" Leveling Screws



Tristud Hub

(For 3.5", 4.5" OD Poles)

1-800-345-6329

1. Color

Y=Yellow B=Gloss Blk F=Flat Blk
G=Dk Grn L=Light Grn Z=Bronze
X=Special N=None (natural finish)

2. Top Closure

1=Plastic 2=Alum N=None

3. Hub Material/Set Screws

# rows 3/8" set screws->	1	2
Iron	F	X
Alum	A	Y
Brass	B	Z

4. Hub Configuration

C=Center Mount, Threaded,
No Side Ports
P=Center Mount, Threaded,
4 Side ports w/plastic closures
A=Center Mount, Threaded,
4 Side ports w/alum closures
B=Center Mount, Threaded,
4 Side ports w/no closures
F=Offset Mount, Threaded,
No Side Ports
T=Center Mount, Tri-Stud,
No Side Ports (alum only)
2=Center Mount, Tri-Stud, 3.5" OD,
No Side Ports (alum only)

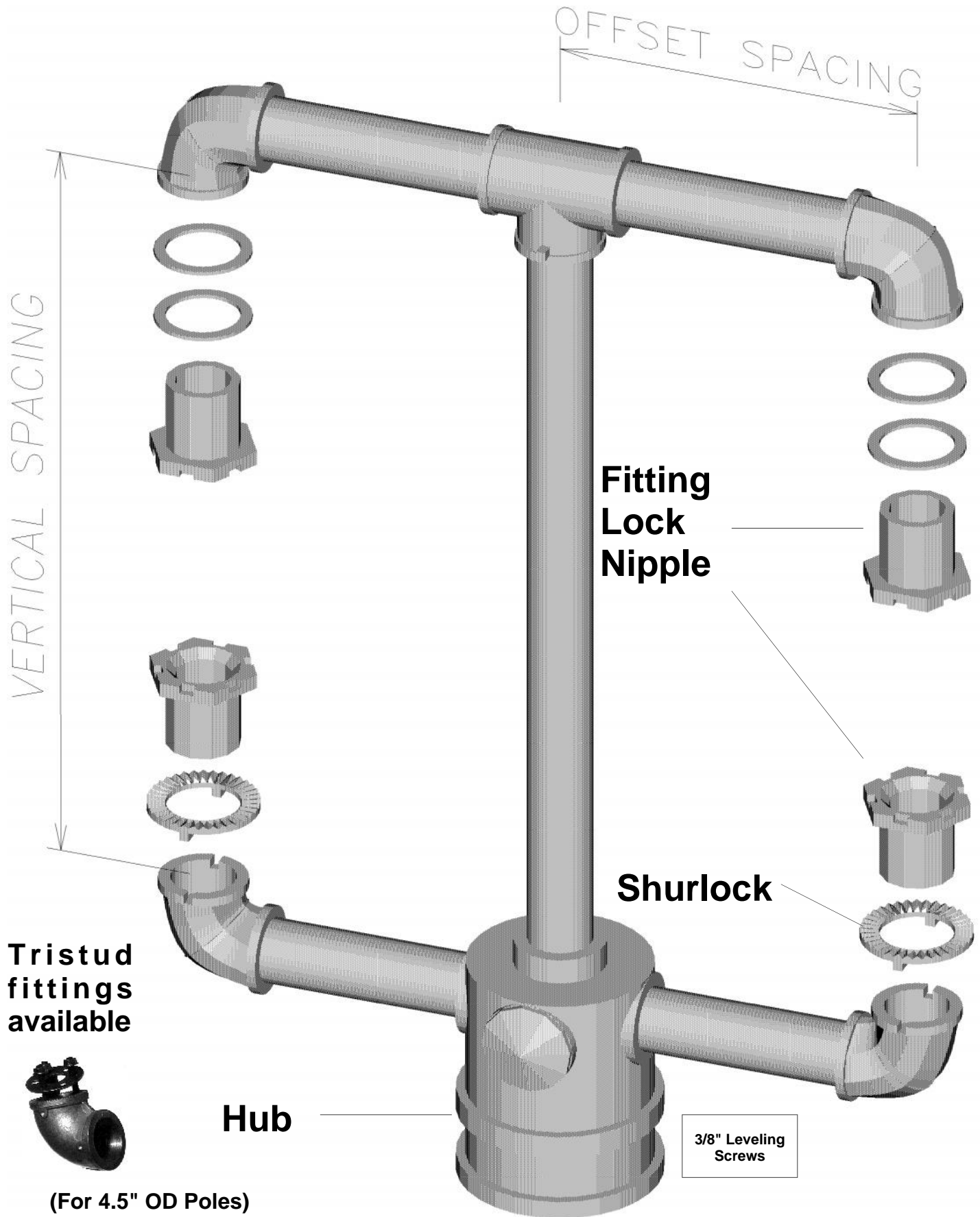
5. Lock Nipple (1 5/8")

F=Locknipple, Iron X=None
A=Locknipple, Alum
B=Locknipple, Brass
N=All Thread with Nut, Iron
T=Tristud, Pltd hardware
S=Tristud, SS hardware

POST1	-				-		
Option Category	1	2	3	4	5	6	

© Traffic Parts, Inc.

Post Top Framework Multiway



(For 4.5" OD Poles)

1-800-345-6329

Options:

Traffic Parts, Inc.

1. # of Directions

1=1-Way Side 2=Two Way
 V=Two Way Variable
 (different signals on each side)
 3=90° Three Way 4=Four Way
 5=120° Three Way 6=Cluster

2. Color

Y=Yellow B=Gloss Blk F=Flat Blk
 G=Dk Grn L=Light Grn Z=Bronze
 X=Special N=None (natural finish)

3. Hub Material

Material	1 row SS	2 row SS
Iron	F	X
Aluminum	A	Y
Brass	B	Z

4. Offset Spacing

1=10.5" (8" & 12" Signals)
 2=14.5" (Single Section Ped)
 3=8.5" (Spanner/monostud tops)
 X=Special

5. Vertical Spacing

1=40 1/2" (Std 3-sec 12" Signal)
 2=30" (Std 3-sec 8" Signal)
 3=16" (Std Single Sec Ped)
 4=27" (Std 2-sec 12" Ped)
 5=20" (Std 2-sec 9" Ped)
 6=67 1/2" (Std 5-sec 12" Signal)
 X=Special

6. Top/Center Pipe

Y=Framework top/centerpipe
 N=Framework top/no centerpipe
 X=No top assy/centerpipe/sig closures
 M=Monstud cast spanner/no centerpipe

S=Steel spanner top/no cp/sig closures
 A=Alum spanner top/no cp/sig closures

Nipples & Fittings

7. Nipple Material

F=Iron
 A=Aluminum

8. Fitting Material

F=Iron
 A=Aluminum
 G=Galvanized, Hot Dip

9. Shurlock Method

Shurlock location ->		Bot only	Top & Bot
Separate Ring	Plastic	1	A
	Alum	2	B
	Bronze	3	C
Integral to fitting		4	D

10. Fitting Set Screws

N=No Set Screws Y=With Set Screws

11. Fitting Lock Nipple

F=1 5/8" Lock Nipple, Iron
 A=1 5/8" Lock Nipple, Alum
 B=1 5/8" Lock Nipple, Brass
 N=All Thread with Nut, Iron
 T=Tri-Stud (Alum fittings only)
 S=Tri-Stud, SS washer

12. Fitting Type

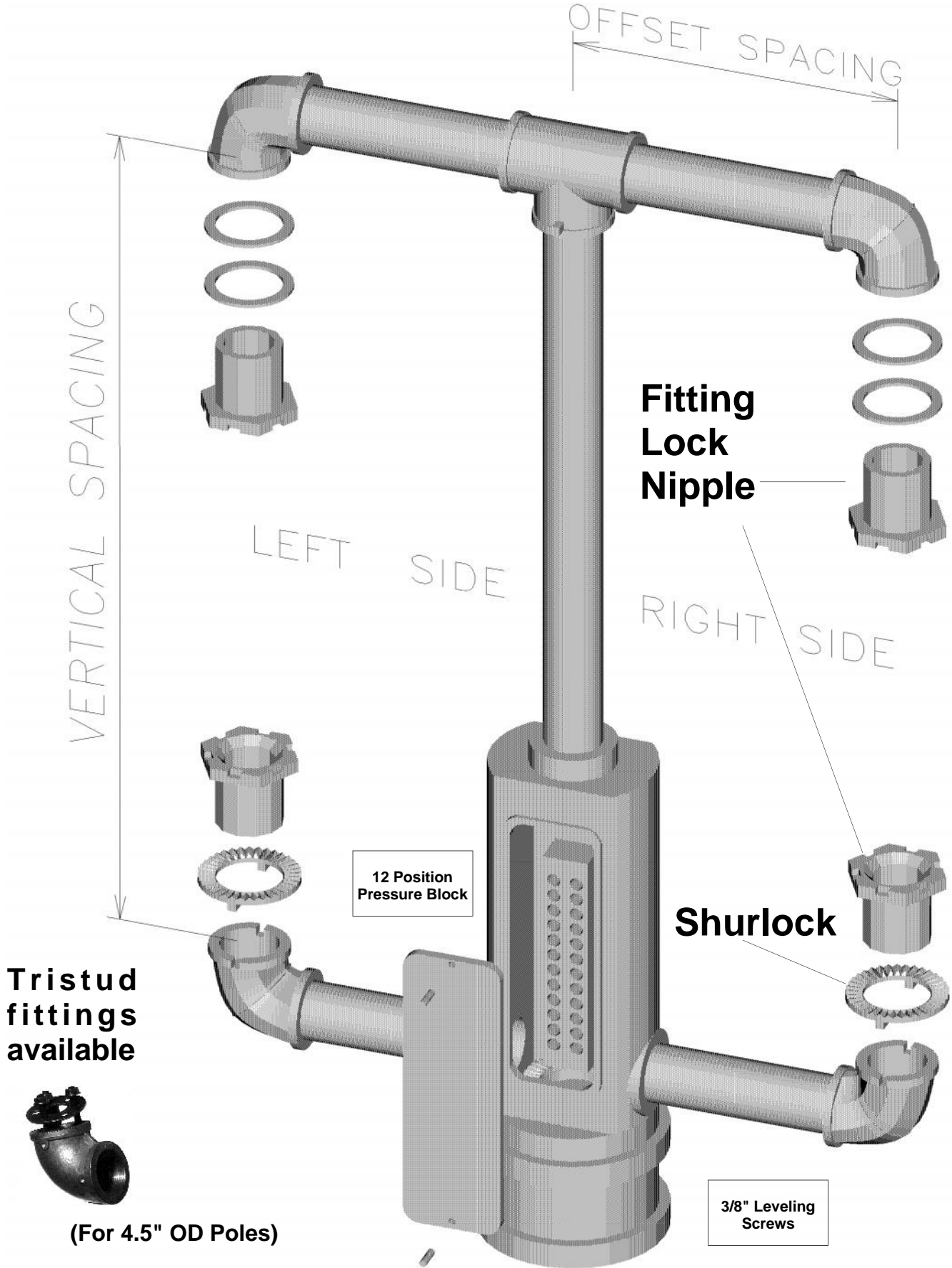
1=Elbow Top, Elbow Bottom
 2=Elbow Top, Tee Bottom
 3=Tee Top, Tee Bottom
 4=Cross Top, Cross Bottom

13. Fitting Closures

P=Plastic A=Aluminum

POSTM	-				-					-					-										
Option Category →		1	2	3		4	5	6		7	8	9		10	11	12		13	14	15		16	17	18	19

Post Top Terminal Compartment



1-800-345-6329

Options:

Traffic Parts, Inc.

Configuration

1. # of Directions

- L=One Way Left of Door (LOD)
- R=One Way Right of Door (ROD)
- 2=Two Way
- V=Two Way Variable
(different signals on each side)
- 3=Three Way
- 4=Cluster

2. Color

- Y=Yellow B=Gloss Blk F=Flat Blk
- G=Dk Grn L=Light Grn Z=Bronze
- X=Special N=None (natural finish)

3. Terminal Comp Material

Blk type->	Pressure	Barrier	None
Iron	F	1	6
Alum	A	2	7
Brass	B	3	8

4. Offset Spacing

- 1=10.5" (8" & 12" Signals)
- 2=14.5" (Single Section Ped)
- X=Special

5. Vertical Spacing

- 1=40 1/2" (Std 3-sec 12" Signal)
- 2=30" (Std 3-sec 8" Signal)
- 3=16" (Std Single Sec Ped)
- 4=27" (Std 2-sec 12" Ped)
- 5=20" (Std 2-sec 9" Ped)
- 6=67.5" (Std 5-sec 12" Signal)
- X=Special

6. Center Pipe

- Y=Included N=None
- X=No top assy or signal closures

Nipples & Fittings

7. Nipple Material

- F=Iron
- A=Aluminum

8. Fitting Material

- F=Iron
- A=Aluminum
- G=Galvanized, Hot Dip

9. Shurlock Method

Shurlock location ->		Bot only	Top & Bot
Separate Ring	Plastic	1	A
	Alum	2	B
	Bronze	3	C
Integral to fitting		4	D

10. Fitting Set Screws

- N=Without Set Screws
- Y=With Set Screws

11. Fitting Lock Nipple

- F=1 5/8" Lock Nipple, Iron
- A=1 5/8" Lock Nipple, Alum
- B=1 5/8" Lock Nipple, Brass
- N=All Thread with Nut, Iron
- T=Tri-Stud (Alum fittings only)
- S=Tri-Stud, SS washer

12. Fitting Type

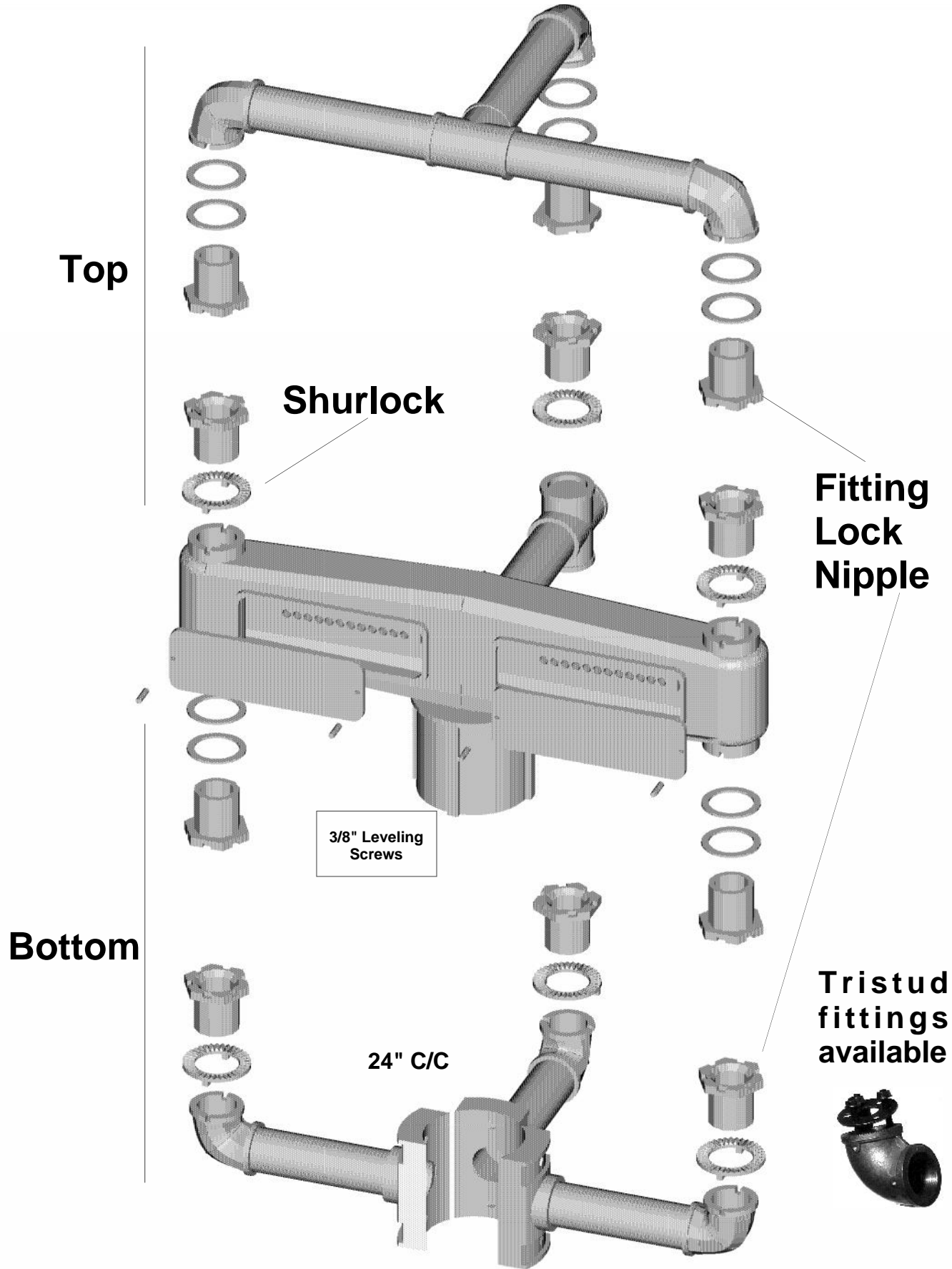
- 1=Elbow Top, Elbow Bottom
- 2=Elbow Top, Tee Bottom
- 3=Tee Top, Tee Bottom
- 4=Cross Top, Cross Bottom

13. Fitting Closures

- P=Plastic A=Aluminum

PSTTC	-				-					-					-										
Option Category →		1	2	3		4	5	6		7	8	9		10	11	12		13	14	15		16	17	18	19

Horizontal Terminal Compartment



Options:

Traffic Parts, Inc.

Configuration

1. Top

1=One Way 2=Two Way
3=Three Way N=None

2. Bottom

1=One Way, with bottom arm
A= " , without bottom arm
2=Two Way, with bottom arms
B= " , without bottom arms
3=Three Way, with bottom arms
C= " , without bottom arms
N=None

3. Color

Y=Yellow B=Gloss Blk F=Flat Blk
G=Dk Grn L=Light Grn Z=Bronze
X=Special N=None (natural finish)

4. # of Circuits/Block type

N=None

Block type->	Pressure type	Barrier type
12 ckt (1 blk)	1	3
24 ckt (2 blk)	2	4

5. Shurlock Method

1=Signal tops only
2=Signal bottoms only
3=Signal tops and bottoms
4=Terminal compt. only
5=Fittings only

6. Shurlocks (Term Compt)

1=Plastic 2=Aluminum
3=Bronze N=None

Nipples & Fittings

7. Fitting/Nipple Material

F=Iron
A=Aluminum
G=Galvanized, Hot Dip

8. Shurlocks (Fittings)

1=Plastic 2=Aluminum
3=Bronze 4=Integral to fitting
N=None

9. Fitting Set Screws

N=Without Set Screws
Y=With Set Screws

10. Fitting Lock Nipple

F=1 5/8" Lock Nipple, Iron
A=1 5/8" Lock Nipple, Alum
B=1 5/8" Lock Nipple, Brass
N=All Thread with Nut, Iron
T=Tri-stud (Alum fittings only)
S=Tri-stud, SS washer
X=None

11. Bottom Fitting Type

Top fittings always elbows
1=Elbow
2=Tee
3=Cross
N=None

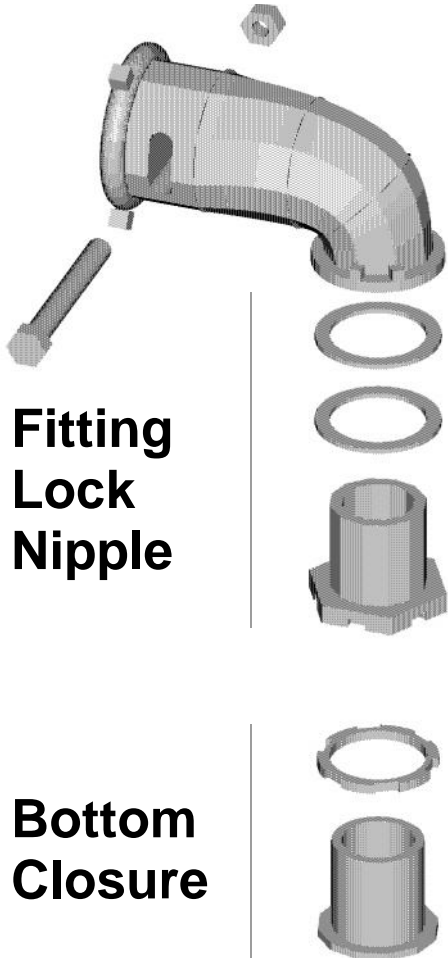
12. Fitting Closures

P=Plastic
A=Aluminum
N=None

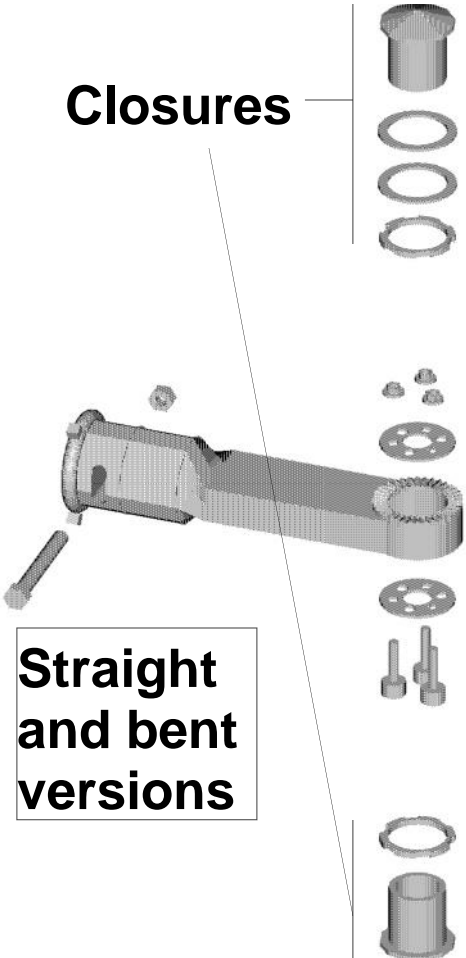
HZTC	-				-					-															
Option Category ➔		1	2	3		4	5	6		7	8	9		10	11	12		13	14	15		16	17	18	19

Mast Arm Rigid, Free-Swing

Mast End Rigid

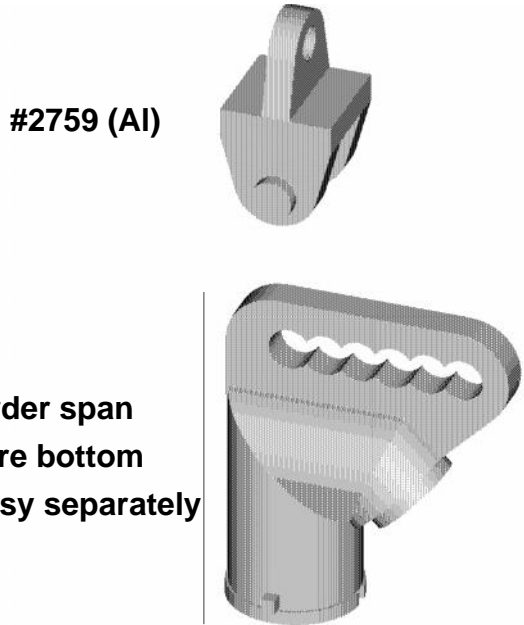
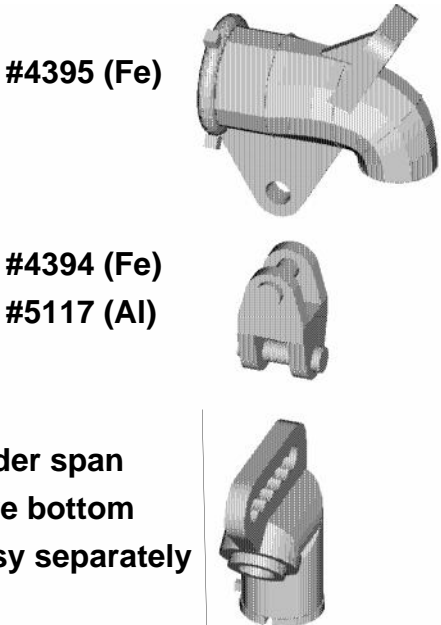


Mid Mast Rigid



Mast End Free Swing

Mid Mast Free Swing



Configuration

1. Type

- E=Elbow Plumbizer
- F=Elbow Plumbizer,Articulated
- V=Elevator Plumbizer,Straight
- W=Elevator Plumbizer,Bent
- A=Articulated Tube Saddle,Pltd hdwr
- S=Articulated Tube Saddle,SS hdwr

2. Color

- Y=Yellow B=Gloss Blk F=Flat Blk
- G=Dk Grn L=Light Grn Z=Bronze
- X=Special N=None (natural finish)

3. Material (Plumbizer only)

- F=Iron A=Aluminum B=Brass

4. Signal Attachment

- N=None (for use with drop pipe)
- F= 2" Lock Nipple, Iron
- A= 2" Lock Nipple, Alum
- B= 2" Lock Nipple, Brass
- X= All Thread with Nut, Iron
- T= Tri-Stud, Alum

5. Bottom Closure

- (1 Set for Elbows, 2 Sets for others)
- N=None 1=Plastic Plug
- 2=Alum Closure w/lockring
- 3=Molded Plastic Sealing Cap

Note: Cluster configurations (such as "dog house", or multiway) are possible for all mast arm assemblies. Please see Cluster section for ordering codes. Order a cluster assembly and a separate mast arm assembly.

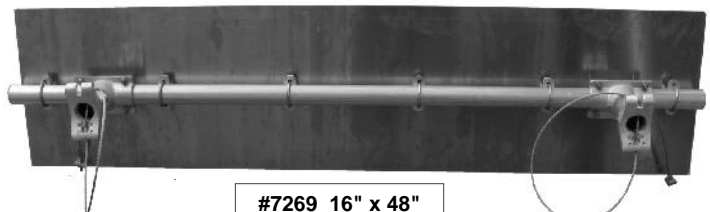
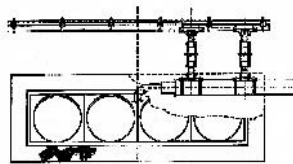
MASTR

Option Category →

-				-			
1	2	3	4	5	6		

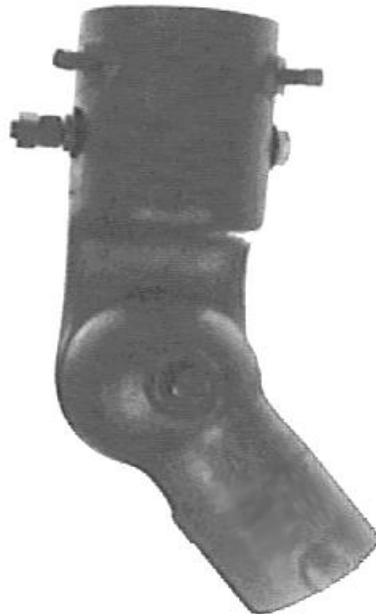
Mast Arm Wind Dampeners

Damps mast arm motion when mounted horizontally along the top end of the mast arm

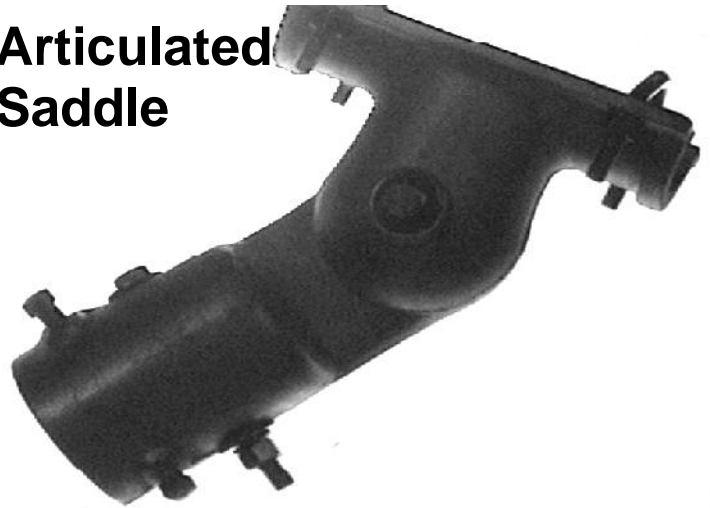


#7269 16" x 48"
#7608 16" x 66"

Articulated Plumbizer



Articulated Saddle

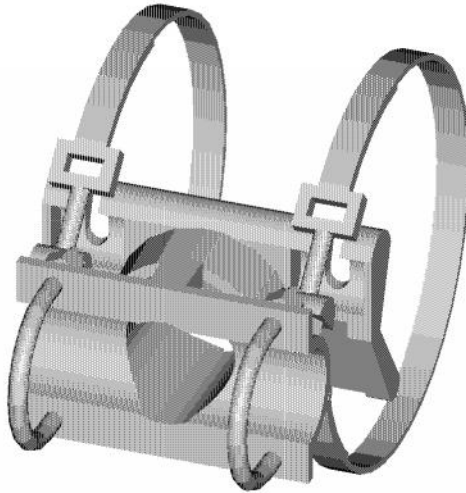


EZ Sign Mounts

Swivel Option



EZ Brac Mount

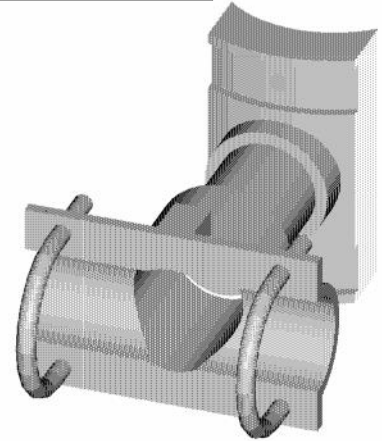


EZ Mini Option

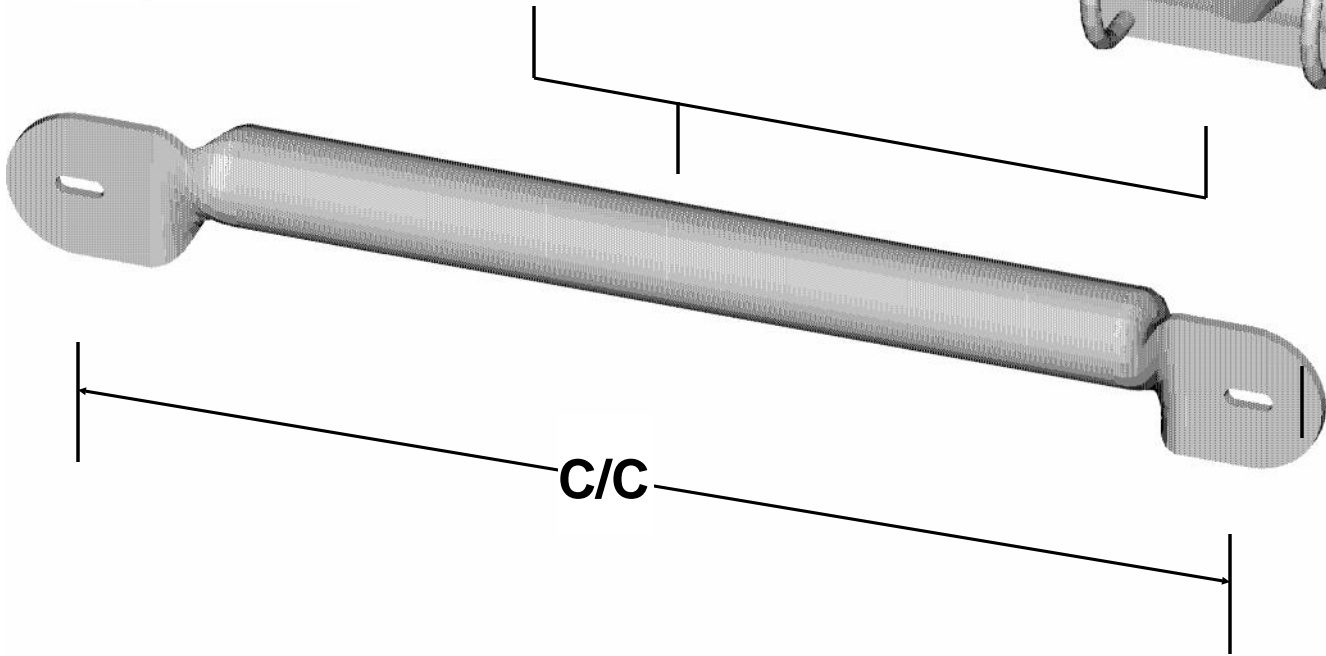


Pole Plate Mount

Use Pole Plate Mount only for 18", 24" c/c brackets



Artic Option



Options:

Traffic Parts, Inc.

1. Mounting Bracket

Option	Clamp Kit			EZ Mini	Pole Plate
	Std	Swivel	Artic		
Bands	B	S	V	D	P
Cable	C	T	W	E	

2. Band/Cable/Pole Plate Type

Option #	Band/Cable Length		Max Pole Dia
	EZ Brac	EZ Mini	
Bands: 1	29"	29"	8.6"
2	36"	36"	10.8"
3	42"	42"	12.7"
4	48"	48"	14.6"
5	56"	56"	17.2"
Cables: 1	66"	33"	9.2"
2	84"	42"	12.1"
3	98"	46"(Std)	14.3"
4	120"	60"	17.8"

X=Special Band/Cable

3. C/C Bolt Pattern

1=18" 2=24" 3=30"
4=12" 5=36"

(18,24" only for EZ Mini and Pole Plate)

4. Color

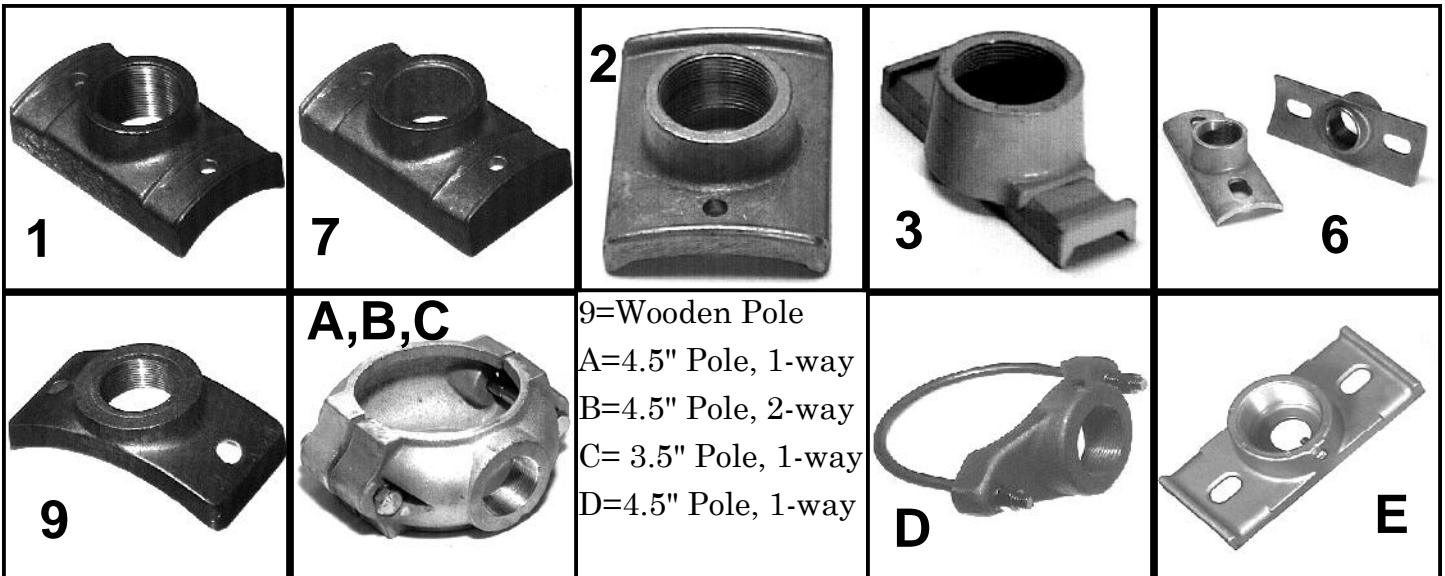
Y=Yellow B=Gloss Blk F=Flat Blk
G=Dk Grn L=Light Grn Z=Bronze
X=Special N=None (natural finish)

5. SS Hardware

P=Plated Hardware
S=Stainless Hardware

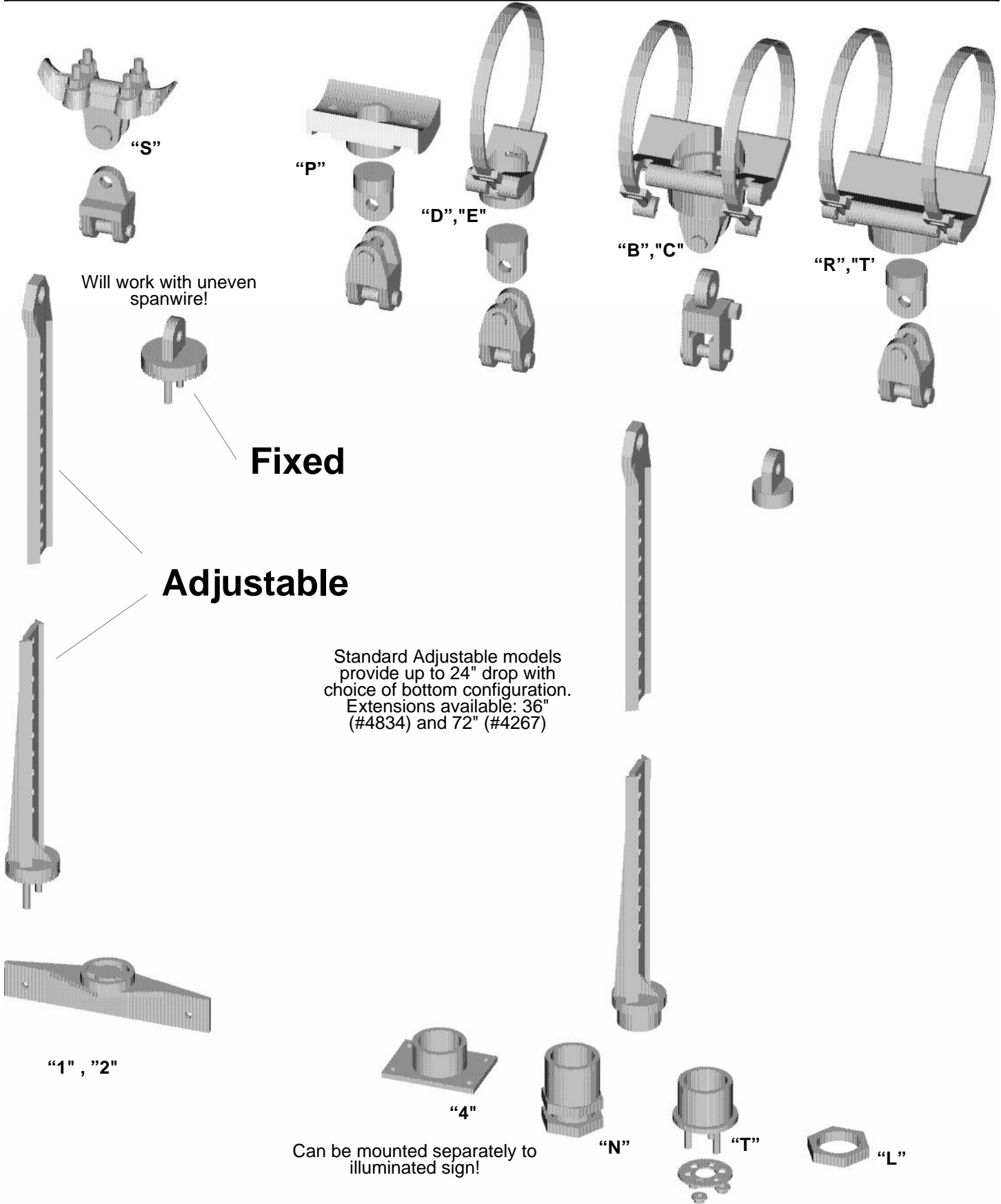
Tube Assy Alone w/2 SS bolts available as:

#7752 12" C/C
#5903 18" C/C
#5903 24" C/C
#5904 30" C/C
#313 36" C/C



EZSIGN	-				-														
Option Category →	1	2	3	4	5	6	7	8	9	10	11	12	13	14	15	16	17	18	19

Sign Mounts, Adj, Wind Dumping



Options:

Traffic Parts, Inc.

1. Mounting Type

M=Mast Arm S=Spanwire

2. Sign Type

F=Flat L=Illuminated/Box

3. Mounting Bracket/Hanger

S=Spanwire Hanger
 P=Pole Plate (See selections bott page)
 D=EZ Mini Brac,Bands, SS
 E=EZ Mini Brac,Cable
 B=EZ Brac Clevis Hgr Clamp,Bands, SS
 C=EZ Brac Clevis Hgr Clamp,Cable
 R=EZ Brac Thrd Hub Clamp,Bands
 T=EZ Brac Thrd Hub Clamp,Cable

4. Mounting Bracket Option

Pole Plates -1,7,2,E,4 (See page bottom)

EZ Band/Cable Type

Option #	Band/Cable Length		Max Pole Dia
	EZ Brac	EZ Mini	
Bands: 1	29"	29"	8.6"
2	36"	36"	10.8"
3	42"	42"	12.7"
4	48"	48"	14.6"
5	56"	56"	17.2"
Cables: 1	66"	33"	9.2"
2	84"	42"	12.1"
3	98"	46"(Std)	14.3"
4	120"	60"	17.8"

X=Special Band/Cable

Spanwire Hanger Type

Option #>	1	2	3	4
Size	6"	6"	6"	6"
Bolt Style	U	U	L	L
Hdwr Matl	Plt	SS	Plt	SS

5. Leveling

F=Fixed — Both ends
 A=Adjustable — Both ends
 1=One end fixed, one end adj

6. Bottom Adapter

1=10"L x 1.5"W Blade (flat signs)
 2=20"L x 2.75"W Blade (flat signs)
 4=4 hole hub plt E=2 hole hub plt
 T=Tristud adapter N=Nipple adapter
 L=Locknuts (2 for fixed, 1 for adj)

7. SS Bushings

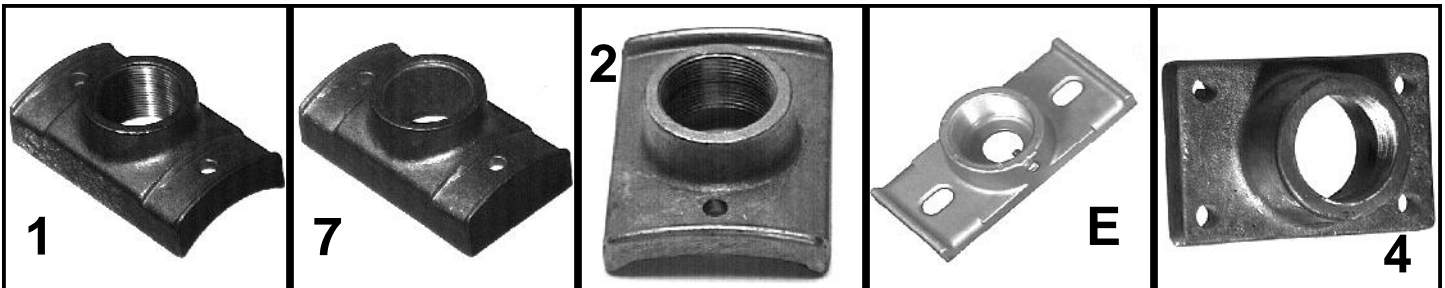
N=None S=With SS bushings

8. Hardware

P=Plated (EZ Brac banding eyebolts are always electro-galvanized steel)
 S=SS Hdwr w/Steel Bal Adj eyebolt
 B=SS Hdwr w/Brass Bal Adj eyebolt

9. Color

Y=Yellow B=Gloss Blk F=Flat Blk
 G=Dk Grn L=Light Grn Z=Bronze
 X=Special N=None (natural finish)



SGNWD	-				-					-					-										
Option Category ➔		1	2	3		4	5	6		7	8	9		10	11	12		13	14	15		16	17	18	19

Sign Brackets, Untethered

Ball & Socket

Signs up to 24" x 30"



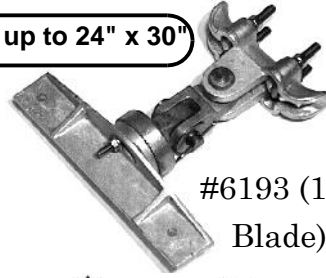
#1681 (Span Wire)



#4200 (Mast Arm)

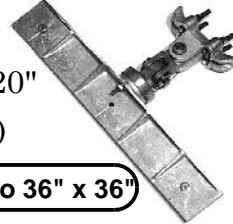
Swivel, Wind Dump

Signs up to 24" x 30"



#6193 (10"
Blade)

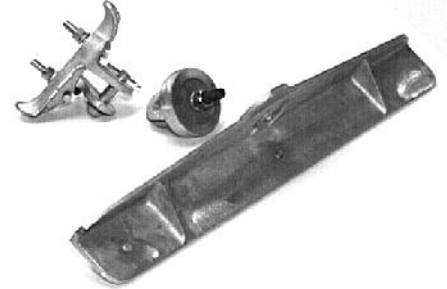
#6192 (20"
Blade)



Signs up to 36" x 36"

Heavy Duty

Signs up to 36" x 36"



#1762

Multi-Leveling

Signs up to 30" x 36"



#1163

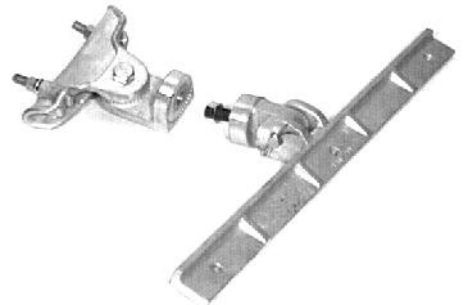
Multi-Leveling, Wind Dumping

Signs up to 30" x 36"



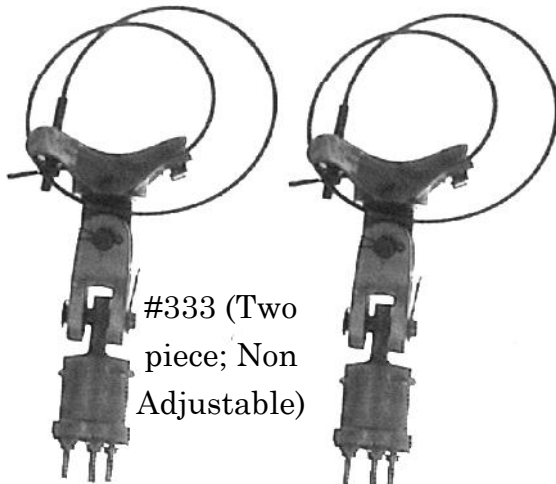
#2762 (Medium Duty)

Signs up to 36" x 36"



#3523 (Heavy Duty)

Tristud Sign Mounting, Wind Dumping



#333 (Two
piece; Non
Adjustable)



#7158 (Two piece;
Adjustable)

Sign Brackets, Tethered

Adjustable

Up to 24" drop



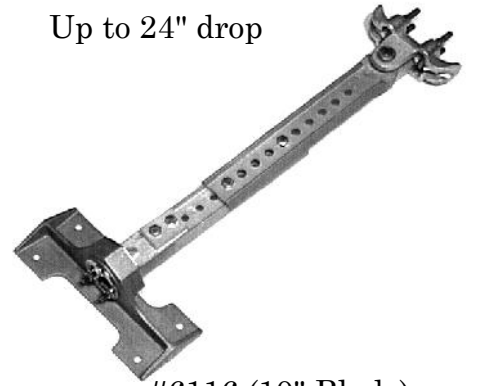
#809 (10" Blade)



#1574 (20" Blade)

Adjustable, Octagonal Lock

Up to 24" drop



#6116 (10" Blade)

Free Swing

Up to 24" drop

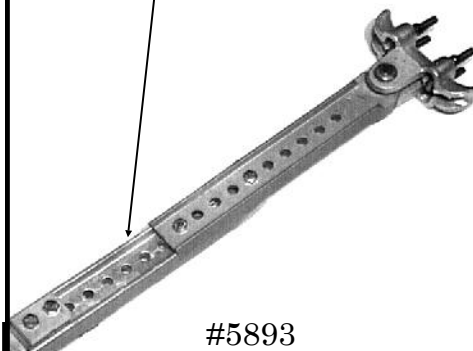


#6194 (20" Blade)

Box

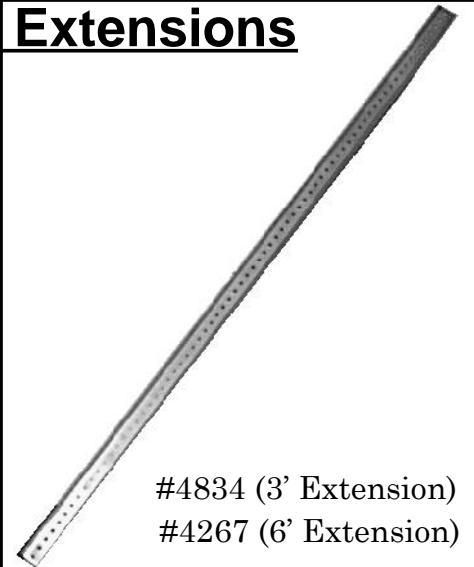
Up to 96" drop

6' Extension



#5893

Extensions



#4834 (3' Extension)

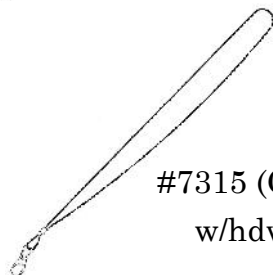
#4267 (6' Extension)

Safety Tether Kits 2" OD Pole Mount

For all high wind areas.

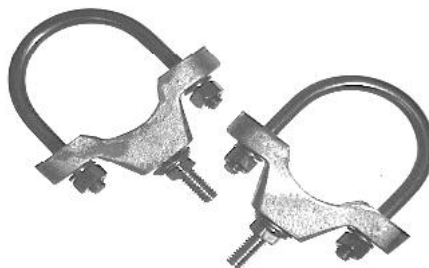


#6175 (12" Chain w/hdwr)



#7315 (Cable w/hdwr)

Set of two



#5279

4.5" OD Pole Mnt

Set of two



#6168

Note: Stainless steel hardware options available on many configurations.

Sign Lights

#2420

14" Incandescent Sign Light

For illuminating signs under vertical signals.

Material: Sheet aluminum

Mounting: Rigid mount with lock ring and collared nipple

Lamp: Two 69w incandescent bulbs (not included)

Socket: Two ceramic standard base, 120vac (#6015)

Two 'punch-out' holes (with notches for shurlock ring) provided for top or rear mounting



LED Sign Lights

For illuminating signs under horizontal signals.

Material: Sheet aluminum

Mounting: Aluminum mounting straps and two clamps (included)

Lamp: LED tube

#5787 — 50", Yellow



#389 Sign light body only (no lamp, mnting hdwr, unpainted)

#5176 Single clamp for 2" tube, zinc plated

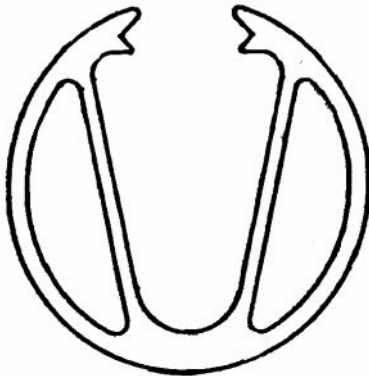
Strap kits (two straps/two clamps for 2" tube)

#957 Yellow, 36" **#7145** Flat Black, 36"

#7113 Yellow, 26"

Tubes & Nipples

Use this ordering code for:



Gusseted Tube cross section

Nipples
Post top center pipes
Horizontal arms
EZ brac tubes (plain and threaded)

1. Material

- S=Steel, Galvanized
- A=Aluminum
- G=Gusseted Alum
- V=Gusseted Alum. w/vinyl strip

2-3. Overall Length (inches)
 (Minimum 6" length)

4-5. Thread 1

- T0=No thread
- T1=1" long, 1 1/2" NPT (Standard)
- T2=2" long
- T3=3" long
- T4=1.5" long
- T5=.75" long
- T6=.5" long

6-7. Thread 2

Same choices as thread 1

8. Color

- Y=Yellow B=Gloss Blk F=Flat Blk
- G=Dk Grn L=Light Grn Z=Bronze
- X=Special N=None (natural finish)

9. End Caps

- N=None
- 1=One end 2=Both ends

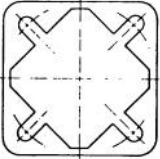
NIPL	-				-					-					-										
<i>Option Category</i> ➔		1	2	3		4	5	6		7	8	9		10	11	12		13	14	15		16	17	18	19

Poles and Bases

Square Base



See #5501 template



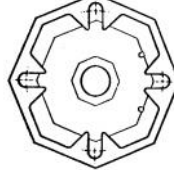
Threaded square base available in galv cast iron (primed, painted, unpainted) or aluminum (natural finish or painted). Use 4 1/2" threaded poles below.
 15 1/2"H x 13 3/4" x 13 3/4"
 Bolt Circle: 11" - 14 1/2"

- #671 — Al, natural, al door
- #6800 — Al, natural, plastic door
- #7344 — Al, natural, plastic door, ASHTO
- #7332 — Al, nat, Long neck, plas dr, ASHTO
- #2168 — Iron, painted, primed, or unpainted

Octagonal Base



See #5501 template



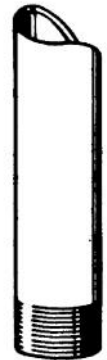
Threaded octagonal base available in galv cast iron (primed, painted, unpainted) or aluminum (natural finish or painted). Use 4 1/2" threaded poles below.
 14 1/4"H x 17" dia
 Bolt Circle: 11" - 14 1/2"

- #1048 — Alum, natural
- #1097 — Iron, painted, primed, or unpainted
- #5501 = Anchor bolt template, 12.75" bolt dia

Spun Aluminum/Galv Steel Poles

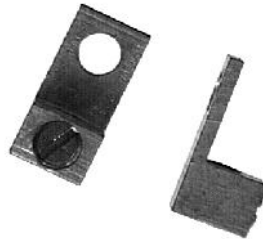
4 1/2" poles threaded one end

L	Alum	Sch	Galv
10'	6053	40	5763
12'	6054	40	6733
14'	7349	40	
15'			6734
16'	6055	40	
17'	7537	80	6735
18'	7334	40	
20'	6056	40	
21'			6736
24'	2488	80	

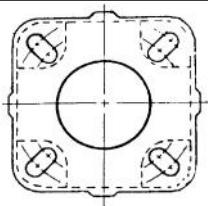


Grounding Lugs

#2920 Alum, Solderless
 #6-#14 AWG (mount w/6115 screw + #5322 lockwasher

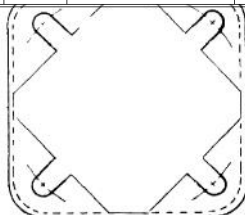
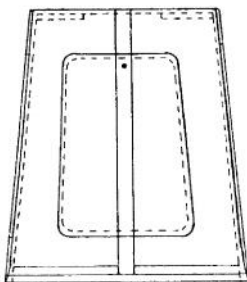


#6967 Bronze, Threaded
 1/2"-13 stud for #1 AWG stranded to #10 AWG solid wire



Transformer Bases (AASHTO)

Part #	H (in)	Top Bolt Circle	Bott Bolt Cir
775	17	10.5-13.5	13-15
1756	17	13-15	15-17.25
1754	20	11-13	10.5-13
1755	20	11-13	13-15
1753	20	10-12	10-12



Other sizes available

2-Piece Plastic Base

Dimensions: 22"H x 20" dia.
 Clamps to pole with 4 bolts
 Colored Gray to match natural finish
 4.5" aluminum poles anchored in concrete.
 No anchor bolts required.
 #5248

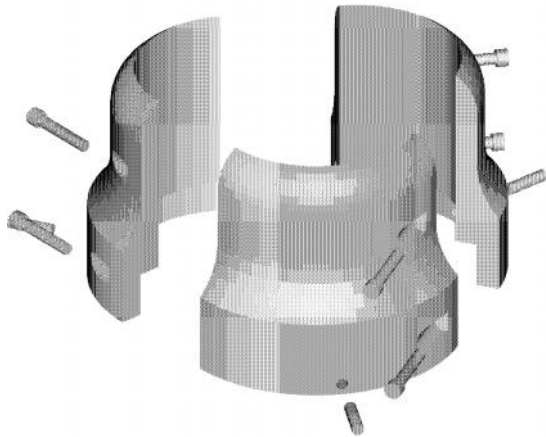


Poles and Bases

Aluminum Pole Collar

For pedestal poles with heavy wind loads and other high stress applications.

- > **Use with Square Base on previous page.**
- > **Retrofits to existing poles and bases**
- > **Firmly integrates the pole with the base at the threaded joint**
- > **Roll pins keep the pole from turning, eliminating the need for welding.**
- > **#7794 for CPI, Akron**
- > **#6700 for Permocast, Pelco**



Anchor Bolts

3/4"x18"x3 1/2"

Include flat round washer & hex nut.

- #315 — Black steel
- #4208 — Galvanized

Larger sizes available for poles over 10' or mast arms.



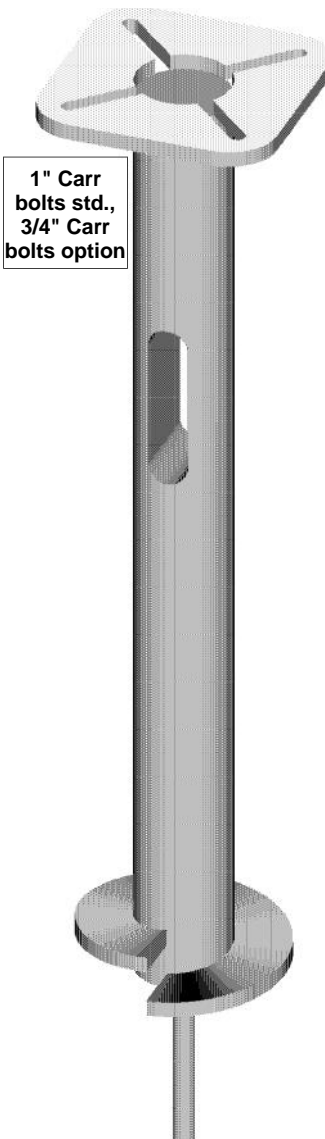
Power Installed Foundation Anchor Assembly

Reusable helix screw foundation for pole bases. (Special sizes also available)

- > **Steel, hot dip galv, 5' long, w/1" Gr5 Carriage bolts**

*=Sched 20 **=Sched 40

Model#	Platform	Bolt Circl	Shaft Dia
#6731*	12"x12"	9-14"	6"
#6768*	16"x16"	11-17"	8"
#7192**	16"x16"	11-17"	8"



Pole Caps

Cast alum Dome

#1005
4.5"



Acorn

#5811
4.5"
#5932
3.5"



Carriage Bolts

1"x4" GR5 HD Galv
w/2.5x.25Wsh,Lkwsh,
Nut



Tools:

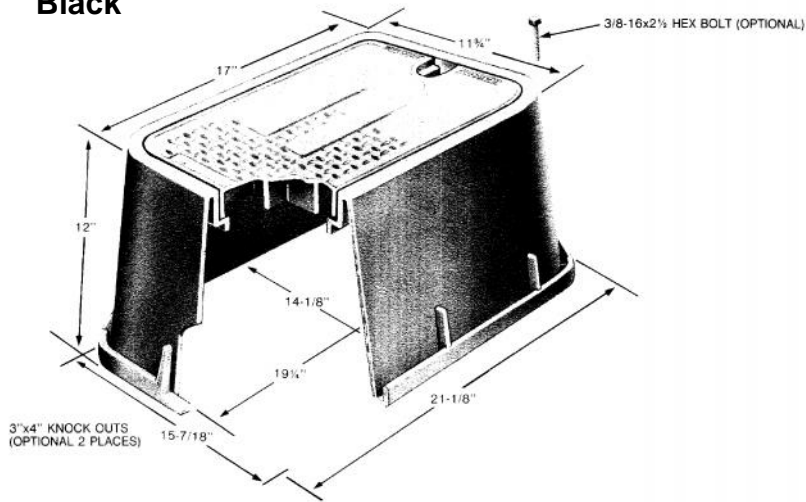
- #7329 Univ Drive Tool
- Kelly Adapters:
- #4112 — 2 1/2"
- #7330 — 2 5/8"

Junction Boxes

#1333

Wt. 10 lbs

Black

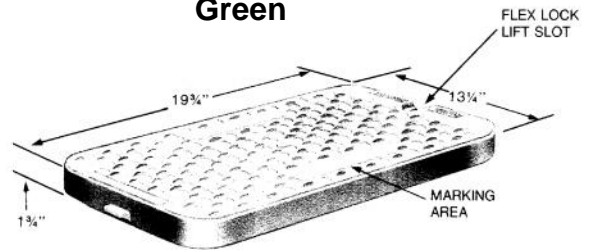


ABS Plastic Boxes

#1334

Wt. 13 lbs

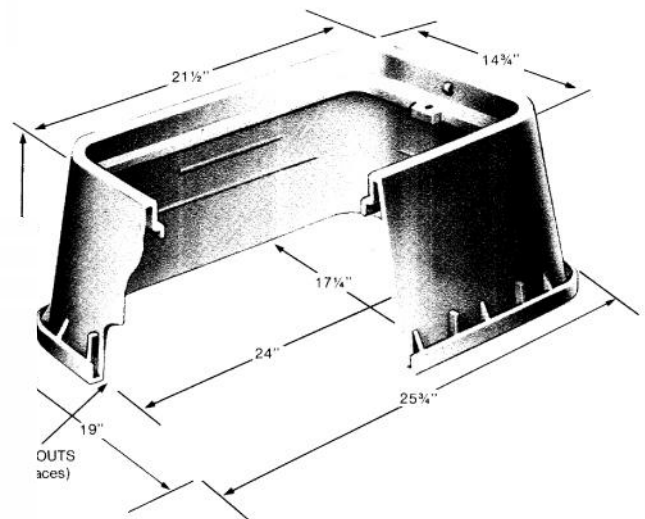
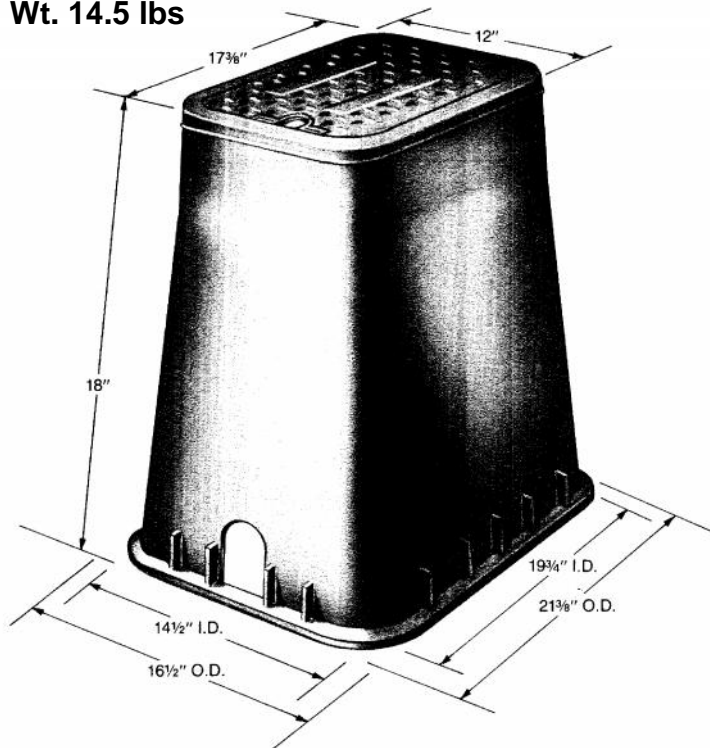
Green



#1763

Black/Green Cover

Wt. 14.5 lbs



Lid Legend: "Traffic"

'Penta' bolts for vandal resistance

Low Cost

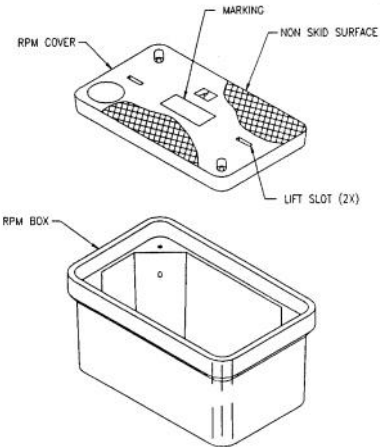
Excellent chemical resistance

High tensile and flexural strength

Not recommended for concrete or asphalt

Junction Boxes

Reinforced Polymer Concrete Boxes



General Purpose Boxes

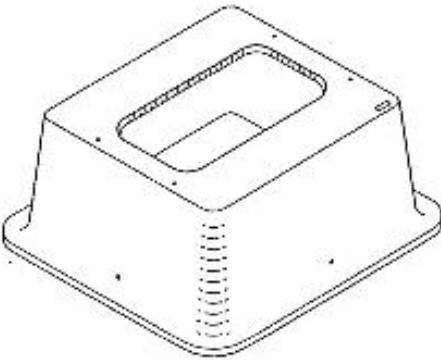
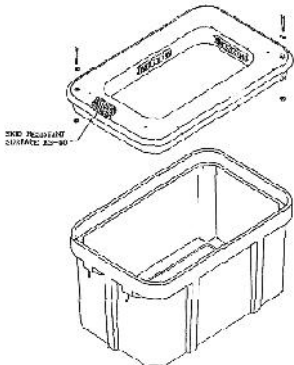
Lid Legend: "Danger High Voltage Traffic Signal"
 Lighter wt than concrete boxes, off white color
 Low Cost, High strength

Other logos
available

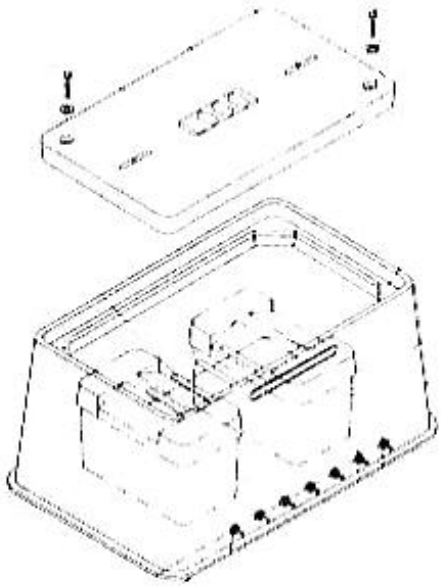
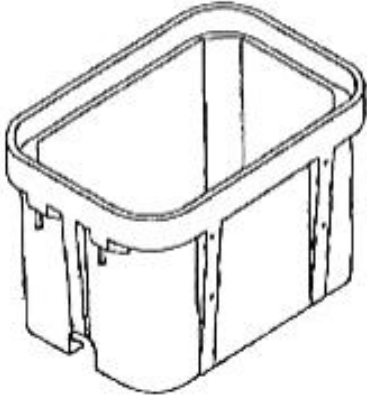
- Excellent chemical resistance
- #6165 "A" Box (13"x24"x12"D) 105 lbs
- #6164 "C" Box (17"x30"x12"D) 156 lbs
- #6312 "D" Box (17"x30"x22"D) 195 lbs

Special Purpose Boxes

- #7196 P44 Controller, Straight Wall (26"x44"x24"D) 411 lbs
- #7639 P44 Controller, Straight Wall (40"x44"x15"D) 350 lbs



- #7412 "Comm" (36"x36"x36"D) 588 lbs
- #7194 "Comm" w/rack (24"x36"x24"D) 312 lbs
- #7197 Battery (4) (17"x30"x18"D) 207 lbs



Loop Sealant

One Part Sealant

Product Name: Q-Seal 290S

Manufacturer: Chemque

Description:

A one component thixotropic moisture curing polyurethane sealant.

Packaging:

30 fl. oz cartridges (12/case)

(#4405-Gray/#6190-Black)

5 gal pails (#4404-Gray/#6189-Black)

Curing:

Skin over in approx 3 hours at 77°F; 50% R.H.

Physical Properties (typical):

Viscosity: 9,000-30,000 cps

Color: Gray or Black

Solids: 85%

Hardness: 70 Shore A

Elongation: 325%

Specific Gravity: 1.32

Tensile Strength: 750 psi

Two Part Sealant

Product Name: Q-Seal 295S

Manufacturer: Chemque

Description:

Two component polyurethane sealant.

Packaging:

600 ml (12/case) (#6986-Gray)

2 x 5 gal pails (#5790-Gray)

Curing:

Gel Time 8-10 min at 77°F; 50% R.H.

Physical Properties (typical):

Viscosity 4000-6000 cps

Color: Gray

Solids: 100%

Hardness: 65-75 Shore A

Elongation: 200-250%

Tensile Strength: 800-900 psi

=====

Product Name: P606

Manufacturer: Bondo

Description:

Polyester resin with MEKP hardener.

Packaging:

1 gal units (#6201)

Curing:

Gel time 9-15 min. Curing 35-45 min.

Physical Properties (typical):

Viscosity: 4000-7000 cps

Hardness: 55-65 Shore D

Elongation: 18% +/- 3%

Tensile Strength: 800 psi +/- 100 psi

#7578 Extra Hardener, .74 oz.

#7577 Speed set Accelerator, .50 oz.

Loop Sealant

Coverage Notes:

1/4" wide x 2" deep opening requires approx.
2.6 gal/100 ft.

One case cartridges will seal approx. 110 ft.

One gal pail will seal approx 35 ft.

One 5 gal pail will seal approx 173 ft.

Application Notes:

Cartridges: Manual or air-operated 30 oz
caulking gun.

One Part Bulk: Pressurized dispensing system
consisting of a 10:1 ratio pump with air
regulator, gauge and air valves.

The primer is an elevator with a follower plate
which should be resistant to aromatic
hydrocarbons. Hoses should be Teflon lined
with stainless steel cover. The flow gun
should be a 6000 psi extrusion unit with
various wand attachments.

Two Part Bulk: Special two part pressurized
dispensing system required. Please ask your
salesperson.

DOT Approval Notes:

The above loop sealant products appear on
many state DOT approval lists. Contact your
salesperson for details.

"V" Squeegee

#6794 200 degree "V" Squeegee

#6793 Replacement blades)

Backer Rod

Extruded round, closed cell, low density
polyethylene foam material with a skin-like
outer texture. Highly flexible and
compressible for easy installation.

#2415 — 1/4" dia x 2000' roll (2 rolls/box)

#2089 — 3/8" dia x 2100' roll (2 rolls/box)

Diamond Saw Blades

Blades are tensioned to run between 9000 and
12000 SFPM. Each blade is furnished with a
1" arbor hole and a 7/16" drive pin hole.

Custom made for your application. Please
provide:

Material to be cut (concrete/asphalt)
Concrete hardness (green/days/soft or hard
aggregate)

Blade diameter

Sawcut width

HP of saw to

Cartridge D Pneumatic

#6202 — Hand held



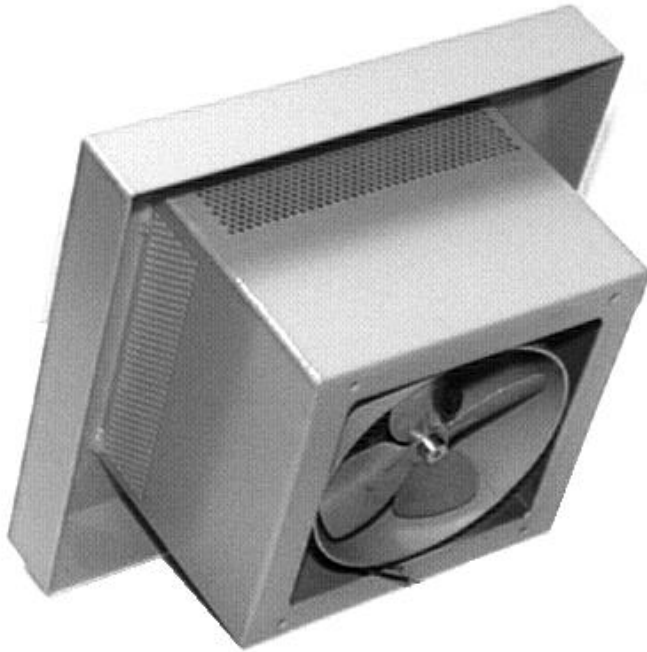
#5530 — 54" rolling standup model, Heavy
duty

Spreader Nozzles

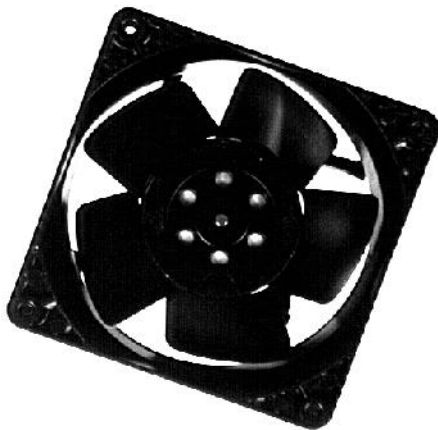
#5846 — Plastic spreader
nozzles with 1/4" NPT male
thread. 4" long; 1/16"x1/2"
rectangular opening.



Fan Assemblies

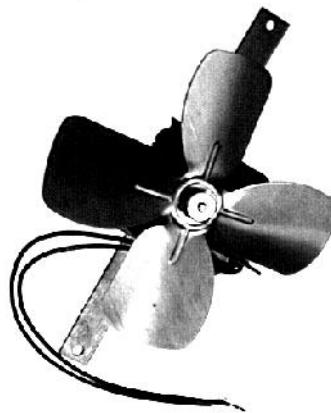


- > Available in 4" and 6" fan models
- > Direct Replacement for Crouse-Hinds TCF2 and TCF1D Ventilation Fans
- > Includes thermostat (70°-160°F) and mounting bracket
- > *Retrofit your cabinet today!*



#894

- > 4" Box Fan
(4 11/16"x4 11/16"x1 1/2")
- > 105 cfm
- > 3000 rpm motor



#949

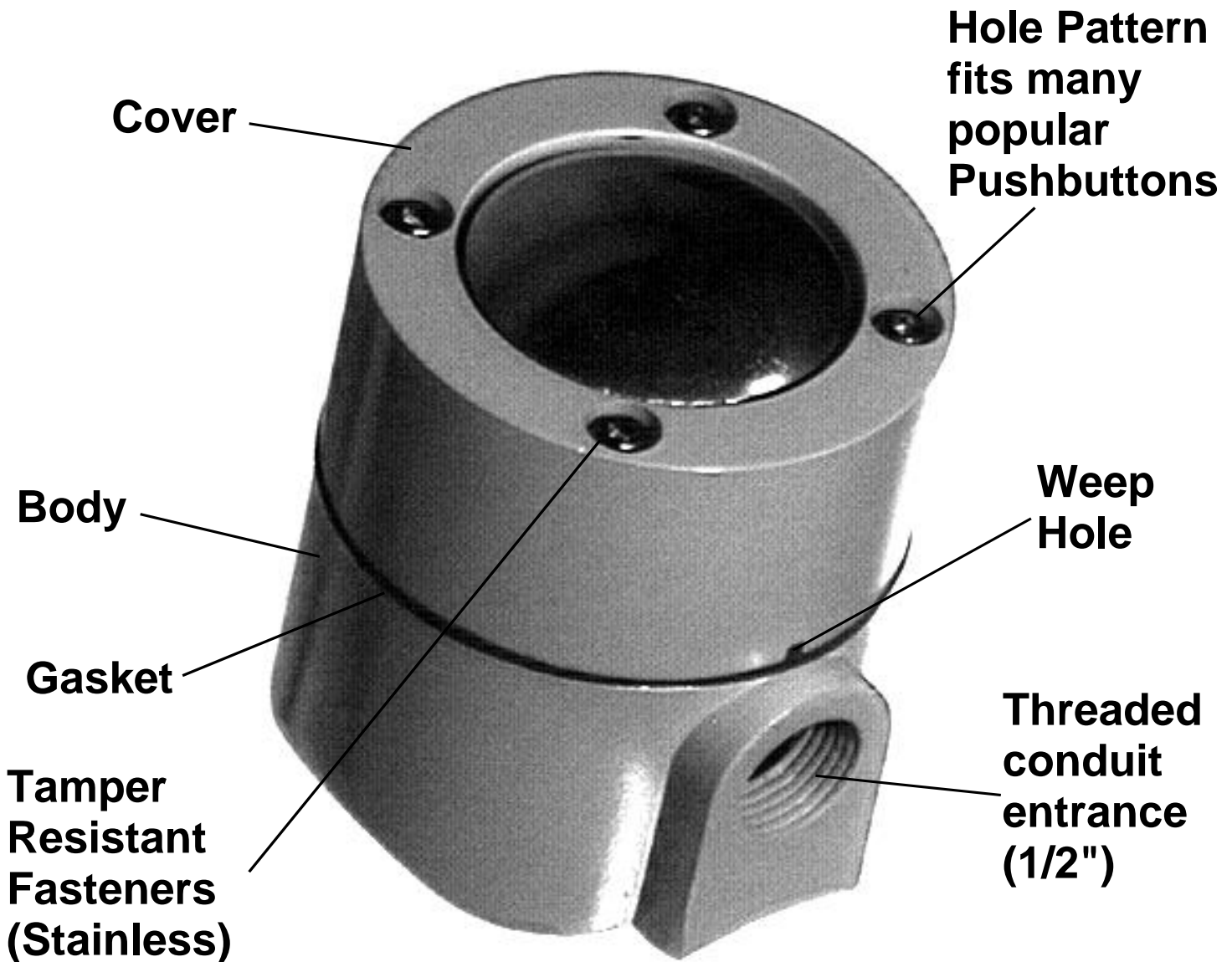
- > 6" Fan Blade
- > 450 cfm
- > 3000 rpm C-frame motor



#948

- > Adjustable thermostat
(70°-160°F)

Pedestrian Pushbuttons



1-3. Button/Switch

S00,T00=None (Body only,no cvr, no sw)
 Sxx=3" Rnd Covers
 Txx=3"x4.5" Rect Covers

4-6. Body

B00,Q00=None (Cover only)
 Bxx=For 3" Round Covers
 Qxx=For 3"x4.5" Rect Covers

7. Color

Y=Yellow B=Gloss Blk F=Flat Blk
 G=Dk Grn L=Light Grn Z=Bronze
 X=Special N=None (natural finish)

Pushbutton assemblies do not include signs. Order pushbutton signs by part number. Order with hole grommets if required.

PB	-				-					-															
<i>Option Category</i> ➔		1	2	3		4	5	6		7	8	9		10	11	12		13	14	15		16	17	18	19

Configurations: Button/Switch

Description:

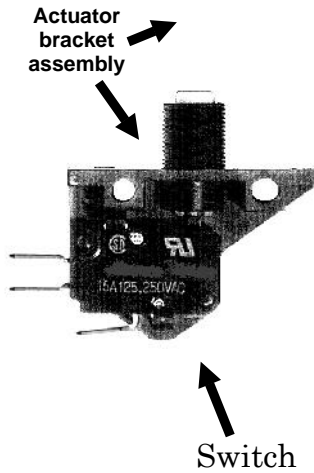
Heavy duty momentary long life switch with plastic button and rubber cap to protect switch from moisture and freezing. Contacts rated up to 36vdc. Screw terminals. Our most popular and economical pushbutton.



S01

Description:

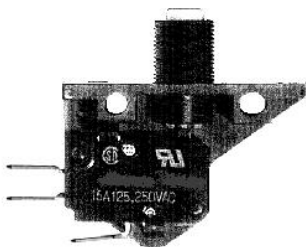
Light force actuated (2.5 oz) miniature snap action long life switch rated at 10a, 250vac. Mounting with plastic actuator isolates switch from opening for excellent moisture resistance. High vandal resistance. Wire pigtailed.



S02

Description:

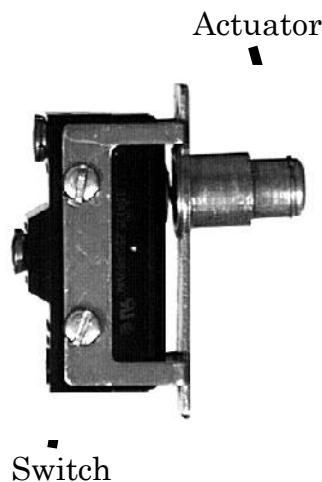
Same switch as S02 above except mounted behind protective rubber membrane to provide freeze protection (Membrane is replaced easily).



S03

Description:

Standard force actuated (10 oz.) full size long life snap action switch rated at 15a, 250vac. Mounting with brass actuator isolates switch from opening for excellent moisture resistance. High vandal resistance. Screw terminals.

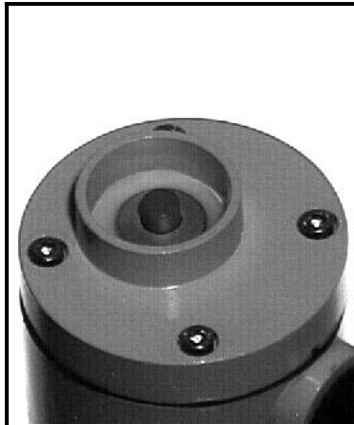


S04

Configurations: Button/Switch

Description:

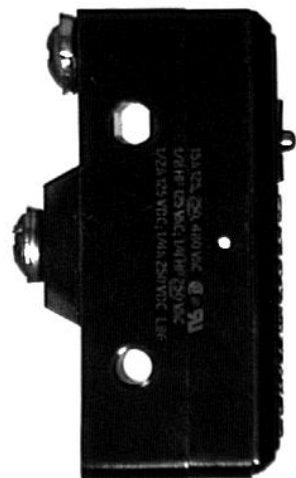
Positive tactile feedback (4lbf) button with 10a, 28vdc/115vac rating. High moisture resistance with contact area sealed at case and terminals. Wire pigtails. Red plastic button.



S07

Description: (Small ADA)

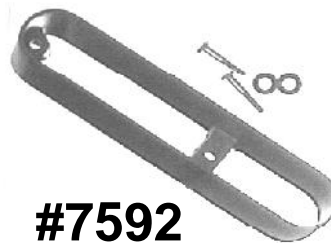
1 1/4" Diameter aluminum actuator button. Standard force actuated (10 oz.) full size snap action long life switch rated at 15a, 250vac. High vandal resistance. Screw terminals.



S09

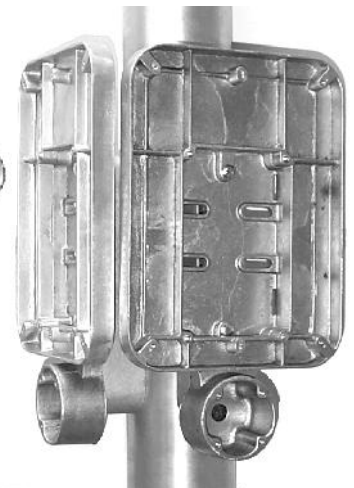
Now Available!

Standoff kit for mounting two 9"x12" or 9x15" PB assemblies to a 4" pole. Order #7592 kit.



#7592

Fits all of our 9x12, 9x15 pushbutton assemblies!



Configurations: 2" Button/Switch

Description: (Large ADA)

2" Die cast aluminum button. Heavy duty long life momentary switch. Contacts rated up to 36vdc. Screw terminals. Our most popular and economical 2" pushbutton.



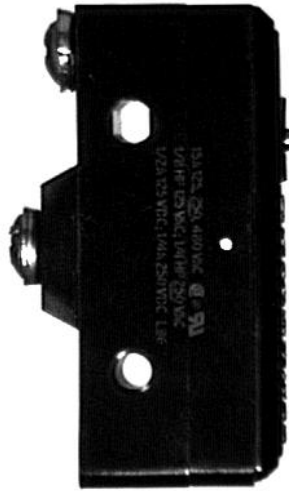
S10 Round Cover



T10 Rect Cover

Description: (Large ADA)

2" Die cast aluminum button. Standard force actuated (10 oz.) full size snap action long life switch rated at 15a, 250vac.



S11 Round Cover



T11 Rect Cover

Description: (Large ADA)

2" Die cast aluminum button. Industrial control switch (oiltight) with 10a.600vac rating. Supplied with one NO pole. May be optionally supplied with two poles (either NO or NC).



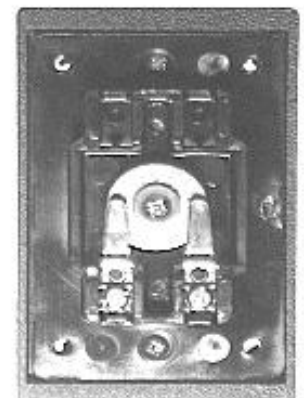
S12 Round Cover



T12 Rect Cover

Description: (Large ADA)

2.25" Chrome plated button
Black cover with shield
Gold Plated N.O. Momentary Contacts
Rubber Gasket



T01

Configurations: Pushbutton Bodies

3" Round Bodies (8 models)

The curved back body fits poles 2" and larger. Optional features: Bottom 1/2" threaded hole, 1/2" threaded back, saddle for flat surface mounting.

Model B-	01	02	03	04	05	06	07	08
1/2" bott hole		X		X		X		X
Saddle			X	X			X	X
1/2" back hole					X	X	X	X



Body



Saddle

Custom Size Frames (24 models)

Note: Model B10/B30/B50 are Post Top Mount. All others are side of pole mount.

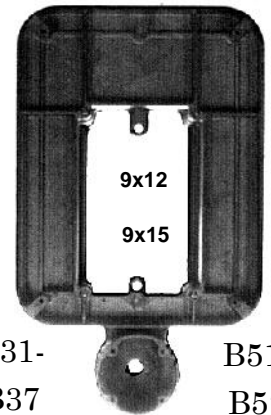
5X7 Sign	9X12 Sign	9x15 Sign	Pole OD	5X7 Sign	9X12 Sign	9x15 Sign	Pole OD
B10	B30	B50	2.5"	B14	B34	B54	8.5"
B11	B31	B51	4.5"	B15	B35	B55	10.5"
B12	B32	B52	5.5"	B16	B36	B56	11.5"
B13	B33	B53	6.5"	B17	B37	B57	12.5"



B10



B11-B17



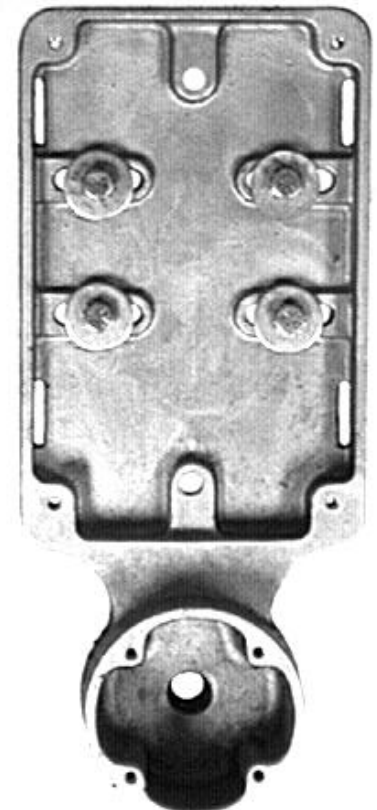
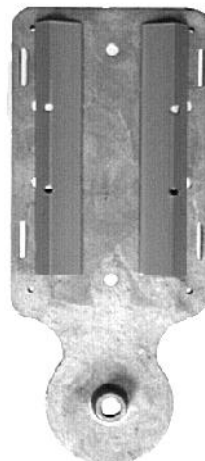
B31-
B37

B51-
B57

Flat Back/Adjustable Frame (12 models)

Available with cable guide in back (shown) or with bottom 1/2" threaded conduit entrance (the back is completely flat with a cable entrance hole but no cable guide). Two optional mounting staves convert these items to adjustable frames. (Model B22 is shown.)

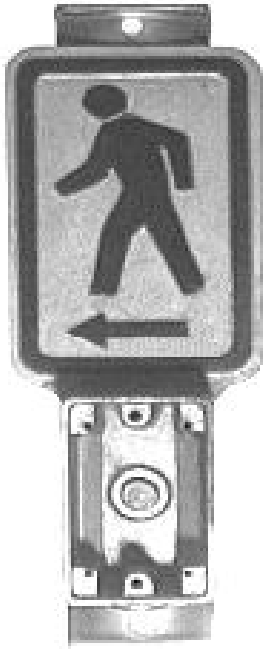
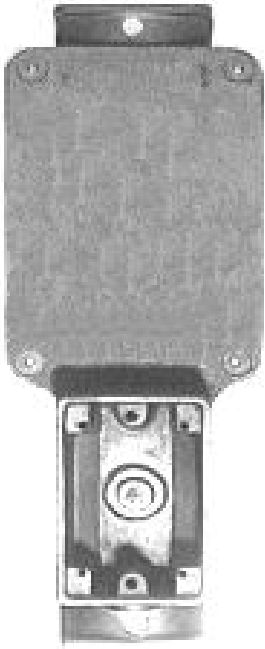
5X7 Sign	9x12 Sign	9x15 Sign	Rear cable guide	Bottom 1/2" hole	With staves
B20	B40	B60	X		
B21	B41	B61		X	
B22	B42	B62	X		X
B23	B43	B63		X	X



Configurations: Pushbutton Bodies **New!**

Integral Cast Sign (8 models)

ADA compliant pushbutton on a single piece frame casting with or without integrally cast sign face. These models are sold in natural aluminum color with outline black painted raised sign face image. There is a 1/2" threaded conduit inlet on the bottom and another in the back. The blank face unit will accommodate standard 5"x7.75" pushbutton signs. Models are available for 3" round covers and 3"x4.5" rectangular covers.



90

91

92

93

Cast Sign Models	Round cover model	Rect cover model
Blank face	B90	Q90
Left arrow	B91	Q91
Right arrow	B92	Q92
L/R arrow	B93	Q93



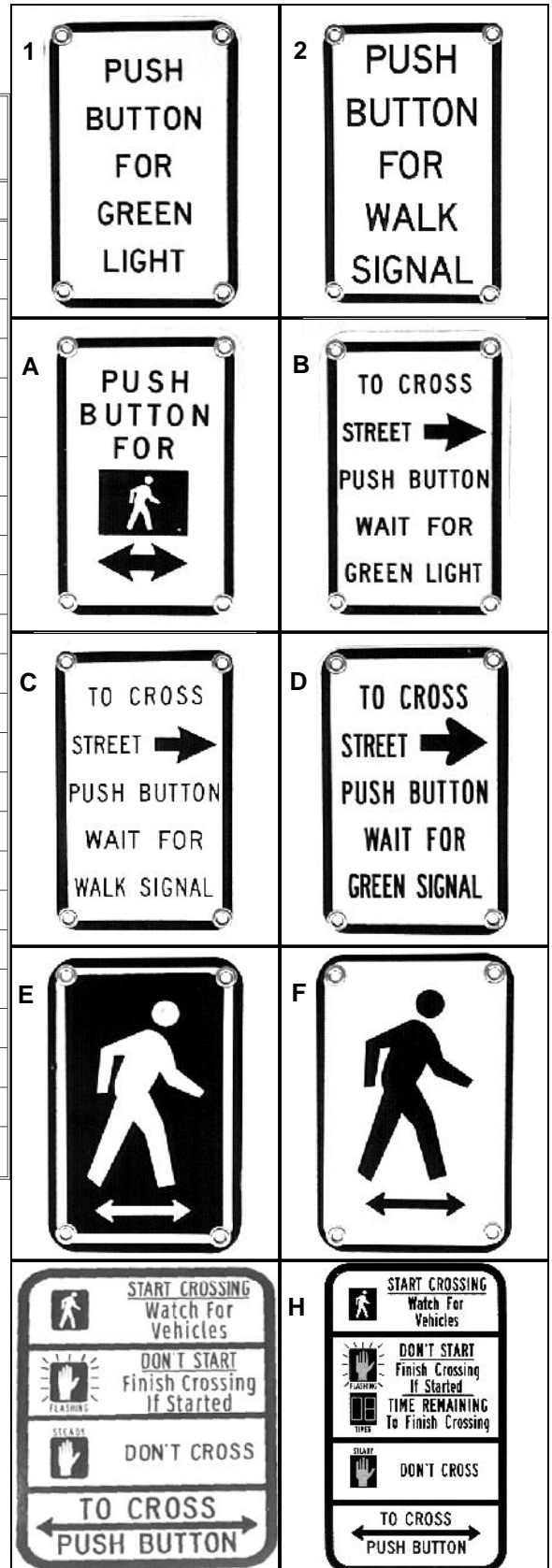
Q02



Pushbutton Signs

.063 Aluminum, EG Sheeting, Black Lettering

Style	Arrow	5X7 (5"x7.75")	9X12		9X15	
		4 Hole	2 Hole	4 Hole	2 Hole	4 Hole
1	None	1021		5505		
2	None	1024	891	6210		
A	DA	4129	5791	5506		
	R	4130	5346	5549		
	L	4131	5345	5550		
B	None	7440		7439		
	R	1023		5507		
	L	1022		5508		
C	R	1026		5512		
	L	1025		5513		
D	R	1028		5517		
	L	1027		5518		
E	DA	4123		5509		
	R	4124		5510		
	L	4125		5511		
F	DA	4126		5514		
	R	4127		5515		
	L	4128		5516		
G	DA	7402	7273	7405		
	R	7403	7274	7406		
	L	7404	7275	7407		
H	DA		6613	3705	6614	3708
	Black/ Orang	R		6617	3704	6618
	L		6619	3703	6616	3706



Traffic Signals (8"/12" PC/AL)

Four screw visor attachment
(threaded brass inserts on poly
doors)

"Tab" Visor

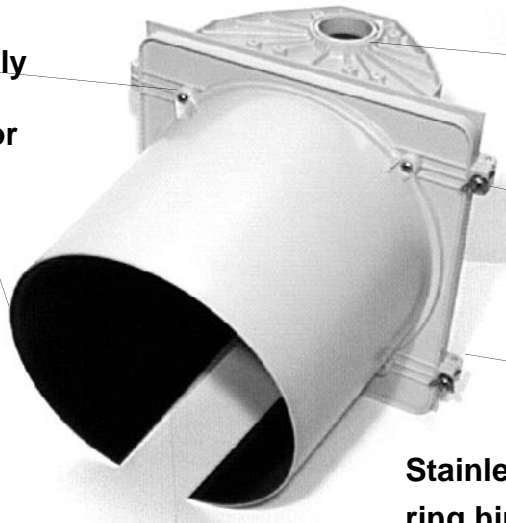
Self draining heavily
ribbed end sections
with integral shurlock

Captive wing nut
style door latch
assemblies

Backplate mounting
holes (4 per section)



LED ready 12"



Stainless steel reflector
ring hinge pins

One piece molded EPDM lens
gasket (Silicone available)

Alzak Reflector

Stainless Steel lens tabs;
(threaded brass inserts on
poly doors)



All external hard-
ware is stainless
steel

Reinforcing fins in poly head

Reflector Gasket

Fully insulated quick connect
socket wire terminals

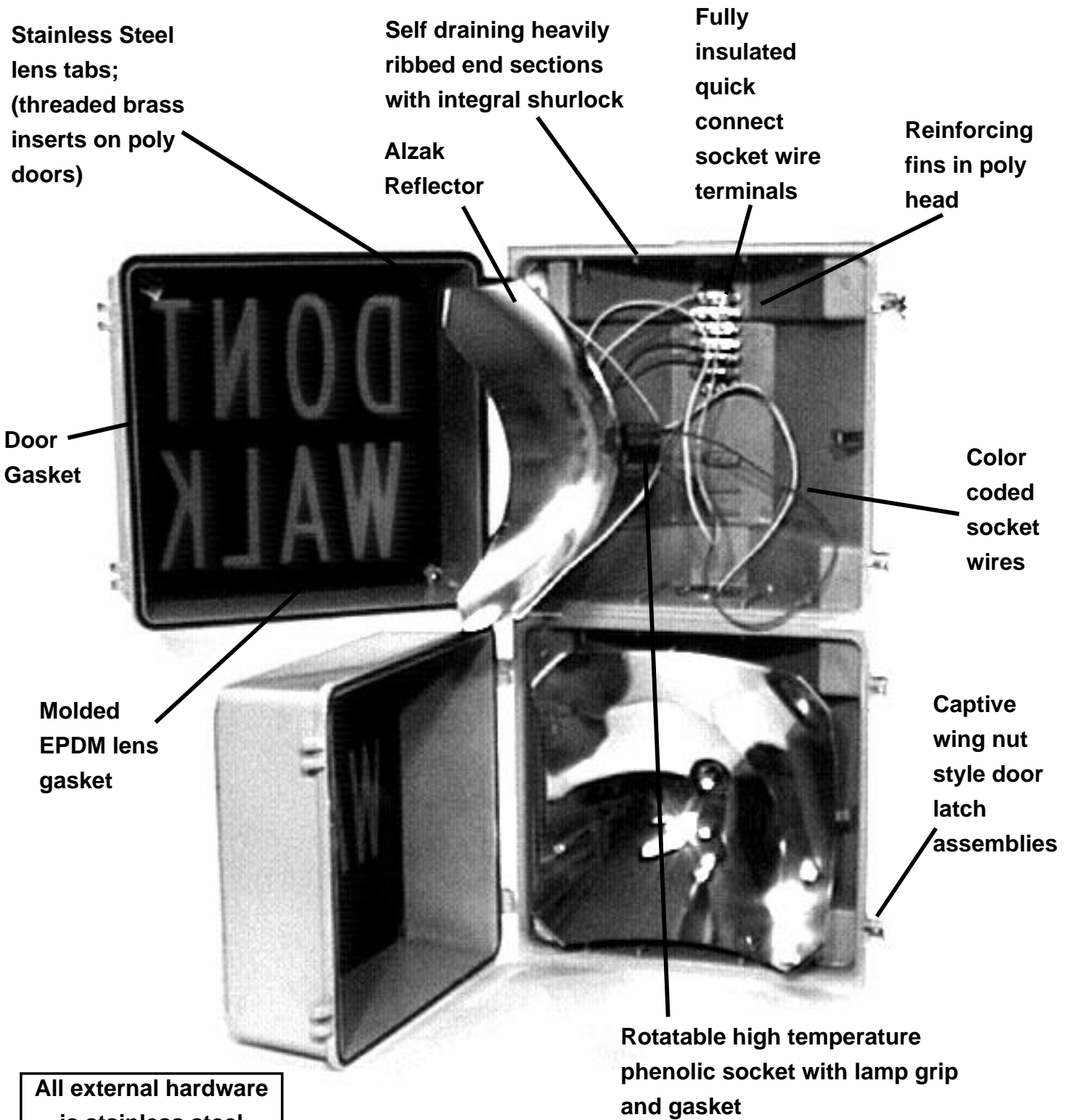
Color coded socket wires

Rotatable high temperature
phenolic socket with lamp grip
and gasket

Aluminum reflector ring

Meets/Exceeds ITE Specifications

Pedestrian Signals (12" PC/AL)



All external hardware is stainless steel

Meets/Exceeds ITE Specifications

Options:

Traffic Parts, Inc.

1. Size/Type

E=8" Vehicle T=12" Vehicle
 C=Combination Vehicle 8"/12"
 P=12" Pedestrian
 L=Lane Control (12" only)
 S=Speed Indicator (12" only)

2. Material

P=Poly A=Alum
 T=Top Section Al/Other PC
 (Vehicle Signals only)
 C=Poly Signal/Alum Visor

3. Color

Y=Yell B=Blk F=Flt Blk
 G=Dk Grn X=Special
 C=Yellow Body, Blk Door, Blk Visor
 D=Yellow Body, Blk Door, Yell Visor
 E=Yellow Body/Door, Black Visor
 V=Blk Body, Yellow Door, Blk Visor



4-5. Configuration

2 digit MPH for speed indicator
 2 digit configuration code for others

6. Terminal Block Type

5=5 position, 20a
 6=6 position, 20a (12" only)
 7=5 position, 30a
 8=6 position, 30a (12" only)
 2=2 position, 20a N=None

7. Terminal Block Location

T=Top C=Center B=Bottom
 X=Special

8. Visor

T=Tunnel C=Cap
 F=Full Circle N=No visor

9. Lens

N=None, w/1" lens clips

Option # →	P	S	G	M	D
Material: PC	X	X			
Glass			X	X	X
12" Arrows: Stenciled	X		X		
Molded				X	
Shields		X			X
8" Arrows: Stenciled	X	X	X		
Molded				X	X

10. Lamp Configuration

E=Incand/LED rdy, no gaskets
 Z=Incand/LED rdy, w/gaskets
 F=Incand w/fork terminals

11. Orientation

V=Vertical H=Horizontal

12. Support Plates

N=None 1=One top 2=One bottom
 3=Two in bottom 5=Two for elev plumb
 4=One in top section + one in bott section
 6=Doghouse (top/bottom of red)

13. Mechanical

0=Pltd Tri-stud kits 1=SS Tri-stud kits
 2=Plated screws 3=SS screws

14. LED Configuration

0=Not applicable

LED in:	LED incl	LED ready
All sections, 120vac	A	N
All sections, 12vdc	B	N
Red balls, Hand only	J	K
Red, Grn balls	L	M
Red, Grn balls/arrow	G	H
Grn balls/grn arrow	P	Q

1=Bimodal arrows (LED rdy arrows)
 S=Strobe, 12", 1 section

SIG	-	-	-	-	-	-	-	-	-	-	-	-	-	-	-	-	-	-	
Option Category →	1	2	3	4	5	6	7	8	9	10	11	12	13	14	15	16	17	18	19

Face Configuration Codes

8" or 12" Face

10	11	12													
13	14	15	20	21	22	23	24	25	27	28	3A	30	33	43	
16															
34	36	37	38	39	40	41	42	4A	44	45	46	47	48	49	4C
4B	4D	50	52	53	54	55	56	57	58	59	30	31	34		
											32	33			

Count down

Combination of 8" & 12" Face

20	21	22	30	32	33	34	35	36	37	38	39
40	41	42	43	44	45	46	47	48	49	54	56
50	51	52	53	55	57	58	59				

Lane Control

10	11	12	20
30			

Pedestrian Signals (16")

Captive wing nut style
door latch assemblies

Vandal tabs on
each side to
prevent
unauthorized
access

Three hinge fins for
greater strength



All external hardware is stainless steel

Features:

- > **Invertable design:** Door is attached using stainless steel ball pins for easy door removal and may swing from either end of the body (for left or right of door mounting).
- > **One style universal maintenance housing** will fit any mounting application!
- > Lens and Gasket mounted to door with four stainless steel tabs and screws using threaded brass inserts in door — **NOT glued to the door!**
- > **Rotatable sockets** (for proper lamp orientation) are standard
- > **Multiple Body options:** Die cast aluminum, Polycarbonate
- > **Multiple Door options:**
 - Black Polycarbonate w/integral "Z" style protectors
 - Black Polycarbonate, open style
 - Black Die cast aluminum, open style



LED rdy with open
door, term block

Options:

Traffic Parts, Inc.

1. Body Configuration

- N=Body not drilled
- C=Drilled for clamdoor mounting
- P=Drilled for top/bottom pipe mount
- B=Drilled for both with plugs
(Universal maintenance housing)

2. Message Configuration

- N=Body + Door only
(No lens,gasket,reflector,sockets)

Conf	Hand	Man
1	Incand*	Incand*
2	LED**	Incand*
3	LED**	LED**
A	LED Side by Side (Hand/Man),ILook	
F	LED Overlap,H/M,Cntdown,I-Look	

*Lamps not included (use 60,67,69w)

**LED=Socket mount LED module

3. Lens Type

- N=None (LED ready) G=Glass

4. Body/Hardware Color/Mat

- Aluminum Body Options:
Y=Yellow B=Gloss Blk F=Flat Blk
G=Dk Grn L=Light Grn Z=Bronze
A=Aluminum X=Special
- Polycarbonate Body Options:
P=Yellow Q=Black R=Dk Green

5. Terminal Block Type

- 2=5 position, 20a
- 3=5 position, 30a
- N=None

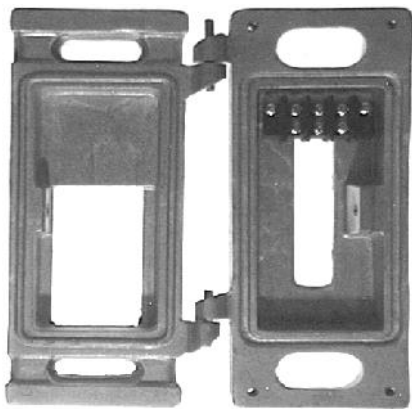
6. Mounting Hardware

- N=None
- 2=Clamdoor 2 Mount (3 pos block)
- 3=Clamdoor 3 Mount (10 pos block)

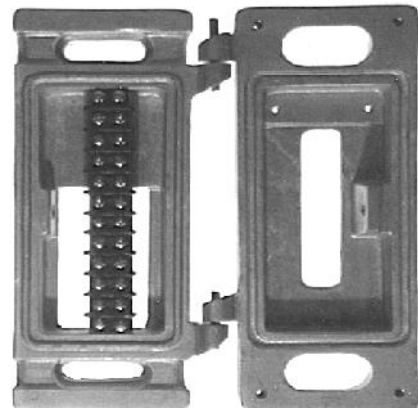
7. Visor/Door (All Black)

All visors are 6" AL tunnel, black

Door	w/o Visor	w/ Visor
Z-crate, PC	N	T
Open, PC	P	X
Open, AL	Q	Y





Clamdoor 2 Mounting



Clamdoor 3 Mounting

SSPED	-				-					-					-				
Option Category ➔	1	2	3	4	5	6	7	8	9	10	11	12	13	14	15	16	17	18	19

LED Kits

S=Stock item H=High Temp Avail A=Special order	ITE Expanded View, 120VAC				ITE, 12/24VDC	
	Pixelated (Caltrans)	Incandescent look			Incand Look	Pixel
		Hi-Flux	Std	Scrwin		
12" Vehicle						
Red Ball	S	S	S	A	S	S
Amb Ball	S	S,H	S	A	S	S
Grn Ball	S	S	S	A	S	S
Red Arrow	S	S	S	A		
Amb Arrow	S	S	S	A		
Grn Arrow	S	S	S	A		
Amb/Grn Arrow	S					
8" Vehicle						
Red Ball	S	S	S	A		S
Amb Ball	S	S,H	S	A		S
Grn Ball	S	S	S	A		S
3M Vehicle (Plug-in lamp replacements)						
Red Ball	S					
Amb Ball	S					
Grn Ball	S					
		 3M Plug-in		 Screw-in ball		
12" Pedestrian						
Hand	S					
Man	S					
Countdown	S					
Hand/Man Filled	S					
Speed limit (Specify MPH)	S					S
16" Pedestrian						
			Incand Look	Screw-In		
H/M Filled			S			
H/M Filled Countdown			S			
Hand				S		
Man				S		

**Screw-in Bulb replacement
(like 60w bulb):
#6772 Red, 120vac**



Screw-in bulb replacement



Standard ball

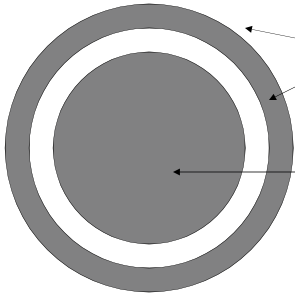


Screw-in hand/man

LED Kits

12" LED "Rapid Flash"

120 VAC, 13w

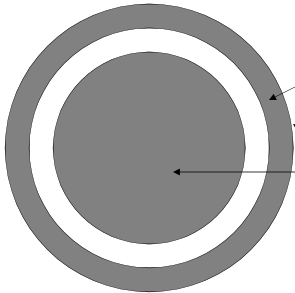


Bouncing red/white rings

Steady 8" red ball

Order #716

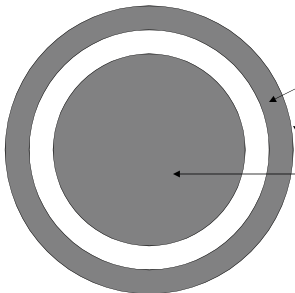
Important: Check state and local regulations for applicability.



Fast flash white ring

Steady 8",12" red ball

Order #717



Fast flash white ring 5 sec

Steady 8",12" red ball

Order #718



#6826 Law Enforcement Tattletale
2" Diameter 44LED Red Indicator (shown with pivot mounting — other mountings available)

Replacement Lenses

Vehicle Signal Lenses (ITE)

Description		12"		8"	
Type	Color	Poly	Glass	Poly	Glass
Ball	R	479	601	482	595
	A	478	602	481	596
	G	477	603	480	597
Left Arrow (Stenciled)	R	628		1191	
	A	484		1192	
	G	483		1193	
Right Arrow (Stenciled)	R	2735		2738	
	A	2736		2739	
	G	2737		1758	
Straight Arrow (Stenciled)	R	1475		1478	
	A	1474		1477	
	G	1473		1476	
Molded Arrow	R	NA	1654	NA	1741
	A	NA	1653	NA	1739
	G	NA	1652	NA	1740
Arrow With Alum Shield	All			NA for 8" lenses	
				NA for Glass lenses	
		Specify PC Ball Lens plus #3477 Shield (GenSig), #2075 Shield (MGN, Lexalite,AKT,TCON)			

➤ Note: Above replacement lenses will fit most signal heads but some brands require special lenses; always check with sales department prior to ordering.

Pedestrian Signal Lenses

Description (Glass lenses are special order)	12" (12"x12")		9" (8.75"x9.25")	
	Poly	Glass	Poly	Glass
Walk (White)	486	2418	635	1690
Dont Walk (Orange)	487	2419	636	1689
Man (White)	488	3092	637	3514
Hand (Orange)	485	3093	638	3515

Backplates

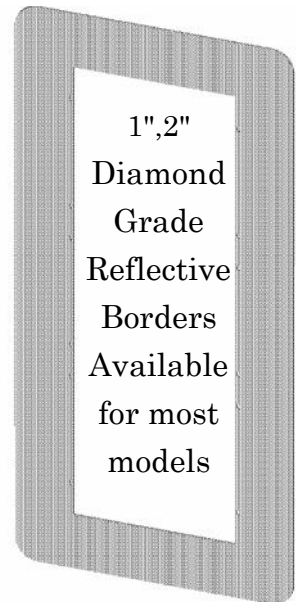
One Piece							Riveted		
Flat PC (.093)	Vac Form ABS		ALUM (.050)				Flat PC (.093)	ALUM (.050)	
	Plain	Louvr	Plain	w/3" Louvers		Plain		Vert w/3" Louvr	
				Vert	Horiz				
12" CH/TCT									
1 Sec	6762						6762	6761	4146
2 Sec	2793						6765	2793	
3 Sec	5848	4484	4085	5297	5330	5626	6982		
4 Sec	6763	4485	4087	5299	5332	5627	6763		
5 Sec	6764	4486	4088	5300	5333	5628	6764		
12" CH/TCT w/ 1 3/8" Plumbizer									
3 Sec		4056	4057	5298	5331				
4 Sec					2038				
5 Sec					2039				
12" CH/TCT 5 Section Clusters									
2" Spac	6307				6804				
1" Spac	7055				7386				
8" CH/TCT									
3 Sec	7048			7047	7046				

Other Flat PC (.093) one piece blackplates available:

- #6124 (3 sec Eagle PC,AL)
- #6388 (3sec LFE/Auto)
- #7217 (3 sec Auto or Eagle, w/breakout)
- #6153 (3 sec Trafcon)
- #7183 (3 sec McCain)

Note: Order Mounting screw kits separately

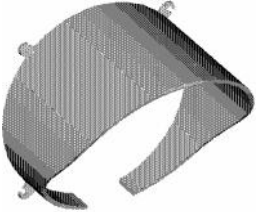
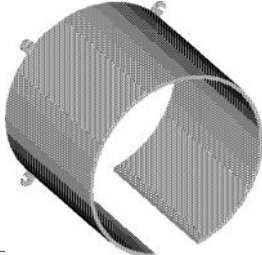
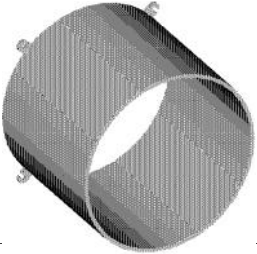
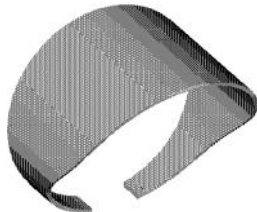
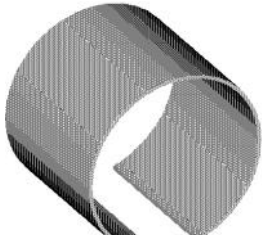
- #1786 (For 3S PC signals) All 5"
- #1784 (For 3S AL signals) borders
- #1787 (For 4/5S PC signals)
- #1785 (For 4/5S AL signals)



ABS Vacuum Form
Cross Section

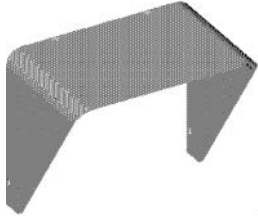
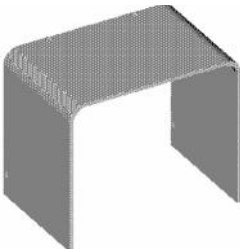
Replacement Visors (Veh Signals)

Note: Replacement visors below will fit most signal heads, but some brands require special visors; always check with sales department prior to ordering.

Description		12"			8"	
Type	Color	Poly	Alum	Poly	Alum	
Cap (Tabs, for CH)		Yellow	2382	5537	2743	5531
		Black	3806	5538	3801	5532
		Dk Grn	3807	5539	3802	5533
Tunnel (Tabs, for CH)		Yellow	1777	5540	2407	5534
		Black	2575	5541	3803	5535
		Dk Grn	3805	5542	3804	5536
Full Circle (Tabs)		Yellow	6133	5302	*	*
		Black	7372	5303	*	*
		Dk Grn	*	5098	*	*
Cap (For Eagle)		Yellow	*	927 (slots)	*	*
		Black	*	4279 (slots)	*	*
		Dk Grn	*	5304 (slots)	*	*
Tunnel (For Eagle)		Yellow	6298 (tabs)	564 (slots)	*	*
		Black	6299 (tabs)	790 (slots)	*	*
		Dk Grn	6300 (tabs)	792 (slots)	*	*

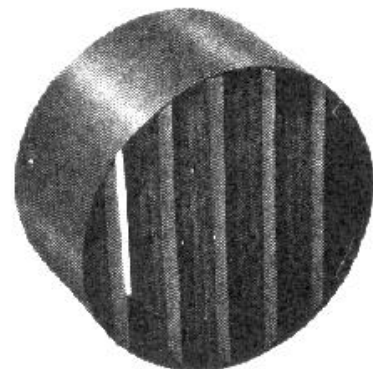
*=Special

Replacement Visors (Ped Signals)

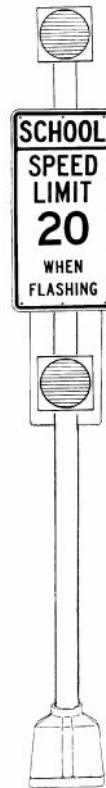
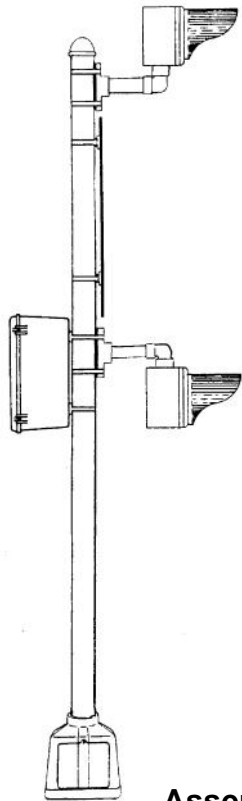
Description		12"		16"	
		Color	ABS	Alum	Alum
Cap (CH/TCT) 		Yellow	3798	991	
		Black	3799	4277	
		Dk Grn	3800	4408	
Tunnel (CH/TCT) 		Yellow	2310	3524	1967
		Black	4406	4278	3107
		Dk Grn	3797	4407	1966

Louvers for CH Vehicle Signals:

- #3435 (For 12" CH, 7°, 5 vane, aluminum)
- #7437 (For 12" CH, 0°, 9 vane, aluminum)
- #1494 (For 8" CH, 7°, 6 vane, aluminum)
- #7387 (For 11" Eagle, 7°, 5 vane, aluminum)



Vertical Warning Flashers



School Zones

Intersections

Fire Stations

Truck Entrances

Emergency Entrances / Exits

Assemblies available with or without signs.

Assemblies feature:

- All aluminum hardware (painting optional)
- 8" or 12" (Polycarbonate or aluminum) yellow beacons
- Optional illuminated speed limit face
- Standard or custom sign legends available
- Illuminated numerals are 8" tall, red

Assemblies do not include (order separately):

- Flasher cabinet
- Anchor Bolt Template
- Banding material
- Lamps
- Reinforcing Pole Collars
- Power installed base foundations

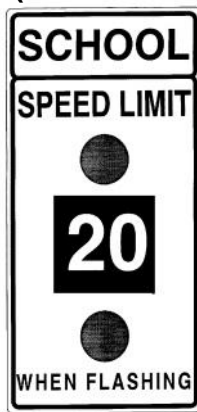
1



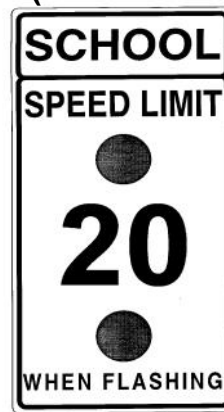
2



3 (8" Beacons)
A (12" Beacons)



4 (8" Beacons)
B (12" Beacons)



5



Options:

Traffic Parts, Inc.

- 1. Pole type** (w/alum pole cap, if reqd)
 S=Steel (Galv) T=Steel, no pole cap
 A=Al B=Al, no pole cap N=None

2. Pole Length

0=10' 1=11' 2=12' 3=13' 4=14' 5=15'
 6=16' 7=17' 8=18' 9=19' T=20' N=None

Approx. grnd clearance w/base + 10' pole		
Sign Type	Hdwr Config	Grnd Clearance
1	1A/1F	5'6"
	1B	7'
	1C	4'
	1D/1G	3'4"
	1E	7'
2	2A	4'
	2B	7'
3,4	3A,4A	6 1/2'
5	1A	6 1/2'
	1B	8 1/2'
	1C	5 1/2'
	1D	4 1/2'
	1E	8 1/2'

3. Base (*=With 1/4" Ground Lug)

*1=Square,Al 2=Octag,Al N=None
 3=Square,Fe 4=Octag,Fe X=Special
 *5=Sq Al, long neck, ASHTO
 6=Split Dec Base, Plastic
 *P=Sq Al, w/Plastic Door, ASHTO

4. Anchor Bolts/Foundation

3/4"X18"X3 1/2", w/flat wshr, hexnut
 N=None S=Black Steel G=Galv
 F=8"x5' Foundation Anchor, Sch 20

5. Flashing Beacon Size/Color

9=LED Rdy, 8" 0=LED Rdy, 12"

	Incandesc		LED, 120vac		LED, 12vdc	
	8"	12"	8"	12"	8"	12"
Yel	E	T	1	2	5	6
Red	R	S	3	4	7	8

6. Signal/Sign Material

P=PC on EG Sign 1=PC FYG HI Sign
 A=AL on EG Sign 2=AL on FYG HI Sign

7. Signal Visors

T=Tunnel C=Cap N=None

8. Signal Housing Color

Code->	Y	B	F	G	C	V	E	X
Body	Y	B	FB	G	Y	B	Y	?
Door	Y	B	FB	G	B	Y	Y	?
Visor	Y	B	FB	G	B	B	B	?

9. Sign Type (EG on .080 Al)

Outboard Flashing Beacons:

1=Printed Speed Limit (S5-1), 24"X48"

2=Illuminated Speed Limit, 24"X48"

Inboard Flashing Beacons (8", 12" Al only):

12" Illum Speed: 3=30"X60", A=36"X72"

Printed Speed: 4=30"X60", B=36"X72"

5=School Crossing (S2-1), 30"X30"

N=None X=Special (Most hwy signs avail)

10. Speed Limit (LED)

4=15mph 5=20mph 6=25mph N=N/A

Y=LED, 120vac, Specify mph

Z=LED, 12vdc, Specify mph

11-12. Configuration (1A, 2A, etc.)

13. Paint Items

N=None (natural finish) X=Special

1=Mnt Hdw Only 2=Mnt Hdw, Pole, Base

14. Color

Y=Yellow B=Gloss Blk F=Flat Blk

G=Dk Grn L=Light Grn Z=Bronze

X=Special N=None (natural finish)

15. Pole Mounting

B=Banding, 4.5" OD pole

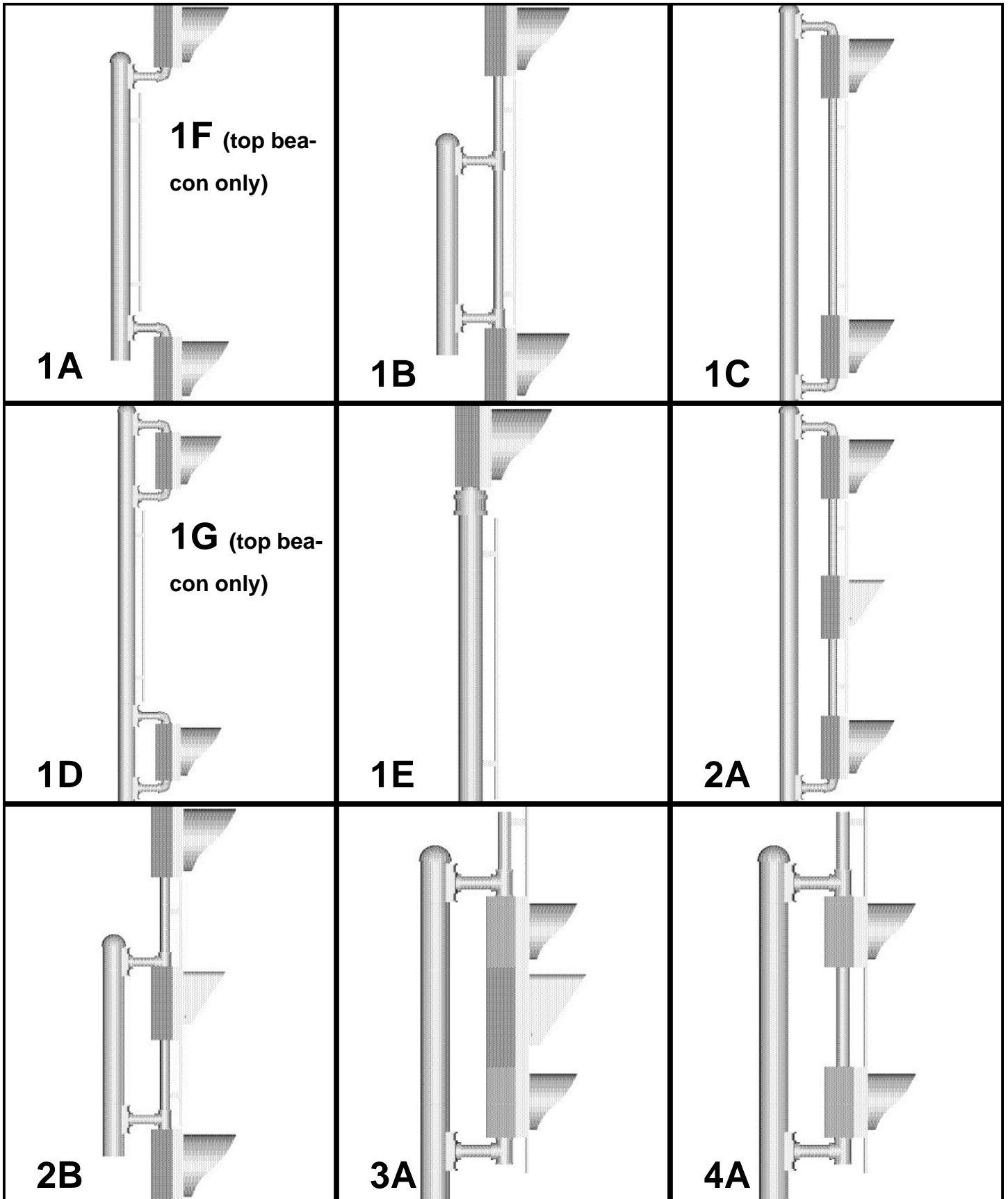
U=U-Bolt Mount, 4.5" OD pole

P=PC Arms N=No pole plates/post top

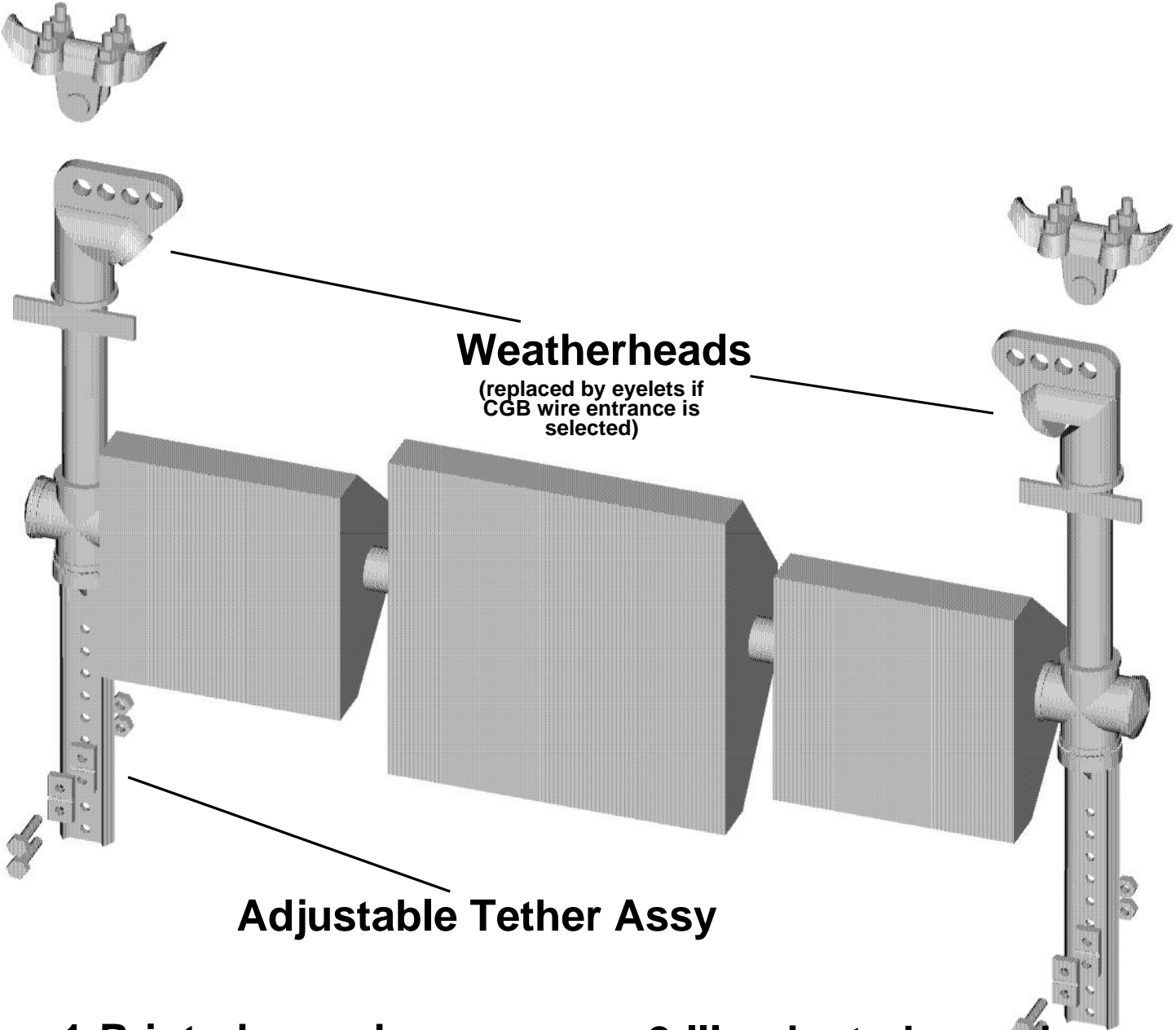
W=Wood pole (#1176/1177 pole plates)

VWARN	-				-					-					-										
Option Category ➔		1	2	3		4	5	6		7	8	9		10	11	12		13	14	15		16	17	18	19

Configurations: Vertical Warning Flashers



Horizontal Warning Flashers

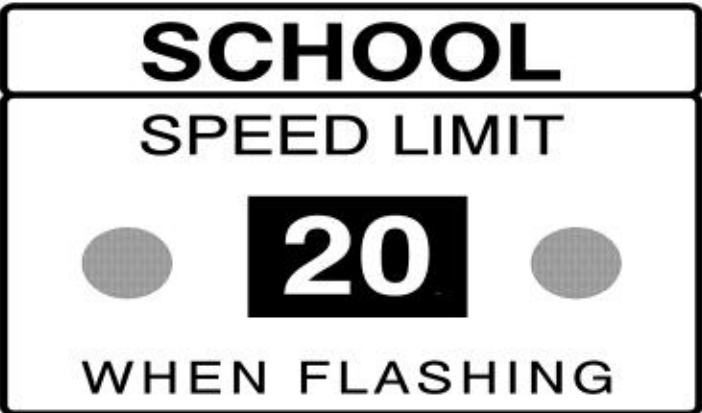
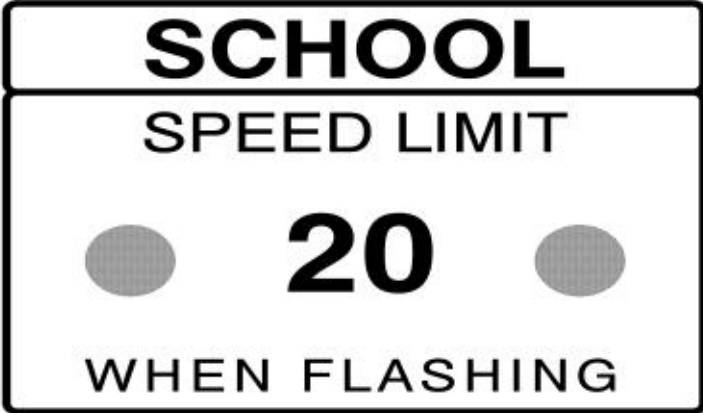


Weatherheads
 (replaced by eyelets if
 CGB wire entrance is
 selected)

Adjustable Tether Assy

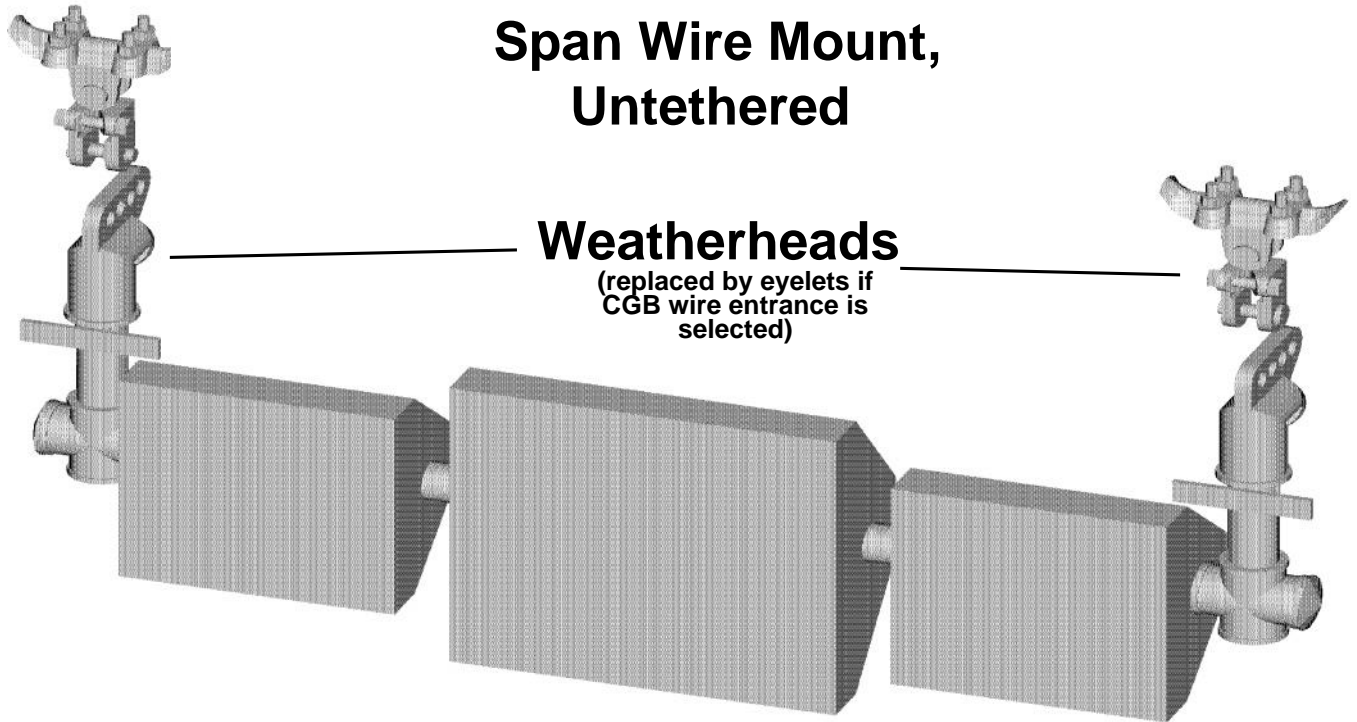
1-Printed speed

2-Illuminated speed



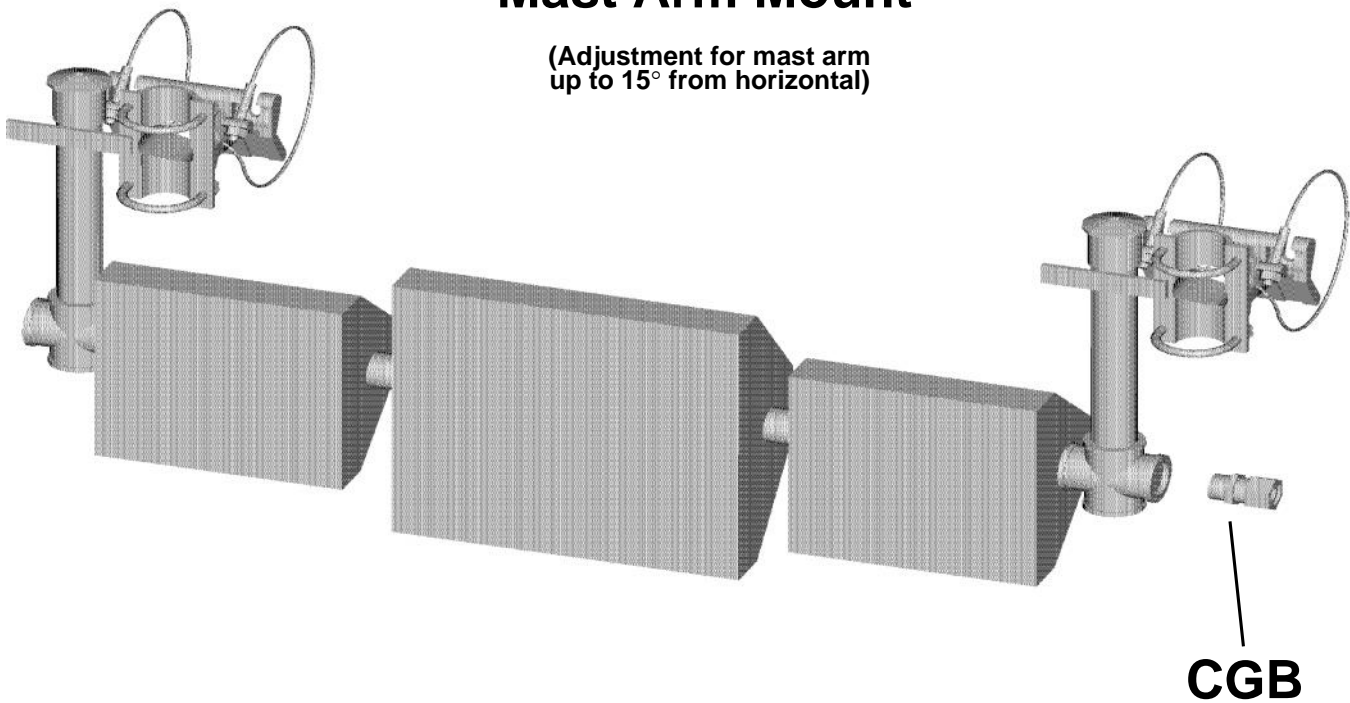
Horizontal Warning Flashers

Span Wire Mount, Untethered



Mast Arm Mount

(Adjustment for mast arm
up to 15° from horizontal)



Options:

Traffic Parts, Inc.

Configuration

1. Sign

1=Printed/EG A=Printed/FYG on HI
 2=Illum/EG B=Illum/FYG on HI

2. Speed Limit

1=15 2=20
 X=Special Incand, Specify MPH
 Y=Special,LED,120vac,Spec MPH
 Z=Special,LED,12vdc,Spec MPH

3. Mounting hardware

A=Span wire, Tethered
 B=Span wire, Un-tethered
 Mast arm (EZ bracket clamp kits):
 1=29" Strap 7=62" Cable
 2=36" Strap 8=84" Cable
 3=42" Strap 9=98" Cable
 4=48" Strap 0=120" Cable
 5=56" Strap

4. Wire entrance

C=1" CGB
 H=Through the hardware
 Notes:
 a. With CGB option, the weatherheads on the span wire mounts are replaced with eyelets.
 b. With the 'through the hardware'

option, the wire is routed through the weatherheads on the span wire mounts and through the EZ bracket clamp kit/gussetted tube on the Mast arm mount.

5. Signal Housing Color

Y=Yellow B=Black
 G=Dark Green X=Special
 C=Yellow Body, Blk Door, Blk Visor
 V=Blk Body, Yellow Door, Blk Visor

6. Signal Visors

T=Tunnel C=Cap N=None

7. Paint Items

1=All mounting Hardware (except span wire hangers/EZ brac clamp kits)
 2=All Mounting Hardware
 N=None (natural finish) X=Special

8. Paint Color

Y=Yellow B=Gloss Blk F=Flat Blk
 G=Dk Grn L=Light Grn Z=Bronze
 X=Special N=None (natural finish)

9. Flashing Beacons

0=LED Ready

	Incand	LED, 120vac	LED, 12vdc
Yel	Y	1	3
Red	R	2	4

Assemblies feature:

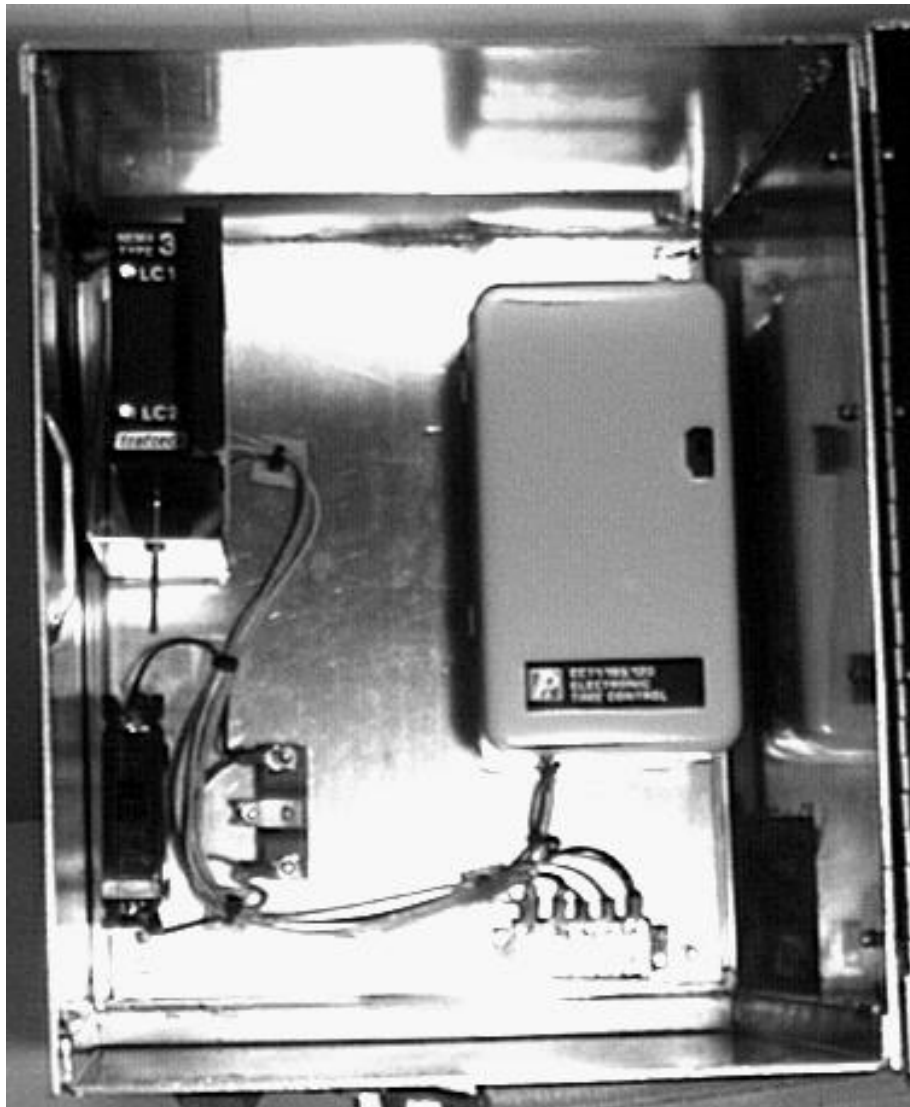
- 36" x 48" x .080" Aluminum Sign
- EG or FYG on HI Reflective Sheeting
- All aluminum hardware (painting optional)
- 8" aluminum beacons (yellow face)
- 12" aluminum illuminated speed limit face

Assemblies do not include (order separately):

- Flasher cabinet Lamp
- High Intensity/Fluorescent Reflective Sheeting available upon request

HWARN	-				-					-															
<i>Option Category</i> ➔		1	2	3		4	5	6		7	8	9		10	11	12		13	14	15		16	17	18	19

Flasher Cabinets



Flasher Cabinet Standard Features:

14" x 11" x 11" All aluminum Cabinet

Universal mounting tabs (Attach with lag bolt, banding, gear clamps)

Standard police key lock w/1 key

Replaceable two-circuit NEMA Flasher:

Rated for traffic use

Easy Access Horizontal Plug-in

15A Circuit Breaker

Surge Arrestor (Heavy duty model optional)

Terminal Block for electrical connections

Screened vents for convection cooling

Options:

Traffic Parts, Inc.

Activation

1. Time Clock/TDR

- N=None X=Special
- 2=Manual, Key Sw or Ext NO(Presence)
- 3=TDR, Momentary Keyswitches
- 5=TDR, PB/External Momentary NO
(Order remote buttons separately)
- P=TDR, Wireless XMT/RCVR
- L=Loop Amp Activation
- 365 day clocks (various brands) avail

Auxiliary Equipment

2. Line Filter

- N=None Y=Std duty (30a)
- H=Heavy Duty (60a)

3. Surge Protector

- 1=Std Duty 2=Hvy Duty
- 3=Extra Heavy Duty

4. Relay Activation

- Isolation relay between clock and flasher unit to protect clock.
- N=None Y=Std Duty (10a)
- H=Heavy Duty (20a)

5. Flasher

- 1=NEMA, discrete components
- 2=NEMA, replaceable cubes
- 3=NEMA, discrete, dimmable
- 4=CALTRANS flasher
- C=Cube Flasher N=None

Entrance Hubs (Installed)

Specify Location

6. Number of installed hubs

- N=None 1,2,3,4 (note location)

7. Size of installed hubs

- A=3/4" B=1" C=1 1/4"
- D=1 1/2" E=2" N=None

Hardware/Paint

8. Color

- N=None (natural finish)
- Y=Yellow B=Gloss Blk F=Flat Blk
- G=Dk Grn L=Light Grn Z=Bronze
- X=Special

9. Mounting Brackets

- N=None
- 1= Light duty SS Banding Brkts (2)
- U= UBolt Mount (1), 4.5"OD pole
- V= UBolt Mnt (1),4.5"OD pole,
w/vandal cones
- B= Heavy duty Banding Mount (1)
- S= Square Pole, 4"

10. Cabinet

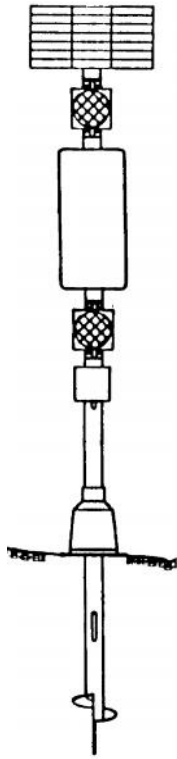
- 1= Basic (14x11x11/Slam Lock)
- 2=TXDOT (18x12.75x11.75/Slam Lock)
- X=Special

11. Lock/Key Type

- P=Police Key
- 2=#2 key

FLCAB	-				-					-					-										
<i>Option Category</i> ➔		1	2	3		4	5	6		7	8	9		10	11	12		13	14	15		16	17	18	19

Solar Flasher Controllers



Solar Controllers Include:

Cabinet

Batteries

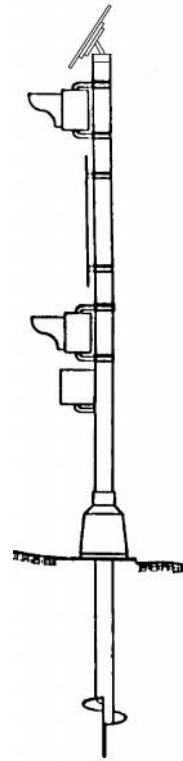
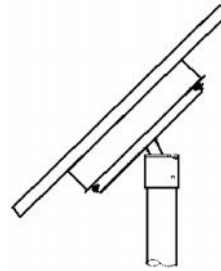
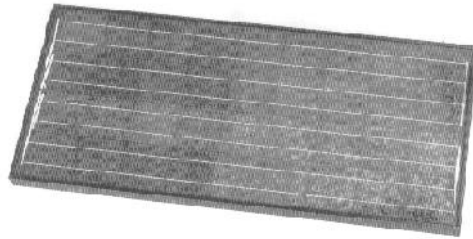
Charging Controller

Options Include:

Time Clock

12vdc Flasher

Wireless Activation



Solar System Components:

Solar cabinet (this page) including:

Batteries

Control electronics

Warning flasher assembly including:

(See "Vertical Warning Flashers")

Pole and Base

Power installed foundation or
anchor bolts

Sign

Signals

Optional Reinforcing Pole Collar

Solar Panel

Solar Panel Mounting Kits

(See "Solar Panel Mounting Kits")

Your salesperson will help you properly size your solar panels and batteries, accomplish your activation scheme, and configure all of the components needed for your system.

Application Requirements

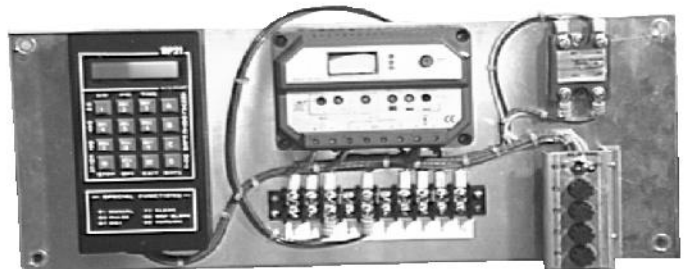
In order to properly size your panel and batteries your salesperson will need:

Total load watts

Number of hours per day operation

Your latitude (zip code)

In order to recommend the activation your salesperson will need a description the system ON/OFF operation.



Solar Flasher Controllers

Batteries

We offer only top quality gel cell 12v batteries manufactured specially for solar applications.

We also offer an optional "Power Pulse" module that helps maintain the freshness of the battery under small load conditions.

Loads

A variety of flashers are offered including:

- "Cube" flasher
- "NEMA style" Plug-in
- Dimmable flashers

Custom loads:

- NO output dry control contacts
- Switched 12vdc load terminal connections with options including:

Charge Controllers

Charge controllers provide the interface between the solar panel and the batteries to assure proper charging and protection of both the panel and the battery. We offer units from several manufacturers in different physical and electrical sizes. Your salesperson will recommend an appropriate unit based on your system requirements.

Activation

Activation methods include:

- 24 Hour operation
- Manual keyswitch
- "Presence" NO dry contact input
- Time Delay Relay (TDR) or Alternating Relay activated by:
 - Momentary PB
 - NO momentary dry contact
 - Wireless Transmitter/Receiver
- Time Clocks, 365 Day

Cabinets

High quality fabricated aluminum cabinets

High quality fabricated aluminum cabinets

- 1-4 batteries
- Slam or Deadbolt locks
- Swingout panels
- Mounting brackets including:
 - U-bolt mount for 4.5" OD pole
 - Optional "vandal cones"
 - Banding mount for flat and round poles
- Cabinets may be ordered painted



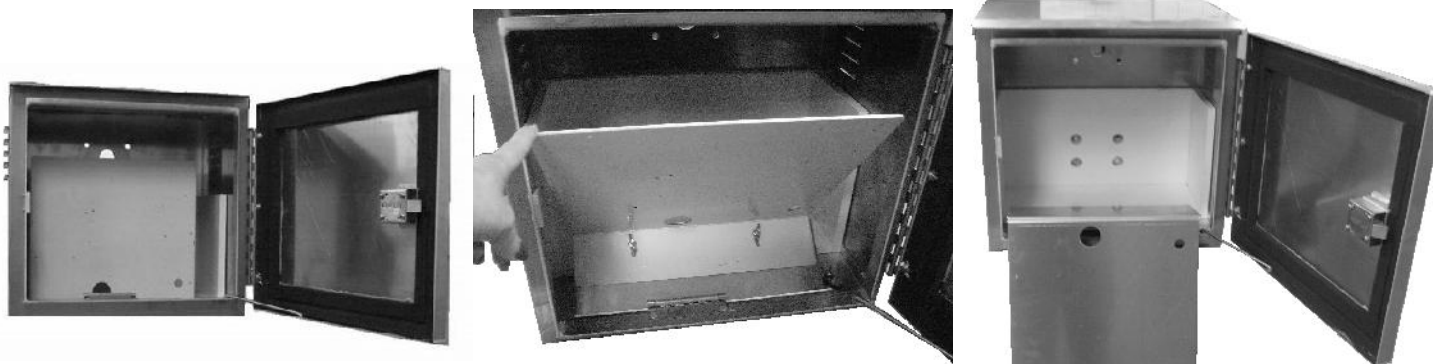
Economical 1 Battery Solar Cabinet with Swing Out Panel (#7781)

NEMA 3R Standards

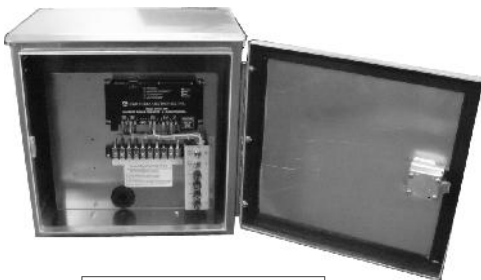
Insulated Battery compartment

Police lock and key

Small Size: 17"W x 18"H x 13"D



Other Cabinets



0 Battery Cabinet

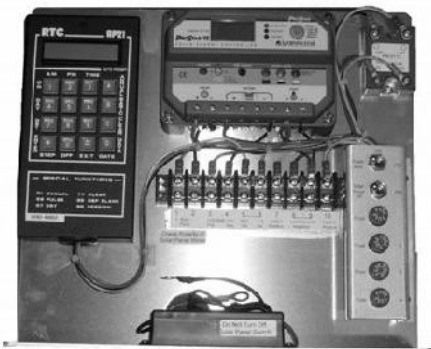


1,2 Battery Cabinet



3,4 battery cabinet

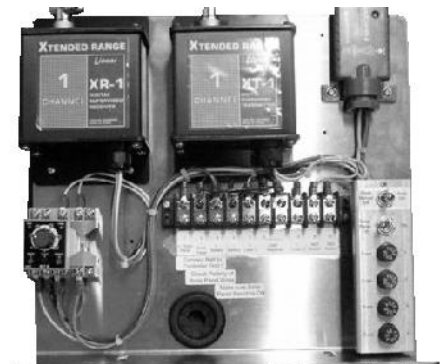
Typical backpanels



Controller,Clock,Cube Flasher, Power Pulse

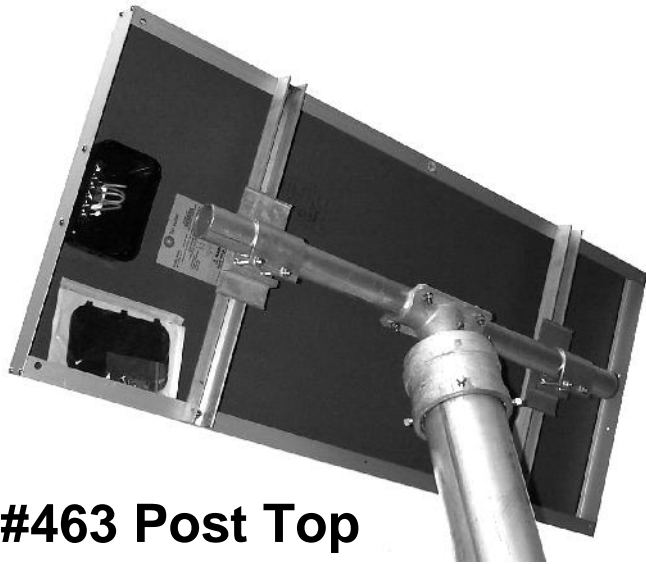


Controller,Clock,Cube Flasher

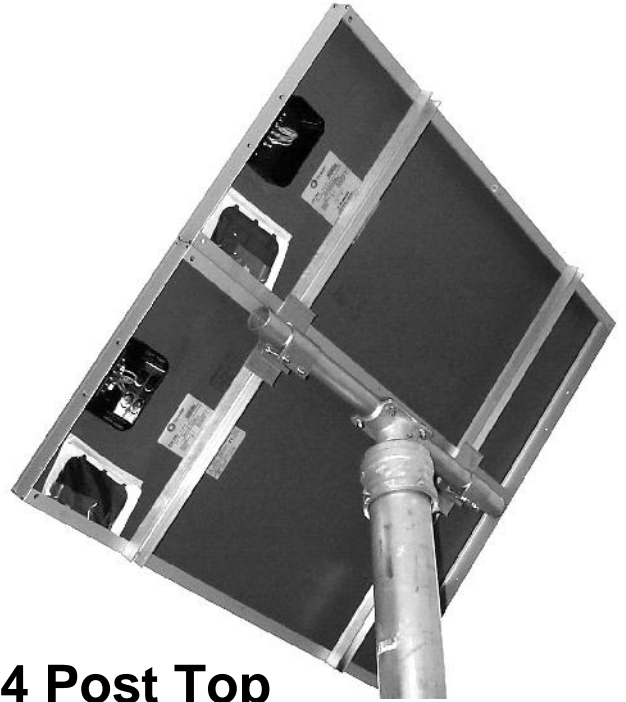


TDR,Small Controller,Transmitter/Receiver

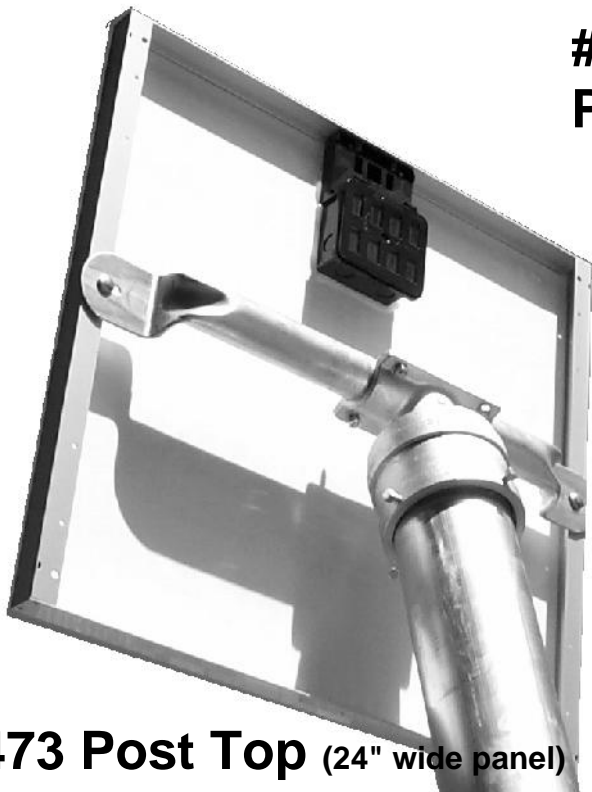
Solar Panel Mounting Kits



#463 Post Top

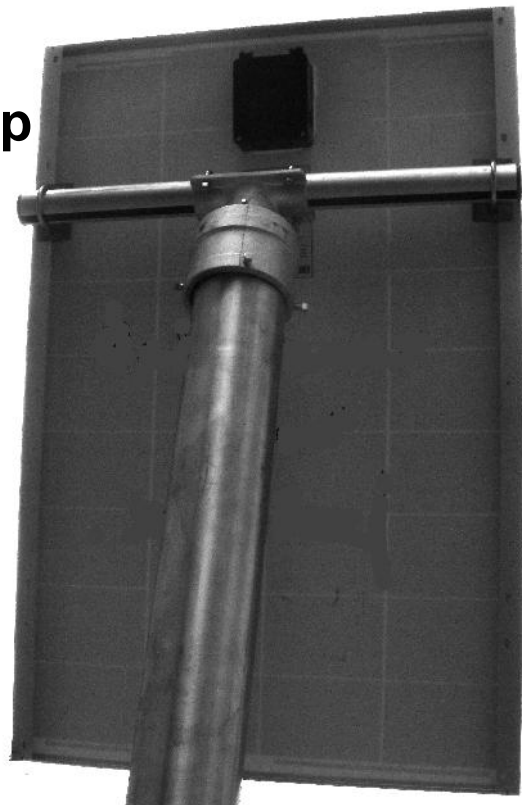


#474 Post Top



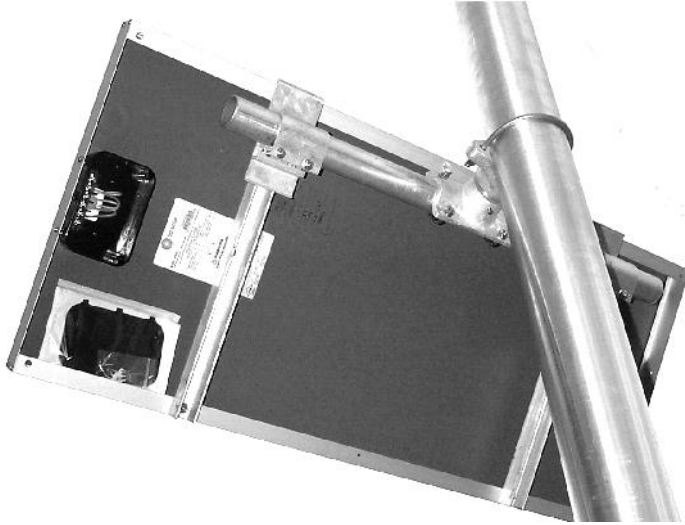
#473 Post Top (24" wide panel)
Also available for: 12", 18", 30", 36" wide panels

**#466
Post Top**

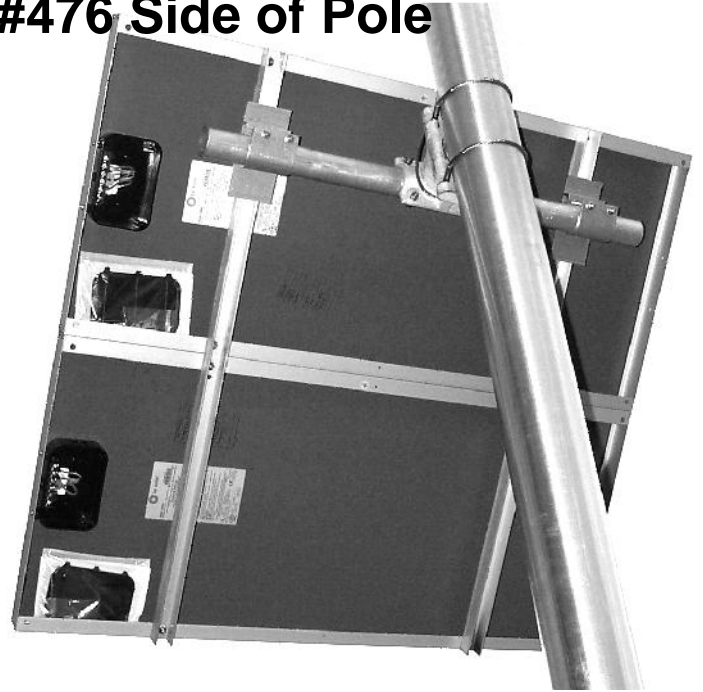


Solar Panel Mounting Kits

#475 Side of Pole



#476 Side of Pole



#467 Side of Pole Butterfly



#260 Post Top

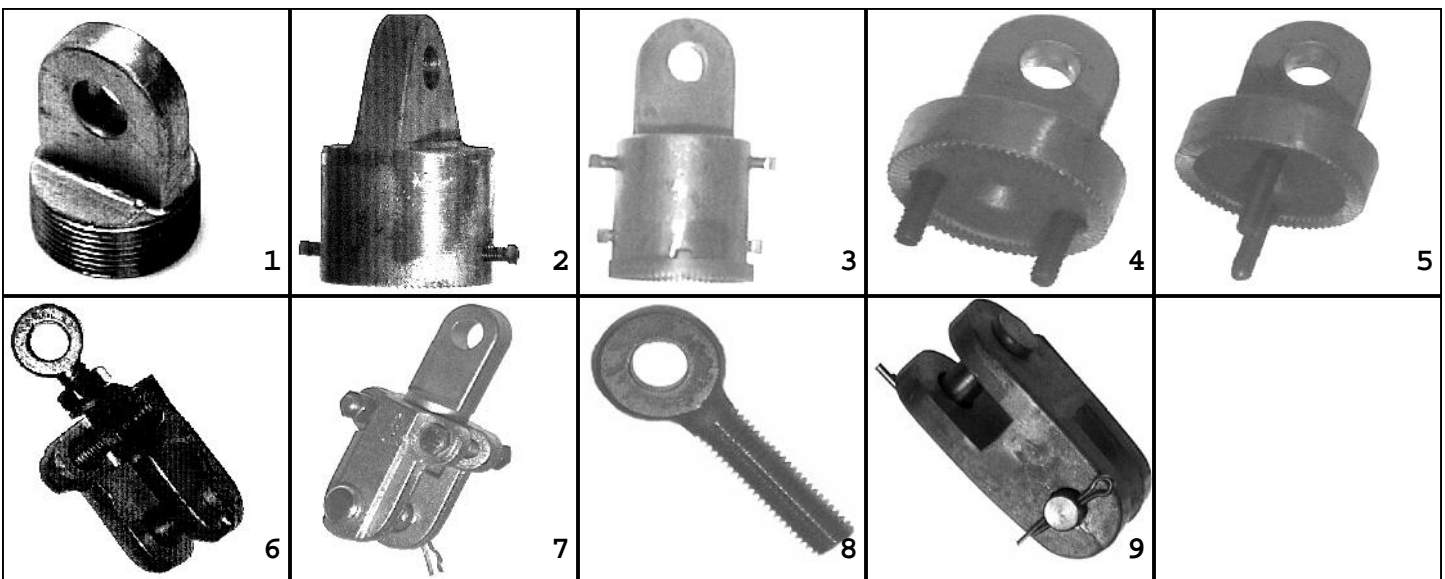


Traffic Parts,

Component parts for
SPAN WIRE

Pic# P/N Description:

1	111	BALANCE ADAPTER,AL	1.5"MNPS	P2
1	6741	BALANCE ADAPTER,BRONZE	1.5"MNPS	P2
1	1533	BALANCE ADAPTER,AL,SSBUSH	1.5"MNPS	P2
2	1775	BALANCE ADAPTER,ALUM,1PC	1.5"FNPSL,2SS	P2
2	1773	BALANCE ADAPTER,GALV,1PC	1.5"FNPSL,2SS	P2
3	1768	BALANCE ADAPTER,AL	1.5"FNPSL,2SS	P2
3	1769	BALANCE ADAPTER,AL,SSBUSH	1.5"FNPSL,2SS	P2
4	5892	BALANCE ADAPTER,AL,DUOSTD	STUDS PARALLEL TO EYE	P2
5	7397	BALANCE ADAPTER,AL,DUOSTD	STUDS PERP TO EYE	P2
6	2731	BAL ADJ,GALV,5/8"WEH	STEEL EYEBOLT	P2
6	5613	BAL ADJ,GALV,5/8"WEH	STEEL EYEBOLT,SSHDWR	P2
6	3069	BAL ADJ,BRONZE,5/8"WEH	STEEL EYEBOLT	P2
6	5616	BAL ADJ,BRONZE,5/8"WEH	STEEL EYEBOLT,SSHDW	P2
6	1010	BAL ADJ,ALUM,3/4"WEH	STEEL EYEBOLT	P2
6	4368	BAL ADJ,ALUM,3/4"WEH	STEEL EYEBOLT,SSBUSH	P2
6	5614	BAL ADJ,ALUM,3/4"WEH	STEEL EYEBOLT,SSHDW	P2
6	5615	BAL ADJ,ALUM,3/4"WEH	STEEL EYE,SSBUSH,SSHDW	P2
7	6313	BAL ADJ,GALV,EZ	1/2"EYEBOLT,3/4"WIDE SLOT	
7	6364	BAL ADJ,GALV,EZ	1/2"EYEBOLT,1/2"WIDE SLOT	
7	6365	BAL ADJ,GALV,EZ	3/4"EYEBOLT,1/2"WIDE SLOT	
7	6366	BAL ADJ,GALV,EZ	3/4"EYEBOLT,3/4"WIDE SLOT	
8	4796	EYEBOLT,BRASS	FOR BALANCE ADJUSTER	P1
9	5193	CLEVIS HANGER,IRON	3/4"X3/4",W/PINS,SPC	COLR
9	4394	CLEVIS HANGER,IRON	3/4"X3/4",W/PINS	P2
9	5117	CLEVIS HANGER,AL	3/4"X3/4",W/PINS	P2
9	5119	CLEVIS HANGER,AL	1/2"X1/2",W/PINS	P2



800.345.6329

97

www.trafficparts.com

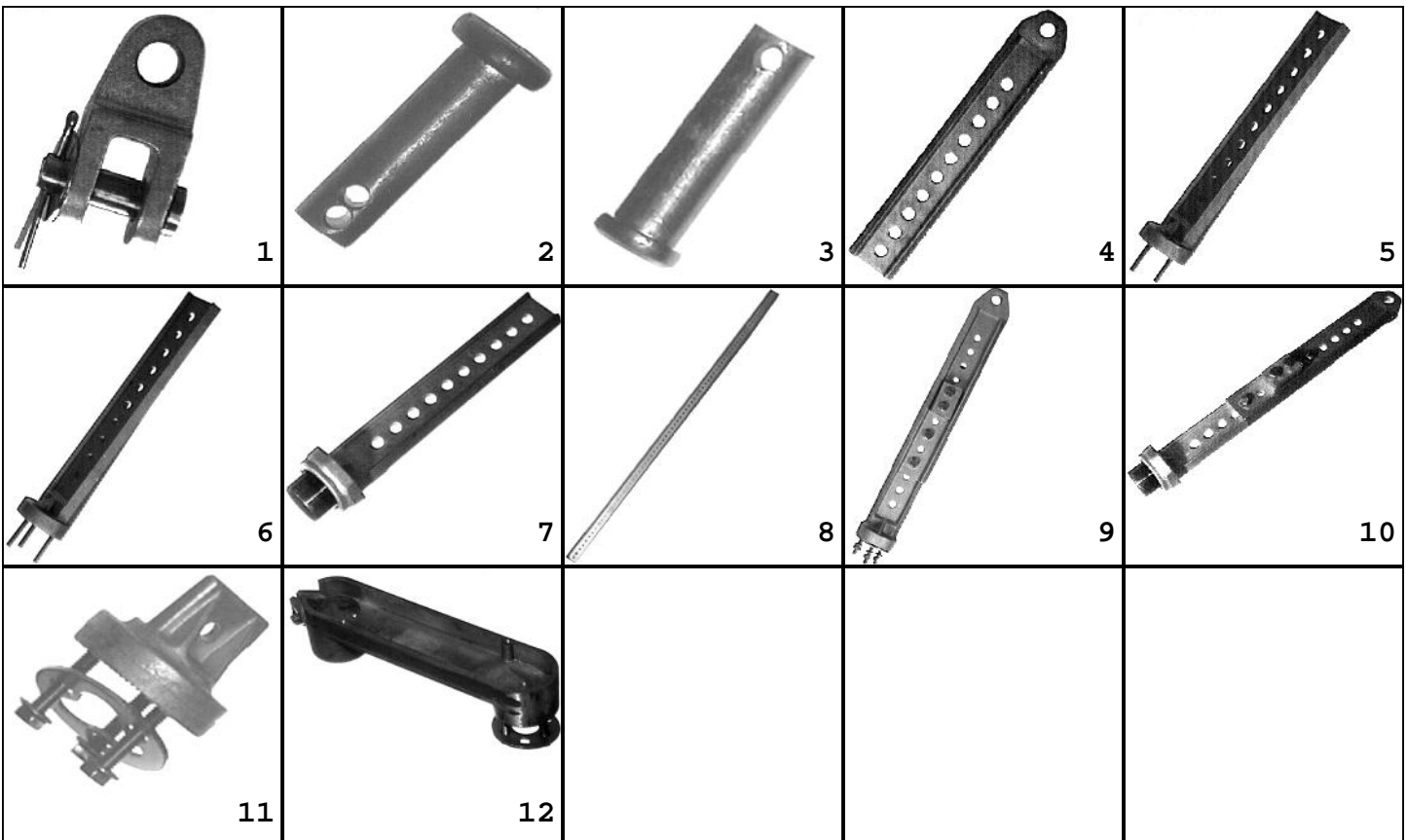
©Traffic Parts, Inc.

Traffic Parts,

Component parts for
SPAN WIRE

Pic# P/N Description:

1	2759	CLEVIS HANGER ASSY,AL	SSBUSH,SS CLEV PIN	P2
2	2732	CLEVIS PIN,5/8"X2 1/4"	SS,2 HOLE	
3	6034	CLEVIS PIN,5/8"X2 1/4"	PLTD,(AL SWH/2PC BAL ADJ)	
	6035	COTTER PIN,ZINC PLTD	5/32X1",HUMP PRONG	
4	4262	HANGER,AL,ADJ,UPPER,13.5"		P2
4	5590	HANGER,AL,ADJ,UPPER,13.5"	SSBUSH	P2
5	4263	HANGER,AL,ADJ,LOWER,12"	DUOSTUD PERP TO FIN	P2
5	7652	HANGER,AL,ADJ,LOWER,12"	DUOSTUD ALIGN WITH FIN	P2
6	4264	HANGER,AL,ADJ,LOWER,12"	TRISTUD	P2
6	5976	HANGER,AL,ADJ,LOWER,12"	OCT LOCK,TRISTUD	P2
7	5977	HANGER,AL,ADJ,LOWER,12"	OCT LOCK,1.5"MNPS X 1"	P2
8	4834	HANGER EXTENSION,AL,3'	ADJUSTABLE HANGER ASSY	P2
8	4267	HANGER EXTENSION,AL,6'	ADJUSTABLE HANGER ASSY	P4
9	906	SIGNAL HANGER,ADJUSTABLE	AL,TRISTUD	P4
9	332	SIGNAL HANGER,ADJUSTABLE	AL,TRISTUD,SSHWD	P4
10	3868	SIGNAL HANGER,ADJUSTABLE	AL,W/1.5"MNPS	P4
11	2035	HANGER ASSY,TRISTUD	ONE HOLE,W/HDW	P2
12	5237	ARM ASSY,9",SLIP,TRISTUD	CLOSED END,PLTHDW,YEL	



800.345.6329

98

www.trafficparts.com

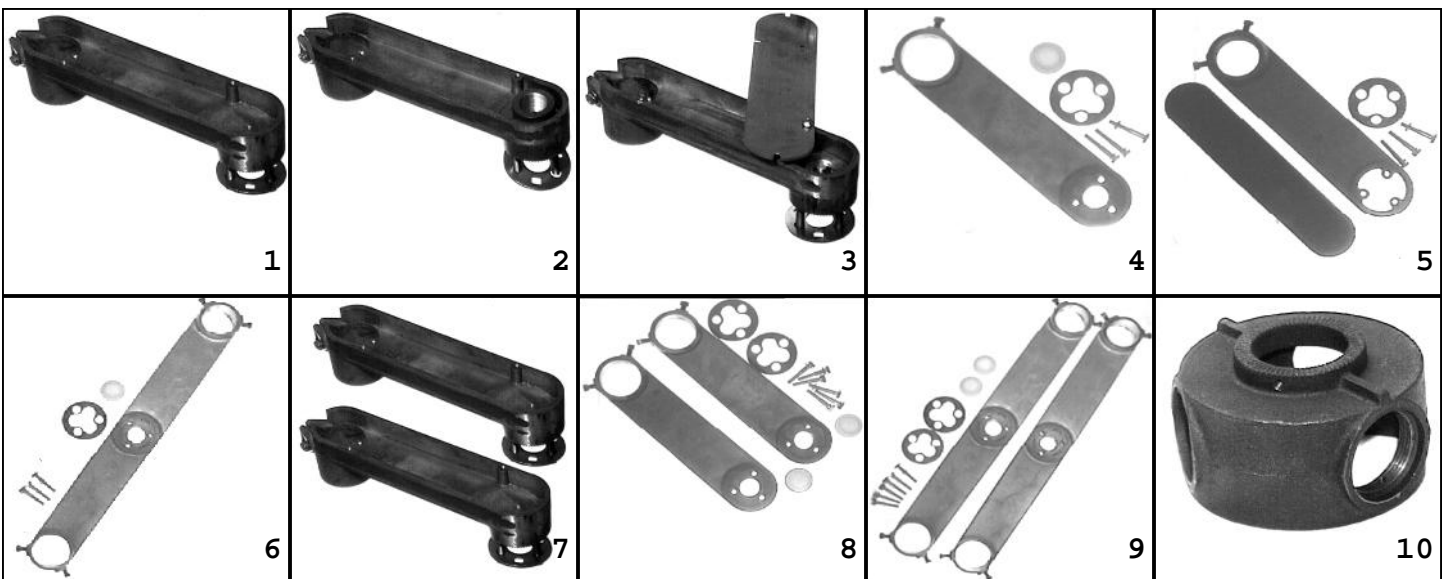
©Traffic Parts, Inc.

Traffic Parts,

Component parts for
SPAN WIRE

Pic# P/N Description:

1	6076	ARM ASSY, 9", SLIP, TRISTUD	CLOSED END, PLTHDW, 2SS	P3
2	5238	ARM ASSY, 9", SLIP, TRISTUD	FOR 3/4" CGB, PLTHDW, YEL	
2	6078	ARM ASSY, 9", SLIP, TRISTUD	FOR 3/4" CGB, PLTHDW, 2SS	P3
2	5239	ARM ASSY, 9", SLIP, TRISTUD	FOR 1" CGB, PLTHDW, YEL	
2	6077	ARM ASSY, 9", SLIP, TRISTUD	FOR 1" CGB, PLTHDW, 2SS	P3
3	5619	ARM ASSY, 9", SLIP, TRISTUD	W/HOLE+COVER, PLTHDW	P3
3	6079	ARM ASSY, 9", SLIP, TRISTUD	W/HOLE+CVR, PLTHDW, 2SS	P3
4	7642	ARM ASSY, 9", SLIP, TRIBOLT	FOR 3/4" CGB, PLTHDW, 2SS	P3
5	7643	ARM ASSY, 9", SLIP, TRIBOLT	W/HOLE+CVR, PLTHDW, 2SS	P3
6	7644	ARM ASSY, BOX, SLIP, TRIBOLT	FOR 3/4" CGB, PLTHDW, 4SS	P4
7	7645	ARM KIT, 9", HORIZ, TRISTUD	FOR 3/4" CGB, PLTHDW, SPC	CL
7	7646	ARM KIT, 9", HORIZ, TRISTUD	FOR 3/4" CGB, SS HW, SPC	CLR
7	7647	ARM KIT, 9", HORIZ, TRISTUD	FOR 1" CGB, PLTHDW, SPC	CLR
7	7648	ARM KIT, 9", HORIZ, TRISTUD	FOR 1" CGB, SS HW, SPC	CLR
8	7575	ARM KIT, 9", HORIZ, TRIBOLT	FOR 3/4" CGB, PLTHDW, SPC	CL
8	7576	ARM KIT, 9", HORIZ, TRIBOLT	FOR 3/4" CGB, SS HW, SPC	CLR
9	7588	ARM KIT, HORIZ BOX, TRIBOLT	FOR 3/4" CGB, PLTHDW, SPC	CL
9	7589	ARM KIT, HORIZ BOX, TRIBOLT	FOR 3/4" CGB, SS HW, SPC	CLR
10	2993	HUB, IRON, 3W, SLIP TOP	SPAN WIRE	P3
10	5092	HUB, ALUM, 3W, SLIP TOP	SPAN WIRE	P3
10	3015	HUB, BRNZ, 3W, SLIP TOP	SPAN WIRE	P3



800.345.6329

99

www.trafficparts.com

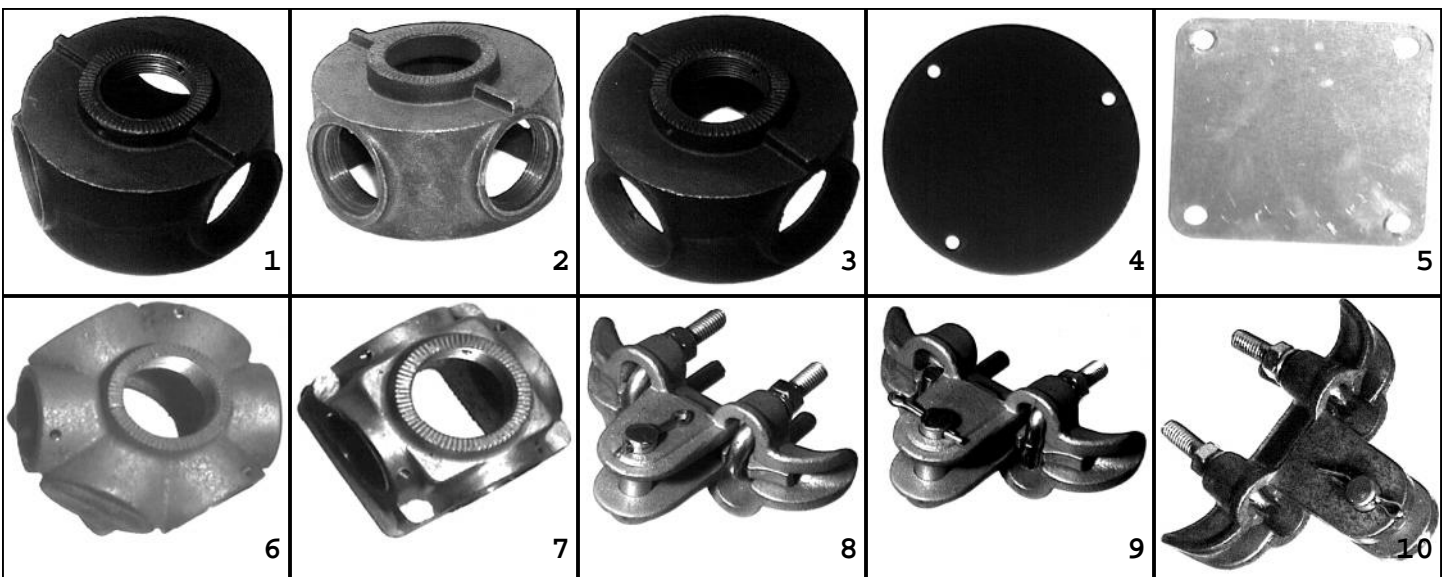
©Traffic Parts, Inc.

Traffic Parts,

Component parts for
SPAN WIRE

Pic# P/N Description:

1	5287	HUB, IRON, 3W, THRD TOP	SPAN WIRE	P3
1	2581	HUB, ALUM, 3W, THRD TOP	SPAN WIRE	P3
2	2994	HUB, IRON, 4W, SLIP TOP	SPAN WIRE	P3
2	5093	HUB, ALUM, 4W, SLIP TOP	SPAN WIRE	P3
2	4459	HUB, BRNZ, 4W, SLIP TOP	SPAN WIRE	P3
3	5288	HUB, IRON, 4W, THRD TOP	SPAN WIRE	P3
3	2580	HUB, ALUM, 4W, THRD TOP	SPAN WIRE	P3
4	2998	COVER PLATE, ROUND HUBS	AL, 3W/4W	P1
5	6332	COVER PLATE, SQUARE HUBS	AL, 3W/4W	P1
6	5101	HUB, ALUM, 3W, NPT TOP HOLE	W/COVER, 5SS	P3
7	2954	HUB, ALUM, 4W, NPT TOP HOLE	W/COVER, 6SS	P3
8	2544	SPAN WIRE HANGER, HD GALV	6", U-BOLT	P2
8	5599	SPAN WIRE HANGER, 6", GALV	U-BOLT, SSHDW	P2
9	5600	SPAN WIRE HANGER, 6", GALV	L-BOLT	P2
9	5601	SPAN WIRE HANGER, 6", GALV	L-BOLT, SSHDW	P2
10	1504	SPAN WIRE HANGER, 6", ALUM	U-BOLT	P2
10	5602	SPAN WIRE HANGER, 6", ALUM	U-BOLT, SSHDW	P2
10	4369	SPAN WIRE HANGER, 6", ALUM	U-BOLT, SSBUSH	P2
10	5604	SPAN WIRE HANGER, 6", ALUM	U-BOLT, SSBUSH, SSHDW	P2



800.345.6329

100

www.trafficparts.com

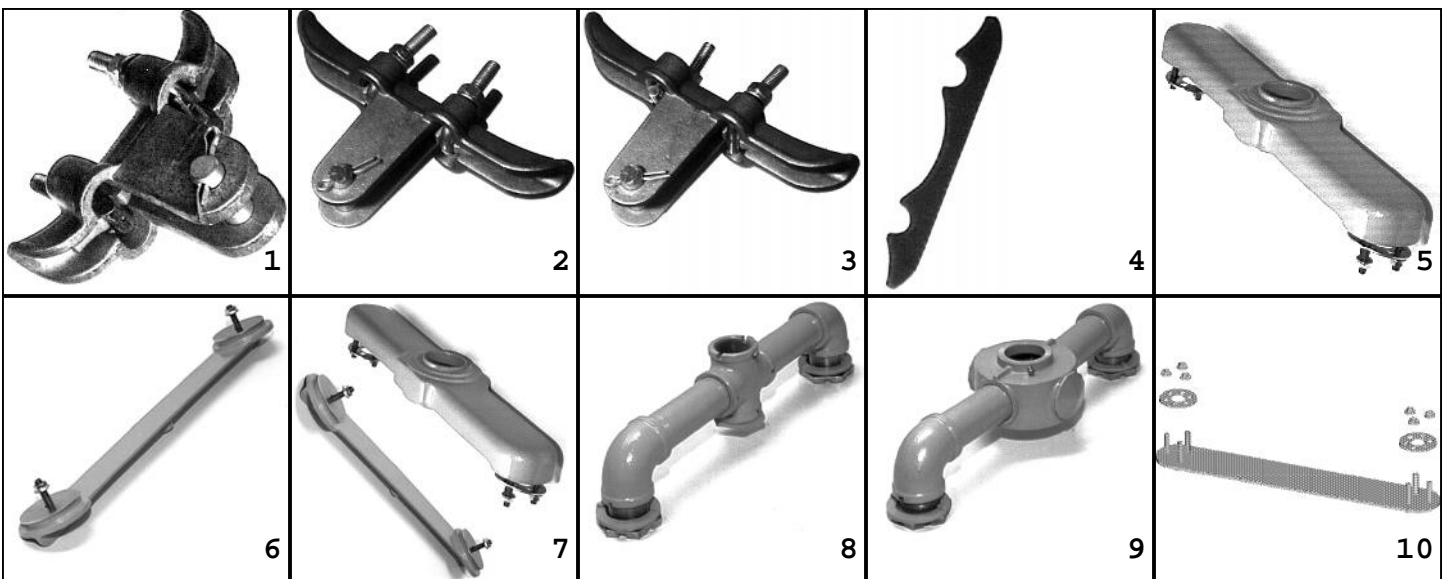
©Traffic Parts, Inc.

Traffic Parts,

Component parts for
SPAN WIRE

Pic# P/N Description:

1	932	SPAN WIRE HANGER, 6", ALUM	L-BOLT	P2
1	5603	SPAN WIRE HANGER, 6", ALUM	L-BOLT, SSHDW	P2
1	5605	SPAN WIRE HANGER, 6", ALUM	L-BOLT, SSBUSH	P2
1	5606	SPAN WIRE HANGER, 6", ALUM	L-BOLT, SSBUSH, SSHDW	P2
2	4780	SPAN WIRE HANGER, HD GALV	9", U-BOLT, EXTEND DROP	P2
2	5607	SPAN WIRE HANGER, 9", GALV	U-BOLT, EXT DROP, SSHDW	P2
2	3070	SPAN WIRE HANGER, 9", BRONZ	U-BOLT, EXTEND DROP	P2
2	5610	SPAN WIRE HANGER, 9", BRONZ	U-BOLT, EXT DROP, SSHDW	P2
3	5608	SPAN WIRE HANGER, 9", GALV	L-BOLT, EXT DROP	P2
3	5609	SPAN WIRE HANGER, 9", GALV	L-BOLT, EXT DROP, SSHDW	P2
3	5611	SPAN WIRE HANGER, 9", BRONZ	L-BOLT, EXT DROP	P2
3	5612	SPAN WIRE HANGER, 9", BRONZ	L-BOLT, EXT DROP, SSHDW	P2
4	2772	SPAN WIRE, LOCKING BAR	IRON	
4	2771	SPAN WIRE, LOCKING BAR	ALUMINUM	
5	937	SPAN WIRE, 2W TOP ASSY	AL, TRISTUD, 17"C/C, YEL	
6	936	SPAN WIRE, 2W BOTT ASSY	AL, MONOSTUD, 17"C/C, YEL	
7	5121	SPAN WIRE, 2W TOP/BOTT ASY	AL, TRI UP/MONO LWR, 17"C/C	
8	2668	SPAN WIRE, 2W CROSS TOP	IRON, W/ELBOW, 17"C/C, YEL	
8	5222	SPAN WIRE, 2W CROSS TOP	AL, W/ELBOW, 21"C/C, YEL	
9	2671	SPAN WIRE, 2W HUB TOP	IRON, W/ELBOW, 17"C/C, SPCCL	
10	5526	SPAN WIRE, 2W BOTT ASSY	AL, FLAT, TRIS, 17"C/C, YEL	
10	6008	SPAN WIRE, 2W BOTT ASSY	IRON, FLAT, TRIS, 17"C/C	



800.345.6329

101

www.trafficparts.com

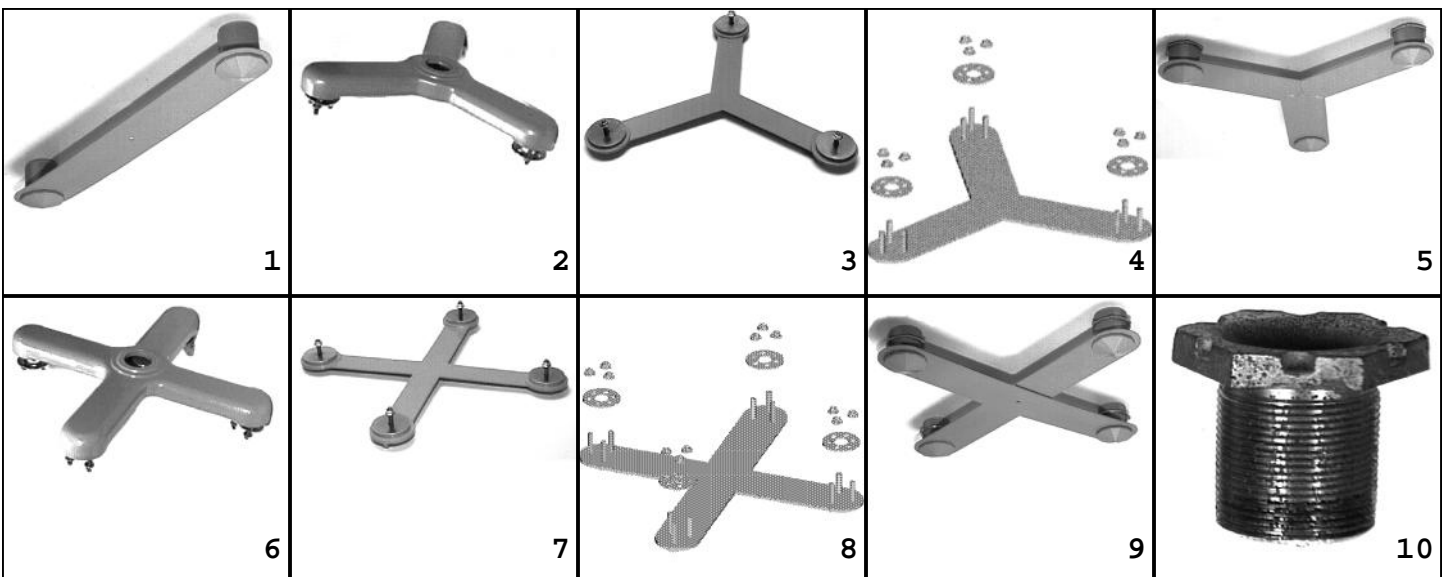
©Traffic Parts, Inc.

Traffic Parts,

Component parts for
SPAN WIRE

Pic# P/N Description:

1	2689	SPAN WIRE, 2W BOTT ASSY	IRON, FLAT, W/CLS, 17"C/C, YL
1	2827	SPAN WIRE, 2W BOTT ASSY	IRON, FLAT, W/CLS, 17"C/C
1	3911	SPAN WIRE, 2W BOTT ASSY	AL, FLAT, W/CLS, 17"C/C
1	3912	SPAN WIRE, 2W BOTT ASSY	AL, FLAT, W/CLS, 17"C/C, YEL
1	3824	SPAN WIRE, 2W BOTT ASSY	AL, FLAT, W/CLS, 21"C/C
1	3827	SPAN WIRE, 2W BOTT ASSY	AL, FLAT, W/CLS, 21"C/C, YEL
2	935	SPAN WIRE, 3W TOP ASSY	AL, TRISTUD, 8.5"RD, YEL
2	6714	SPAN WIRE, 3W TOP ASSY	AL, TRISTUD, 8.5"RD
3	934	SPAN WIRE, 3W BOTT ASSY	AL, MONOSTUD, 8.5"RD, YEL
3	6716	SPAN WIRE, 3W BOTT ASSY	AL, MONOSTUD, 8.5"RD
4	5524	SPAN WIRE, 3W BOTT ASSY	AL, FLAT, TRISTUD, 8.5"RD
5	2690	SPAN WIRE, 3W BOTT ASSY	IRON, FLAT, W/CLS, 8.5"RD, YL
5	4007	SPAN WIRE, 3W BOTT ASSY	AL, FLAT, W/CLS, 8.5"RAD
5	3825	SPAN WIRE, 3W BOTT ASSY	AL, FLAT, W/CLS, 10.5"RAD
5	3828	SPAN WIRE, 3W BOTT ASSY	AL, FLAT, W/CLS, 10.5"RAD, YL
6	933	SPAN WIRE, 4W TOP ASSY	AL, TRISTUD, 17"C/C, YEL
6	6715	SPAN WIRE, 4W TOP ASSY	AL, TRISTUD, 17"C/C
7	938	SPAN WIRE, 4W BOTT ASSY	AL, MONOSTUD, 17"C/C, YEL
7	6717	SPAN WIRE, 4W BOTT ASSY	AL, MONOSTUD, 17"C/C
8	5525	SPAN WIRE, 4W BOTT ASSY	AL, FLAT, TRISTUD, 17"C/C
9	2691	SPAN WIRE, 4W BOTT ASSY	IRON, FLAT, W/CLS, 17"C/C, YL
9	4006	SPAN WIRE, 4W BOTT ASSY	AL, FLAT, W/CLS, 17"C/C
9	3826	SPAN WIRE, 4W BOTT ASSY	AL, FLAT, W/CLS, 21"C/C
9	3829	SPAN WIRE, 4W BOTT ASSY	AL, FLAT, W/CLS, 21"C/C, YEL
10	2593	LOCK NIPPLE, FE, GALV, HEX	2"LONG, FOR NPSL P2
10	5617	LOCK NIPPLE, ALUM, HEX	2"LONG, FOR NPSL P2



800.345.6329

102

www.trafficparts.com

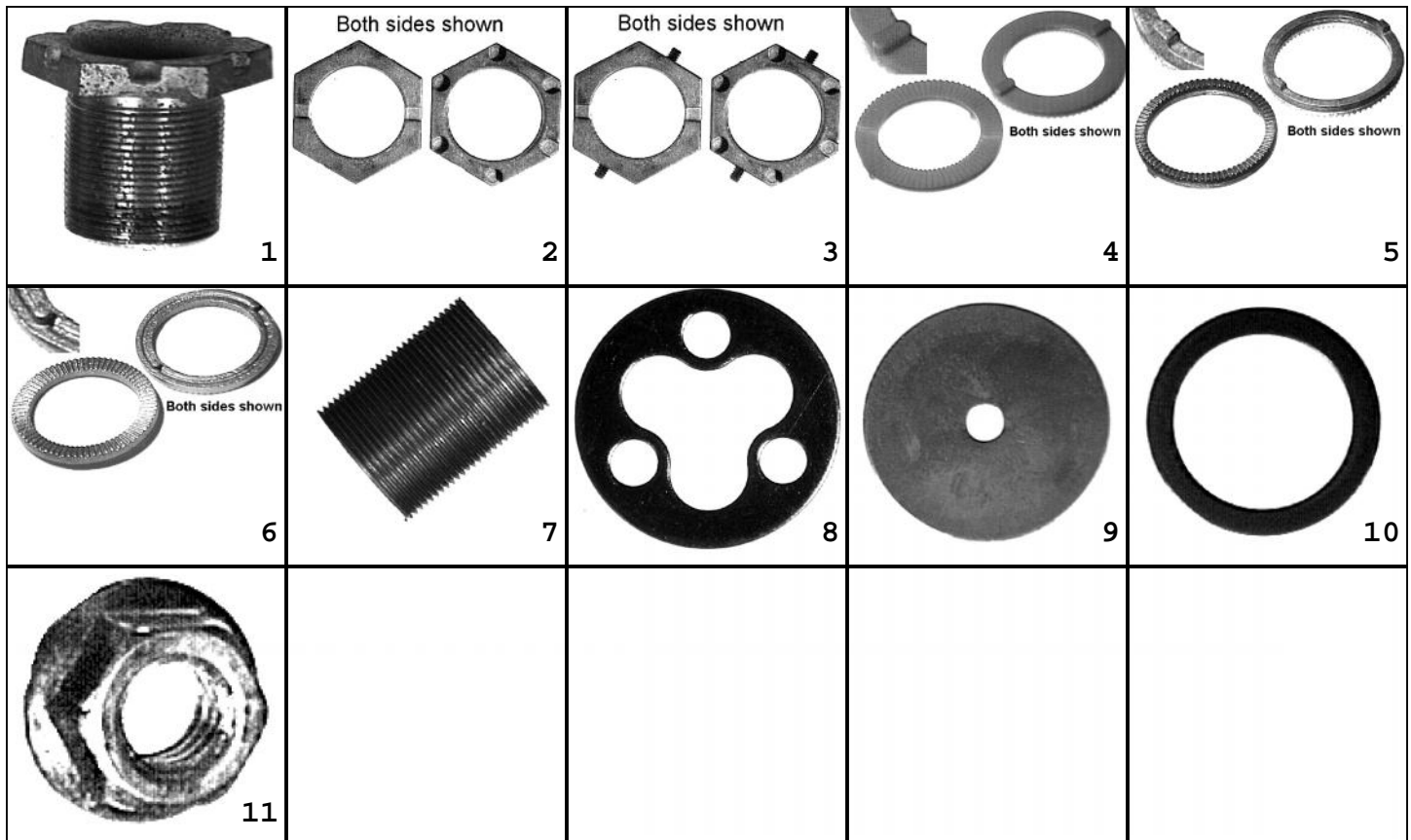
©Traffic Parts, Inc.

Traffic Parts,

Component parts for
SPAN WIRE

Pic# P/N Description:

1	5618	LOCK NIPPLE, BRNZ, HEX	2" LONG, FOR NPSL	P2
2	659	LOCK NUT, IRON, GALV, HEX	NOTCHES, NPSL, NO SS	P1
2	232	LOCK NUT, AL, HEX	NOTCHES, NO SS	P1
3	2982	LOCK NUT, IRON, GALV, HEX	NOTCHES, W/2SS	P1
3	5280	LOCK NUT, AL, HEX	NOTCHES, W/2SS	P1
4	349	SHURLOCK RING, PC, YELLOW	2"IDX2 7/8"OD	P1
4	3914	SHURLOCK RING, PC, BLACK	2"IDX2 7/8"OD	P1
5	647	SHURLOCK RING, AL	FULL PIN, 2"IDX2 3/8"OD	P1
6	880	SHURLOCK RING, BRASS	FULL PIN, 2"IDX2 5/8"OD	P1
7	4036	NIPPLE, TBE, FE, 1.5"X2.75	GALV, 1.0NPTX1.75NPS	P2
8	5983	WASHER, TRISTUD, PLATED	CLOVER LEAF CENTER HOLE	
8	5984	WASHER, TRISTUD, STAINLESS	CLOVER LEAF CENTER HOLE	
9	3822	WASHER, MONOSTUD, PLATED	3/8"X2.5"ODX3/32" THICK	
9	6066	WASHER, MONOSTUD, STAINLESS	3/8"X2.5"ODX3/32" THICK	
10	2128	WASHER, STEEL, 1.5"		
10	2127	WASHER, RUBBER, 1.5"		
11	4398	NUT, FLANGED, PLATED	5/16-18	
11	6065	NUT, FLANGED, STAINLESS	5/16-18	



800.345.6329

103

www.trafficparts.com

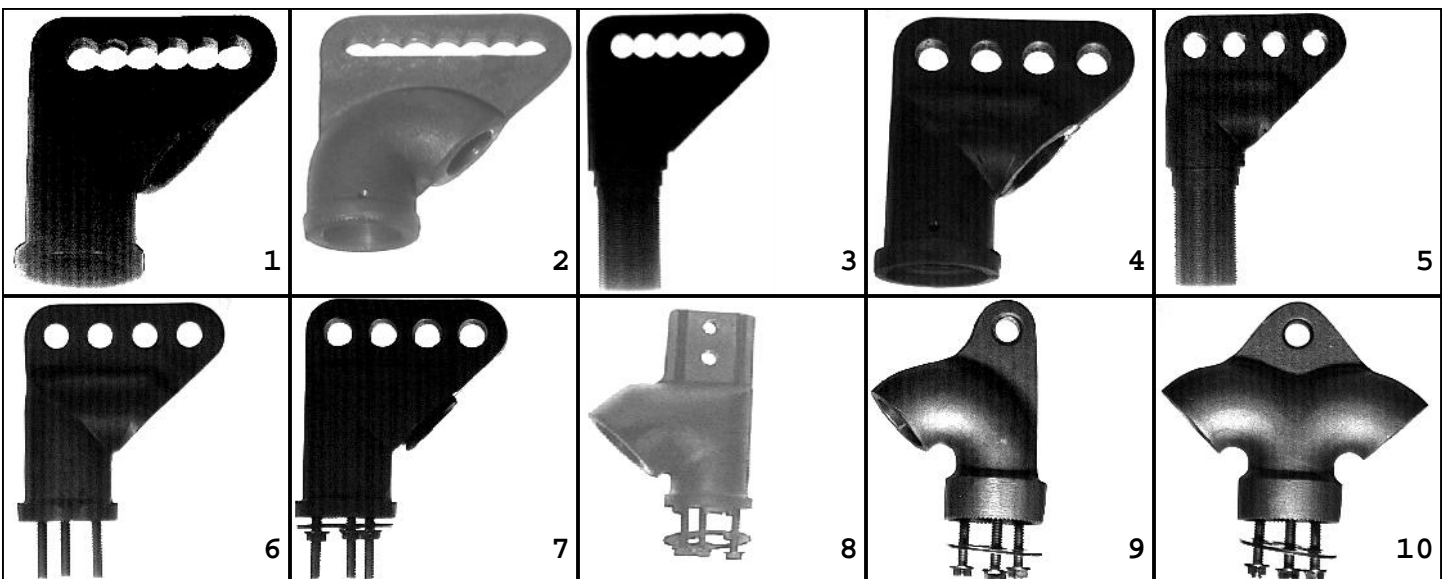
©Traffic Parts, Inc.

Traffic Parts,

Component parts for
SPAN WIRE

Pic# P/N Description:

1	2592	WIRE ENTR CASTING, FEMALE	IRON, 1SS	P2
1	3012	WIRE ENTR CASTING, FEMALE	BRONZE, 1SS	P2
2	7149	WIRE ENTR CASTING, FEMALE	IRON, XLG WWAY, NPT, 2SS	P2
2	7091	WIRE ENTR CASTING, FEMALE	AL, XLG WWAY, 1SS	P2
3	5135	WIRE ENTR CASTING, MALE	IRON	P2
3	5136	WIRE ENTR CASTING, MALE	BRONZE	P2
4	2433	WIRE ENTR CASTING, FEMALE	AL, 1SS	P2
4	4471	WIRE ENTR CASTING, FEMALE	AL, SSBUSH, 1SS	P2
5	5137	WIRE ENTR CASTING, MALE	AL	P2
5	5252	WIRE ENTR CASTING, MALE	AL, SSBUSH	P2
6	4458	WIRE ENTR CASTING, TRISTUD	AL	P2
6	4472	WIRE ENTR CASTING, TRISTUD	AL, SSBUSH	P2
7	931	WIRE ENTR ASSY, 1W, TRISTUD	AL, YELLOW	
7	4370	WIRE ENTR ASSY, 1W, TRISTUD	AL, W/SSBUSH, SPEC CLR	
8	7584	WIRE ENTR ASSY, 1W, TRISTUD	AL, DRP TETH, PLTD, SPEC CLR	
8	7585	WIRE ENTR ASSY, 1W, TRISTUD	AL, DRP TETH, SS, SPEC CLR	
9	6177	WIRE ENTR ASSY, 1W, TRISTUD	AL, SSBUSH, SPEC CLR	
9	6178	WIRE ENTR ASSY, 1W, TRISTUD	AL, SSBUSH, SSHDW, SPC CLR	
10	6179	WIRE ENTR ASSY, 2W, TRISTUD	AL, SSBUSH, SPEC CLR	
10	6180	WIRE ENTR ASSY, 2W, TRISTUD	AL, SSBUSH, SSHDW, SPC CLR	



800.345.6329

104

www.trafficparts.com

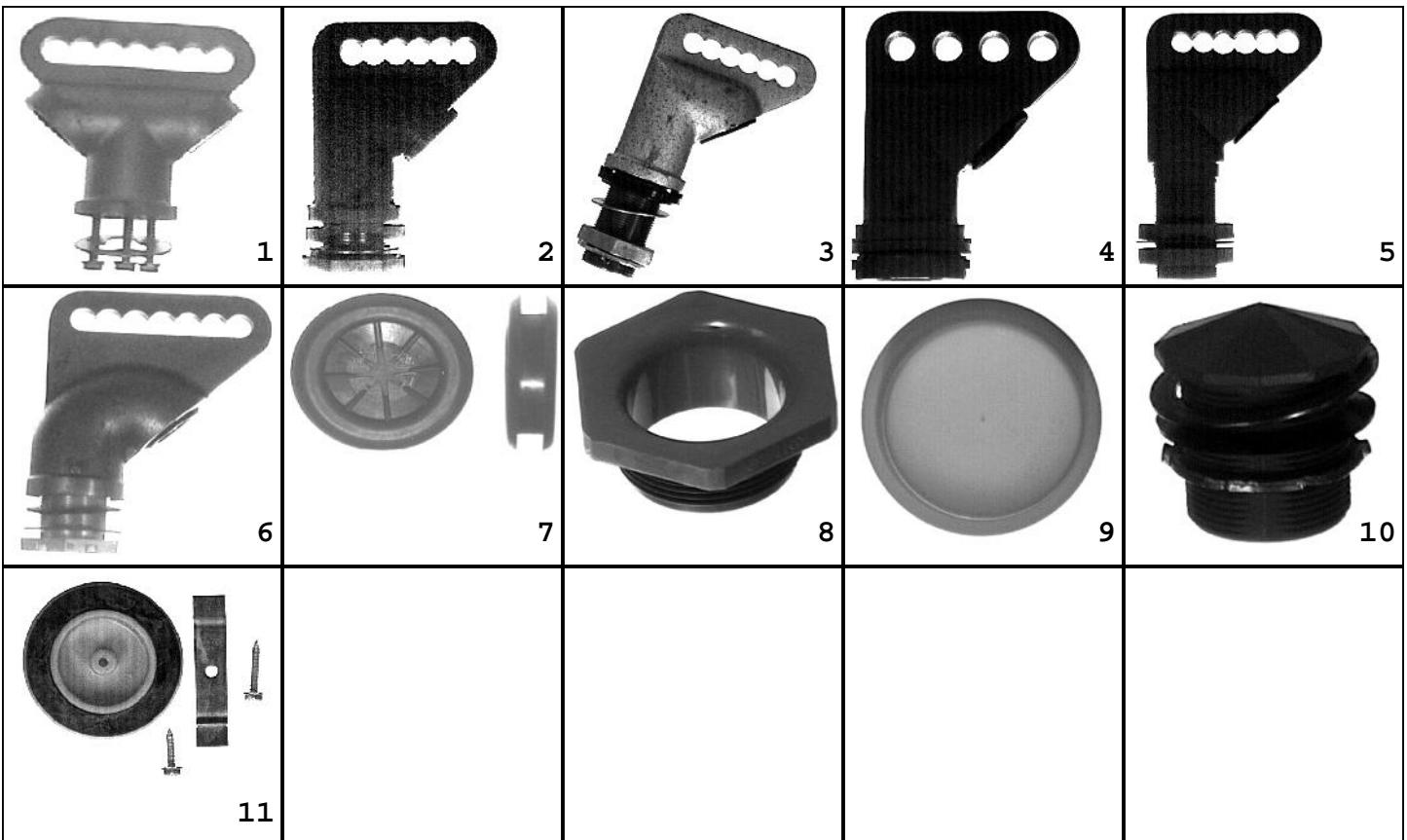
©Traffic Parts, Inc.

Traffic Parts,

Component parts for
SPAN WIRE

Pic# P/N Description:

1	7586	WIRE ENTR ASSY, 2W, TRISTUD	AL, OPN COMB, PLTD, SPEC CLR
1	7587	WIRE ENTR ASSY, 2W, TRISTUD	AL, OPN COMB, SS, SPEC CLR
2	2545	WIRE ENTR ASSY, 1W, FEMALE	IRON, YEL
2	4141	WIRE ENTR ASSY, 1W, FEMALE	BRONZE, SPEC CLR
3	3005	WIRE ENTR ASSY, 1W, MALE	IRON, TX SPEC, YEL
4	1030	WIRE ENTR ASSY, 1W, FEMALE	AL, W/2" LK NIPL, YEL
4	4371	WIRE ENTR ASSY, 1W, FEMALE	AL, W/2" LK NIPL, W/SSBUSH
5	2854	WIRE ENTR ASSY, MWAY, MALE	IRON, SPEC CLR
5	3512	WIRE ENTR ASSY, MWAY, MALE	W/LEAD WASHER, SPEC CLR
6	7092	WIRE ENTR ASSY, 1W, FEMALE	AL, W/2" LK NIPL, LG WEH P2
7	4144	GROMMET, EPDM, W/DIAPHRAM	1 1/4" X 1 1/2" X 1/4" GROOVE
8	6200	BUSHING, PLASTIC, 1 1/4"	THREADED, GRAY
9	1137	PLUG, PLASTIC, YEL, 2"	FOR SIGNAL TOP/BOTTOM
9	3473	PLUG, PLASTIC, BLK, 2"	FOR SIGNAL TOP/BOTTOM
10	3171	SIGNAL CLOSURE ASSY	AL, YELLOW
10	5808	SIGNAL CLOSURE ASSY	AL, GREEN
10	5809	SIGNAL CLOSURE ASSY	AL, BLACK
11	1049	SIGNAL CLOSURE ASSY	PLASTIC, YELLOW P2



800.345.6329

105

www.trafficparts.com

©Traffic Parts, Inc.

Traffic Parts,

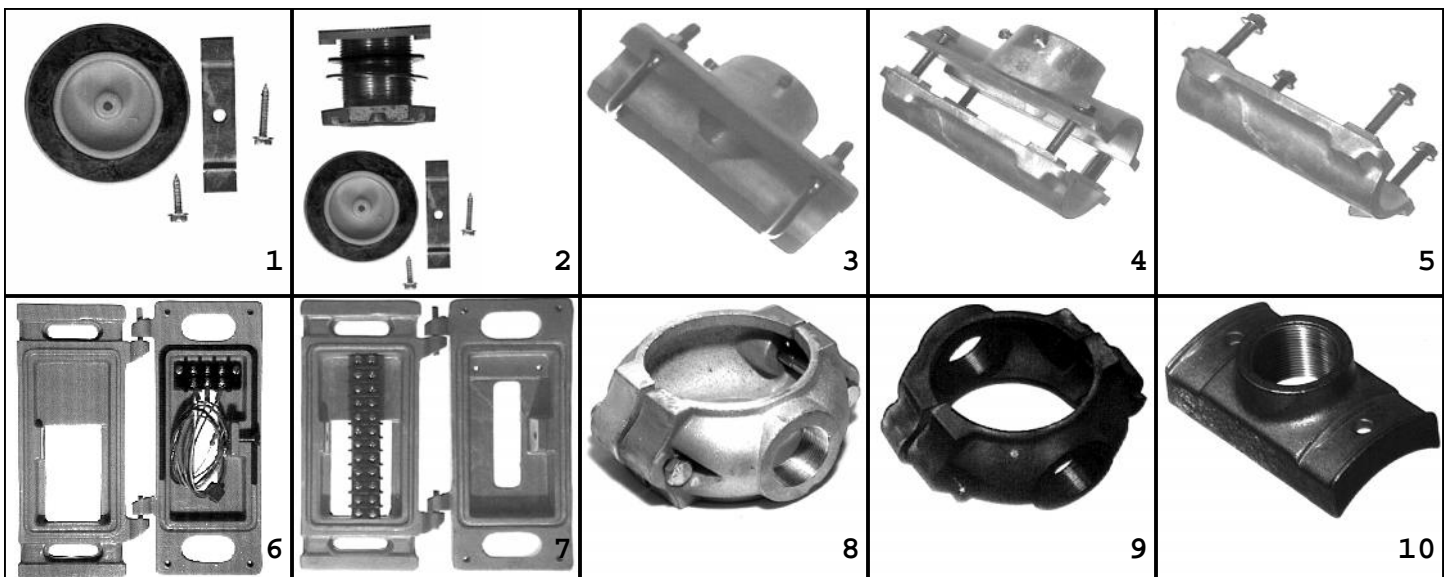
Component parts for
SPAN WIRE

Pic# P/N Description:

1	6082	SIGNAL CLOSURE ASSY	PLASTIC, BLACK	P2
2	4140	SIGNAL MOUNT KIT, 1W, IRON	SPAN WIRE & MAST ARM	
3	6729	TUBE HGR KIT, 2", AL, U-BOLT	1.5" FNPSL, 2SS, PLTHDW	P2
3	6730	TUBE HGR KIT, 2", AL, U-BOLT	1.5" FNPSL, 2SS, SSHDW	P2
4	7651	TUBE HGR KIT, 2", AL, H DUTY	1.5" FNPSL, 2SS, SSHDW	P4
5	7582	TUBE SADDLE KIT	4-SS STUDS, SSHDW	P2

Component parts for SIDE OF POLE

6	1292	CLAM-DOOR 2 MOUNTING	3POS BLOCK, SPEC COLOR	
7	1290	CLAM-DOOR 3 MOUNTING	10POS BLOCK, SPEC COLOR	
8	2317	CLAMP, POLE, ORNAMENTAL	1W, 4 1/2" POLE	P4
8	5933	CLAMP, POLE, ORNAMENTAL	1W, 3 1/2" POLE	P4
9	2318	CLAMP, POLE, ORNAMENTAL	2W, 4 1/2" POLE	P4
10	2405	POLE PLATE, BANDING, AL	4 1/2" POLE OR LARGER	P2
10	657	POLE PLATE, BANDING, AL	4 1/2" POLE OR LGR, YELLOW	
10	5358	POLE PLATE, BANDING, AL	4 1/2" POLE, W/SET SCRW	P2



800.345.6329

106

www.trafficparts.com

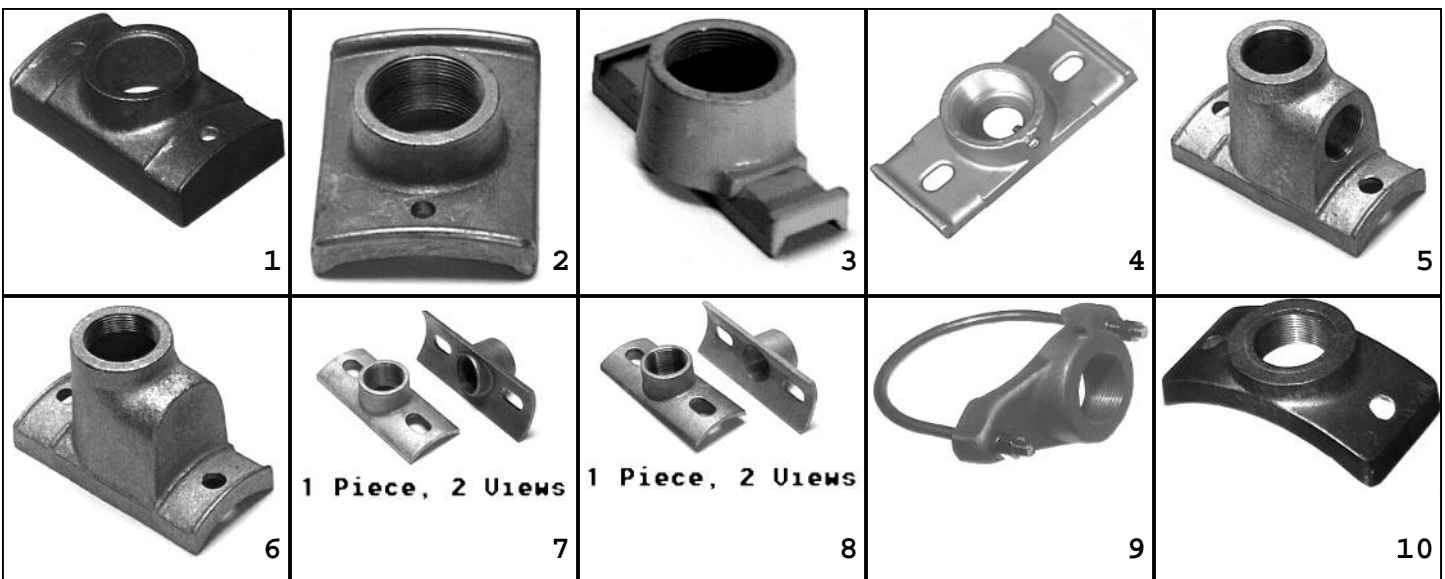
©Traffic Parts, Inc.

Traffic Parts,

Component parts for
SIDE OF POLE

Pic# P/N Description:

1	5598	POLE PLATE, BANDING, AL	FLAT BACK	P2
2	4120	POLE PLATE, BANDING, AL	8" POLE	P2
2	5357	POLE PLATE, BANDING, AL	8" POLE, W/SET SCREW	P2
3	2376	POLE PLATE, BANDING, AL, NPT	FLAT/NARROW BACK	P2
4	1178	POLE PLATE, BANDING, AL	UNIVERSAL, W/1SS	P2
5	1176	POLE PLATE, BANDING, AL	W/HUB, 1 1/4" BOTT HOLE	P3
5	5339	POLE PLATE, BANDING, AL	W/HUB, 1 1/4" BOTT HOLE, BLK	
5	2776	POLE PLATE, BANDING, AL	W/HUB, 1 1/4" BOTT HOLE, YEL	
6	1177	POLE PLATE, BANDING, AL	W/HUB, NO HOLE	P3
6	5338	POLE PLATE, BANDING, AL	W/HUB, NO HOLE, BLACK	
6	2775	POLE PLATE, BANDING, AL	W/HUB, NO HOLE, YELLOW	
6	3016	POLE PLATE, BANDING, BRONZE	W/HUB, NO HOLE	P2
7	2606	POLE PLATE, BOLT-ON, AL	W/CABLE GUIDE	P2
7	2829	POLE PLATE, BOLT-ON, AL	W/CABLE GUIDE, YELLOW	
7	3014	POLE PLATE, BOLT-ON, BRONZE	W/CABLE GUIDE	P2
8	2607	POLE PLATE, BOLT-ON, AL	W/O CABLE GUIDE	P2
8	658	POLE PLATE, BOLT-ON, AL	W/O CABLE GUIDE, YELLOW	
8	3013	POLE PLATE, BOLT-ON, BRONZE	W/O CABLE GUIDE	P2
9	6167	CLAMP, POLE 1.5" FNPSL, AL	1W, 4" U-BOLT	P2
10	3916	POLE PLATE, WOOD POLE, AL	HORIZ MNT, 1.5" FNPT	P2
10	5251	POLE PLATE, WOOD POLE, AL	HORIZ MOUNT, 2" NPT	P2



800.345.6329

107

www.trafficparts.com

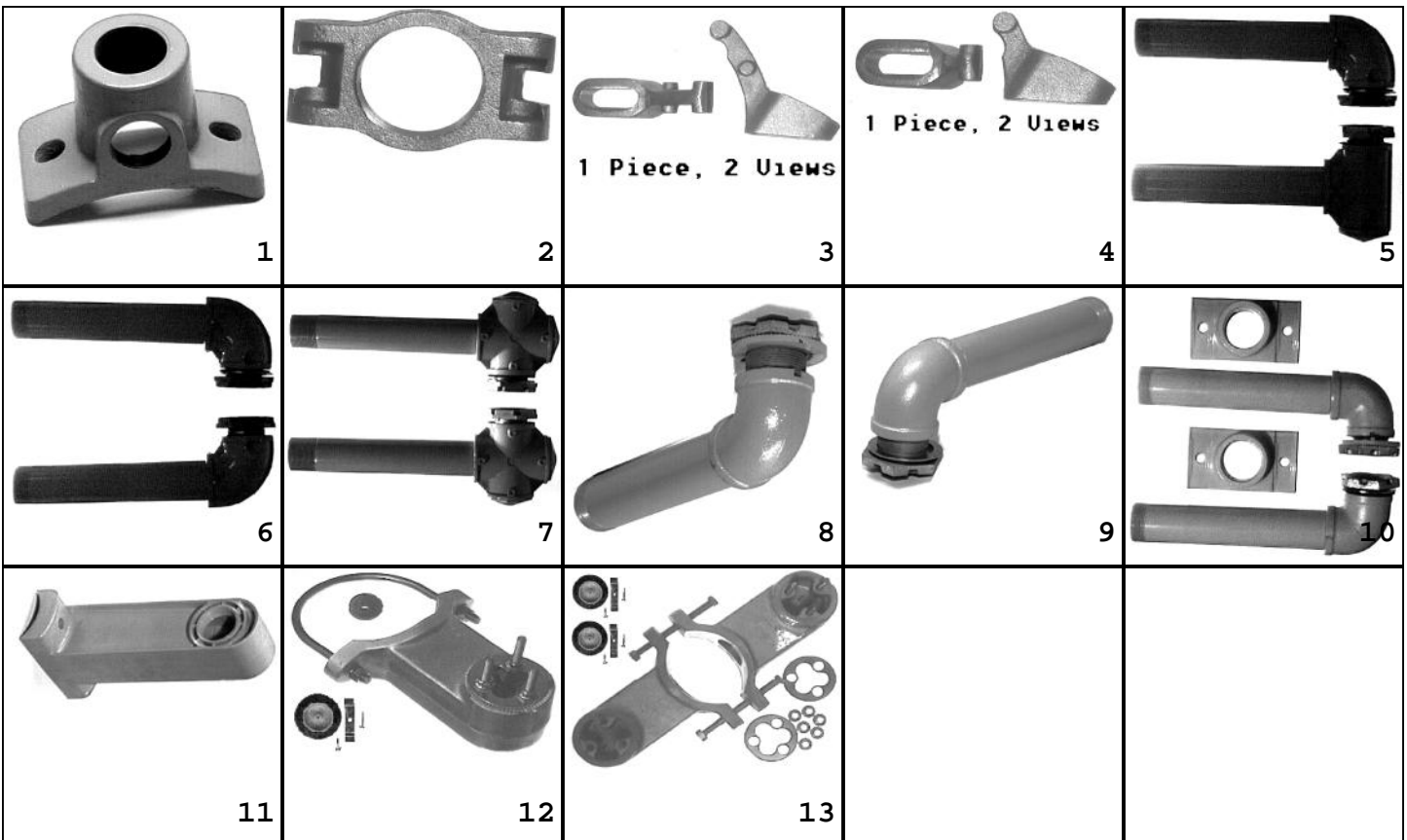
©Traffic Parts, Inc.

Traffic Parts,

Component parts for
SIDE OF POLE

Pic# P/N Description:

1	3823	POLE PLATE,WOOD POLE,IRON	W/HUB/1 1/4" BOTT HOLE P3
1	5337	POLE PLATE,WOOD POLE,IRON	W/HUB,1 1/4" BOTT HOL,BLK
2	6994	U-BOLT CLAMP,ADJ,BRONZE	1.5"FNPSL HUB P2
3	6995	U-BOLT CLAMP,ADJ,BRONZE	LONG EAR P2
4	7011	U-BOLT CLAMP,ADJ,BRONZE	SHORT EAR P2
5	5215	SIDE OF POLE,1W,11"C/C,TX	AL,W/O POLE PLTS(SET),YEL
6	5725	SIDE OF POLE,1W, 8.5"C/C	AL,W/O POLE PLTS(SET),YEL
7	5347	SIDE OF POLE,PED,1W,TX	AL,W/O POLE PLTS(SET),YEL
8	2611	SIDE OF POLE,1W BOTT	W/ELBOW,IRON,YEL
9	2608	SIDE OF POLE,1W TOP	W/ELBOW,IRON,YEL
10	955	SIDE OF POLE,1W ASSY,IRON	BANDING,AL PL PLATE(SET)
11	1014	SIDE OF POLE,1W BRACKET	PC,BLACK,W/O LCKNIPL
11	1015		
11	1013	SIDE OF POLE,1W BRACKET	PC,YELLOW,W/O LCKNIPL
12	6367	SIG MNT ASSY,4.5" OD POLE	UBOLT,W/GROM,CLOS CAP,YEL
12	7328	SIG MNT ASSY,4.5" OD POLE	UBOLT,W/GROM,CLOS CAP,NAT
12	7534	SIG MNT ASSY,4.5"OD PL,SS	UBOLT,W/GROM,CLOS CAP,NAT
13	7583	SIG MNT ASSY,4.5"OD POLE	2-WAY,W/GROM,CLOS CAP,YEL



800.345.6329

108

www.trafficparts.com

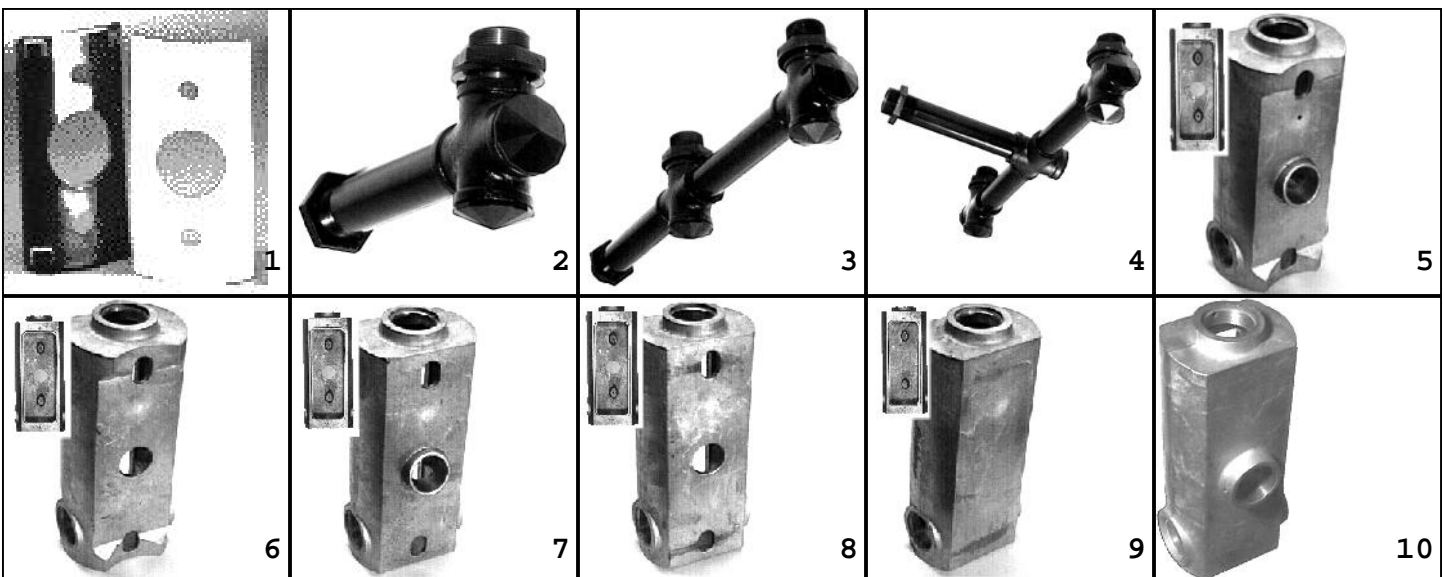
©Traffic Parts, Inc.

Traffic Parts,

Component parts for
SIDE OF POLE

Pic# P/N Description:

1	1270	SHIM, MOUNTING, PC	BLACK, CURVED BACK
2	4029	SIDE, 1W BOTT ASY, 11.5"C/C	CROSS, IRON, NUT, ALL THRD
3	4035	SIDE, 2W TAND BT, 12.5"C/C	CROSS, IRON, NUT, ALL THRD
4	4031	SIDE, 2W TEE BOTT, 21"C/C	CROSS, IRON, NUT, ALL THRD
5	3180	TERM COMP, SOP, 2W, IRON	CURV BACK, CABLE GUIDE P4
5	3178	TERM COMP, SOP, 2W, ALUM	CURV BACK, CABLE GUIDE P4
5	3179	TERM COMP, SOP, 2W, BRONZ	CURV BACK, CABLE GUIDE P4
6	3764	TERM COMP, SOP, 2W, IRON	CURV BACK, CABLE ENTR P4
6	3760	TERM COMP, SOP, 2W, ALUM	CURV BACK, CABLE ENTR P4
6	3768	TERM COMP, SOP, 2W, BRONZ	CURV BACK, CABLE ENTR P4
7	3765	TERM COMP, SOP, 2W, IRON	FLAT BACK, CABLE GUIDE P4
7	3761	TERM COMP, SOP, 2W, ALUM	FLAT BACK, CABLE GUIDE P4
7	3769	TERM COMP, SOP, 2W, BRONZ	FLAT BACK, CABLE GUIDE P4
8	3766	TERM COMP, SOP, 2W, IRON	FLAT BACK, CABLE ENTR P4
8	3762	TERM COMP, SOP, 2W, ALUM	FLAT BACK, CABLE ENTR P4
8	3770	TERM COMP, SOP, 2W, BRONZ	FLAT BACK, CABLE ENTR P4
9	3767	TERM COMP, SOP, 2W, IRON	FLAT BACK, CABLE ENTR P4
9	3763	TERM COMP, SOP, 2W, ALUM	FLAT BACK, W/O CBL ENTR P4
9	3771	TERM COMP, SOP, 2W, BRONZ	FLAT BACK, W/O CBL ENTR P4
10	7009	TERM COMP, SOP, 2W, ALUM	FLT BK, W/THRD HUB, 4SS P4



800.345.6329

109

www.trafficparts.com

©Traffic Parts, Inc.

Traffic Parts,

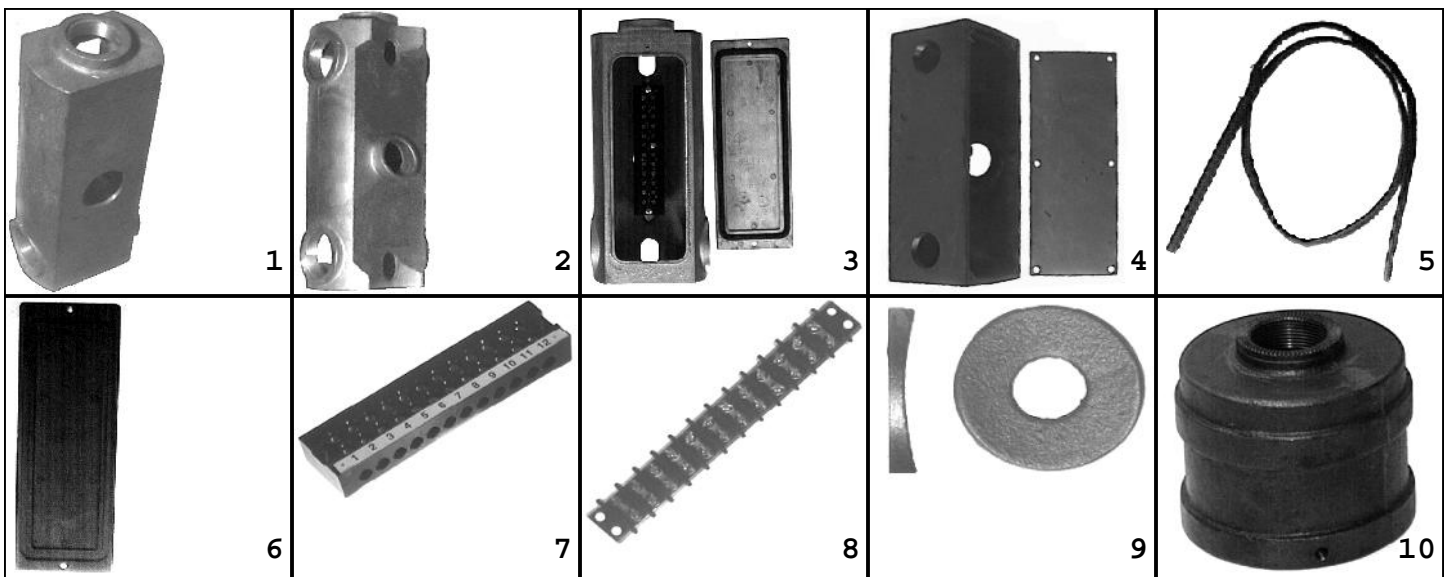
Component parts for
SIDE OF POLE

Pic# P/N Description:

1	7012	TERM COMP, SOP, 2W, BRONZ	FLT BK, W/2"HOLE, W/DOOR	P4
2	3122	TERM COMP, SOP, 2W, 5PORT, AL	CURV BACK, CABLE GUIDE	P4
3	3030	TERM COMP ASY, SOP, 2W, IRON	CURV BK, CBL GUIDE, 12PBLK	
3	2587	TERM COMP ASY, SOP, 2W, ALUM	CURV BK, CBL GUIDE, 12PBLK	
3	3029	TERM COMP ASY, SOP, 2W, BRNZ	CURV BK, CBL GUIDE, 12PBLK	
4	6707	TERMINAL BOX, AL, W/COVER	14", FOR HORIZ MOUNT 2XP4	
5	3181	TERM COMPARTMENT GASKET		
6	3182	TERM COMPARTMENT DOOR, AL	VERTICAL	P2
7	2354	TERMINAL BLOCK, 12POSITION	PRESS TYPE, 55A, 300V	
8	7144	TERMINAL BLOCK, 12POSITION	BARRIER, 30A, 600V, 9/16 C/C	
9	5994	WASHER, ROUND, CURVED, BRONZ	1.5" OD X 9/16 ID	

Component parts for POST TOP

10	3020	POST TOP ADAPTER, 1W, IRON	SERRATED, CTR MT, 4SS	P4
10	3759	POST TOP ADAPTER, 1W, ALUM	SERRATED, CTR MT, 4SS	P4
10	1093	POST TOP ADAPTER, 1W, BRNZ	SERRATED, CTR MT, 4SS	P4



800.345.6329

110

www.trafficparts.com

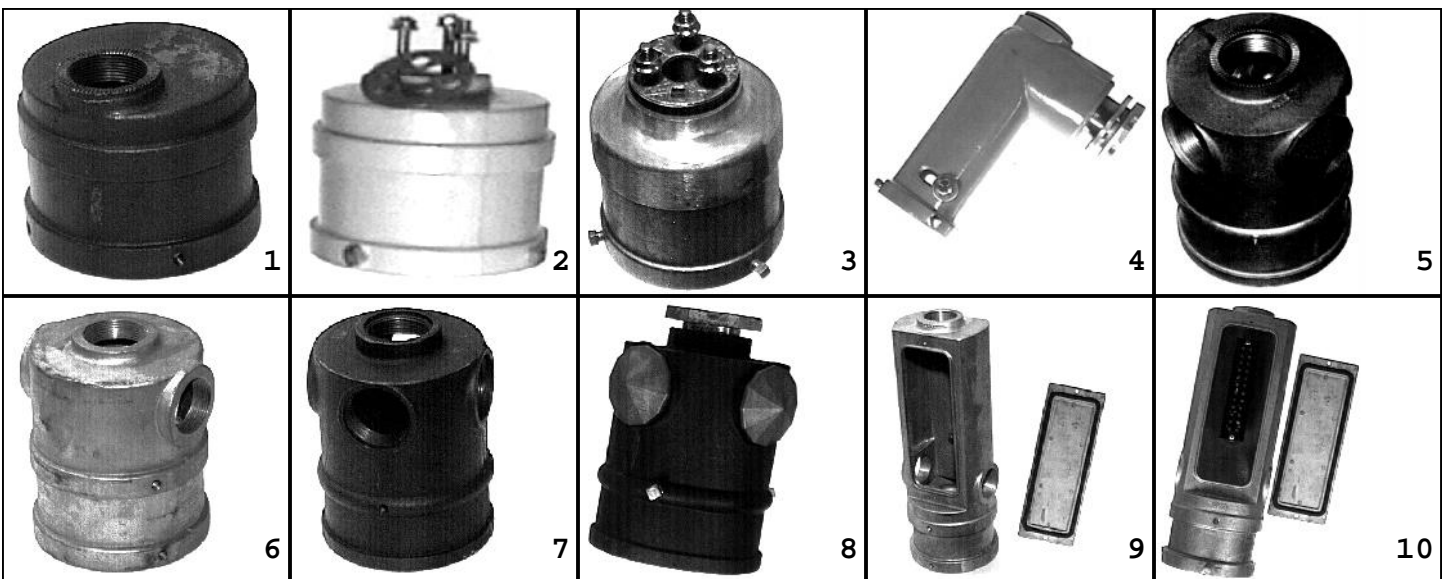
©Traffic Parts, Inc.

Traffic Parts,

Component parts for
POST TOP

Pic# P/N Description:

1	3021	POST TOP ADAPTER, 1W, IRON	SERRATED, OFFSET, 4SS	P4
1	3022	POST TOP ADAPTER, 1W, ALUM	SERRATED, OFFSET, 4SS	P4
1	2930	POST TOP ADAPTER, 1W, BRNZ	SERRATED, OFFSET, 4SS	P4
1	3023	POST TOP ADAPTER, 1W, BRNZ	SERRATED, OFFSET, 8SS	P4
2	1285	POST TOP ADAPTER, 1W, ALUM	TRISTUD, 4" POLE, YEL	
3	6114	POST TOP ADAPTER, 1W, ALUM	TRISTUD, 3" POLE	P4
4	2855	POST TOP ADAPTER, 1W, ALUM	THREADED, 2" POLE	P4
	2853	POST TOP ADAPTER, 1W, ALUM	TRISTUD, 2" POLE	P4
5	3024	POST TOP ADAPTER, 2W, IRON	SERRATED TOP	P4
5	2583	POST TOP ADAPTER, 2W, ALUM	SERRATED TOP	P4
6	3025	POST TOP ADAPTER, 2W, BRNZ	PLAIN TOP	P4
7	2995	POST TOP ADAPTER, 4W, IRON	SERRATED TOP, 3SS	P4
7	2582	POST TOP ADAPTER, 4W, ALUM	SERRATED TOP, 3SS	P4
7	3026	POST TOP ADAPTER, 4W, BRNZ	SERRATED TOP, 3SS	P4
8	3174	POST TOP ASSY, 1W, IRON	FOUR PORTS, YELLOW	
8	5120	POST TOP ASSY, 1W, ALUM	FOUR PORTS, SPEC COLOR	
9	3176	TERM COMP, PT2W, VERT, IRON	W/DOOR	P4
9	3177	TERM COMP, PT2W, VERT, ALUM	W/DOOR	P4
9	3175	TERM COMP, PT2W, VERT, BRNZ	W/DOOR	P4
10	3018	TERM COMP ASSY, PT2W, IRON	DOOR, 12PBLK, SPEC COLOR	
10	2547	TERM COMP ASSY, PT2W, ALUM	DOOR, 12PBLK, SPEC COLOR	
10	3019	TERM COMP ASSY, PT2W, BRNZ	DOOR, 12PBLK, SPEC COLOR	



800.345.6329

111

www.trafficparts.com

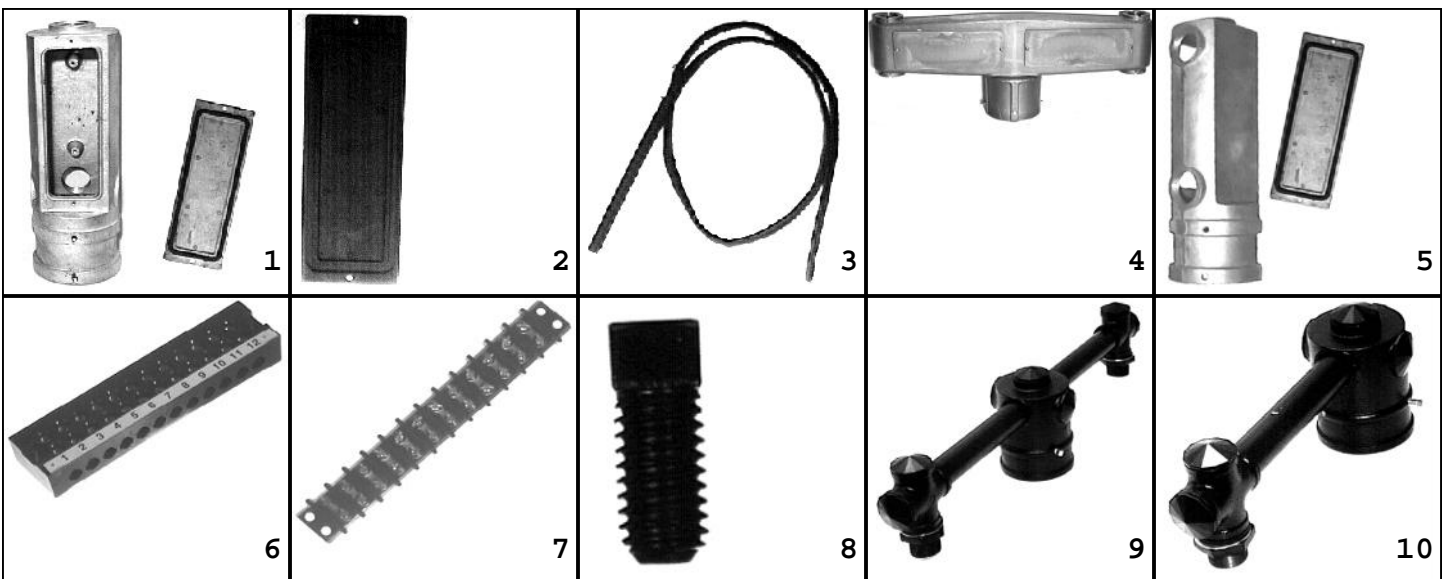
©Traffic Parts, Inc.

Traffic Parts,

Component parts for
POST TOP

Pic# P/N Description:

1	5080	TERM COMP, PT3W, VERT, IRON	W/DOOR	P4
1	5756	TERM COMP, PT3W, VERT, ALUM	W/DOOR	P4
1	5755	TERM COMP, PT3W, VERT, BRNZ	W/DOOR	P4
	5081	TERM COMP ASSY, PT3W, IRON	DOOR, 12PBLK, SPEC COLOR	
	6181	TERM COMP ASSY, PT3W, ALUM	DOOR, 12PBLK, SPEC COLOR	
	6182	TERM COMP ASSY, PT3W, BRNZ	DOOR, 12PBLK, SPEC COLOR	
2	3182	TERM COMPARTMENT DOOR, AL	VERTICAL	P2
3	3181	TERM COMPARTMENT GASKET		
	5086	TERM COMP, PT2W, ALUM	HORIZ, 14.25"C/C	2XP4
	5084	TERM COMPARTMENT DOOR, AL	HORIZ, SMALL, FOR #5086	P2
	3426	TERM COMP ASSY, PT2W, ALUM	HORIZ, TRISTUD, 17"C/C	2XP4
	5090	TERM COMP ASSY, PT2W, ALUM	HORIZ, 14.25"C/C, 12BLK, DOOR	
4	5087	TERM COMP, PT2W, ALUM	HORIZ, 24"C/C	
4	5097	TERM COMP ASSY, PT2W, ALUM	HORIZ, 24"C/C, 12PBLK, DOOR	
4	5088	TERM COMP, PT3W, ALUM	HORIZ, 24"C/C	
4	5089	TERM COMP ASSY, PT3W, ALUM	HORIZ, 24"C/C, 12PBLK, DOOR	
5	3121	TERM COMP, PT2W, 5PORT, ALUM	W/DOOR	P4
6	2354	TERMINAL BLOCK, 12POSITION	PRESS TYPE, 55A, 300V	
7	7144	TERMINAL BLOCK, 12POSITION	BARRIER, 30A, 600V, 9/16 C/C	
8	2833	SET SCREW, SQ HEAD, PLTD	3/8-16X3/4, CUP POINT	
9	3753	POST TOP, 2W, TOP ASSY	W/CROSS, 13 3/4" C/C, MIDOT	
10	3752	POST TOP, 1W, TOP ASSY	W/CROSS, 13 3/4" C/C, MIDOT	



800.345.6329

112

www.trafficparts.com

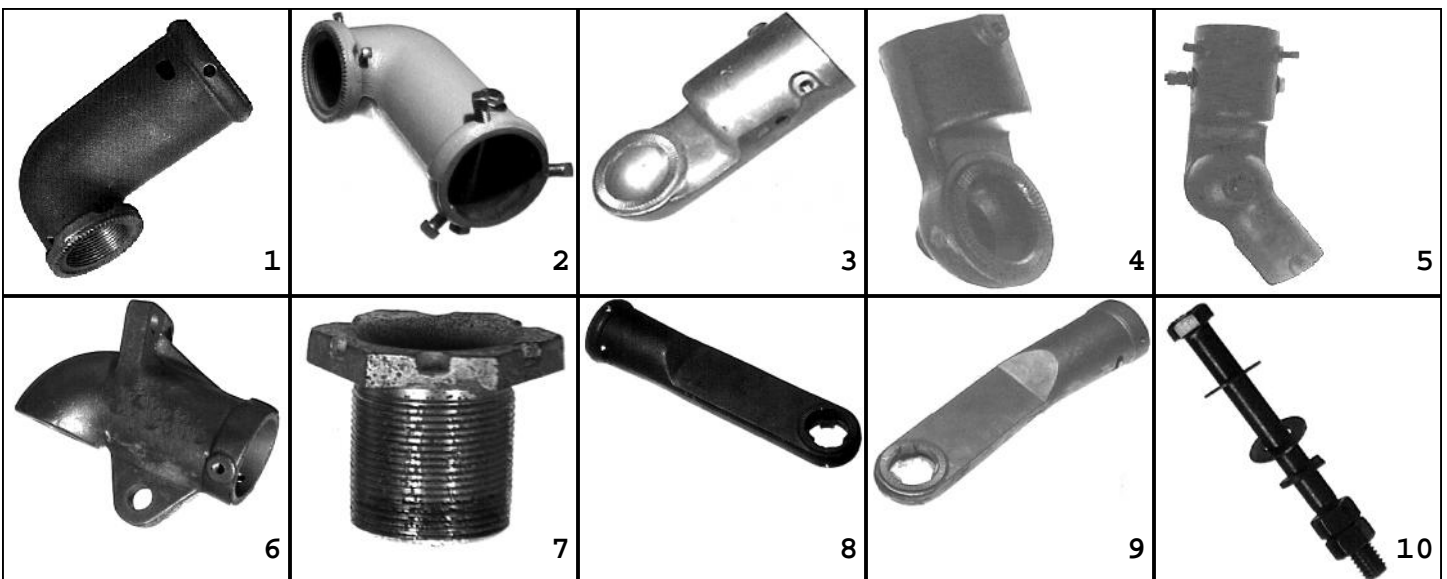
©Traffic Parts, Inc.

Traffic Parts,

Component parts for MAST ARM

Pic# P/N Description:

1	2996	PLUMBIZER, ELBOW, IRON	P3
1	646	PLUMBIZER, ELBOW, ALUM	P3
1	3027	PLUMBIZER, ELBOW, BRONZE	P3
2	5272	MAST ARM MOUNT ASSY, IRON	ELBOW PLUMB, HORIZ MNT, YEL
3	2037	TENION MOUNT, 2", AL	TO ARTICUL
4	6987	ARTIC MOUNT, AL	TO 1.5"FNPSL, W/O HDWR
5	6113	TENION MOUNT, 2", ARTIC, AL	1.5"NPSL
6	4395	PLUMBIZER, CLEVIS, IRON	P2
7	2593	LOCK NIPPLE, FE, GALV, HEX	2"LONG, FOR NPSL
7	5617	LOCK NIPPLE, ALUM, HEX	2"LONG, FOR NPSL
7	5618	LOCK NIPPLE, BRNZ, HEX	2"LONG, FOR NPSL
8	2997	PLUMBIZER, ELEVATOR, IRON	STRAIGHT, CASTING
8	3028	PLUMBIZER, ELEVATOR, ALUM	STRAIGHT, CASTING
8	3017	PLUMBIZER, ELEVATOR, BRONZE	STRAIGHT, CASTING
9	6291	PLUMBIZER, ELEVATOR, IRON	BENT, CASTING
9	6196	PLUMBIZER, ELEVATOR, ALUM	BENT, CASTING
9	6292	PLUMBIZER, ELEVATOR, BRONZE	BENT, CASTING
10	4481	BOLT KIT, PLUMBIZERS, SS	3/8X4, WSHR, LKWSHR, NUT



800.345.6329

113

www.trafficparts.com

©Traffic Parts, Inc.

Traffic Parts,

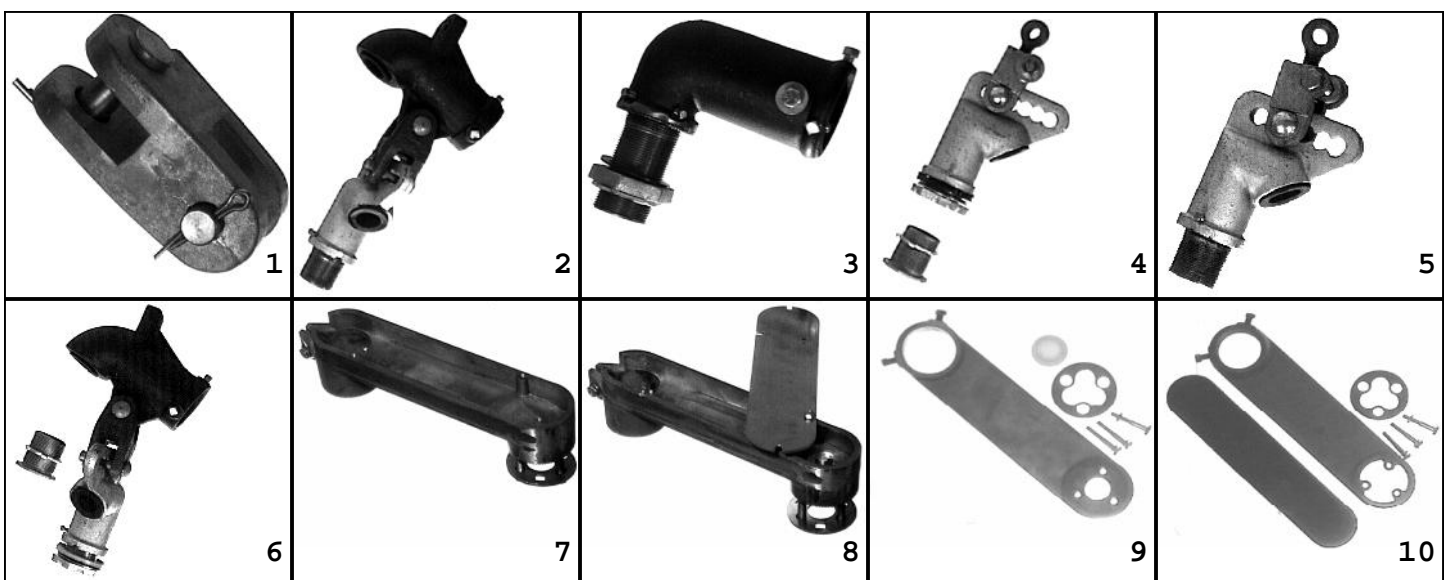
Component parts for MAST ARM

Pic# P/N Description:

1	5193	CLEVIS HANGER, IRON	3/4"X3/4", W/PINS, SPC COLR
1	5117	CLEVIS HANGER, AL	3/4"X3/4", W/PINS P2
1	5119	CLEVIS HANGER, AL	1/2"X1/2", W/PINS P2
2	3715	MAST ARM MOUNT ASSY, IRON	1W, END MOUNT, W/O CLSRS
3	3000	MAST ARM MOUNT ASSY, IRON	ELBOW PLUMB, TX SPEC, YEL
4	4137	MAST ARM MOUNT ASSY, IRON	1W, MID MOUNT, W/CLOSURE
5	4138	MAST ARM MOUNT ASSY, IRON	1W, MID MOUNT, W/O CLSRS
6	4136	MAST ARM MOUNT ASSY, IRON	1W, END MOUNT, W/CLOSURE

Component parts for EZBRAC

7	6076	ARM ASSY, 9", SLIP, TRISTUD	CLOSED END, PLTHDW, 2SS P3
7	6077	ARM ASSY, 9", SLIP, TRISTUD	FOR 1" CGB, PLTHDW, 2SS P3
7	6078	ARM ASSY, 9", SLIP, TRISTUD	FOR 3/4" CGB, PLTHDW, 2SS P3
7	5237	ARM ASSY, 9", SLIP, TRISTUD	CLOSED END, PLTHDW, YEL
7	5238	ARM ASSY, 9", SLIP, TRISTUD	FOR 3/4" CGB, PLTHDW, YEL
7	5239	ARM ASSY, 9", SLIP, TRISTUD	FOR 1" CGB, PLTHDW, YEL
8	6079	ARM ASSY, 9", SLIP, TRISTUD	W/HOLE+CVR, PLTHDW, 2SS P3
8	5619	ARM ASSY, 9", SLIP, TRISTUD	W/HOLE+COVER, PLTHDW P3
9	7642	ARM ASSY, 9", SLIP, TRIBOLT	FOR 3/4" CGB, PLTHDW, 2SS P3
10	7643	ARM ASSY, 9", SLIP, TRIBOLT	W/HOLE+CVR, PLTHDW, 2SS P3



800.345.6329

114

www.trafficparts.com

©Traffic Parts, Inc.

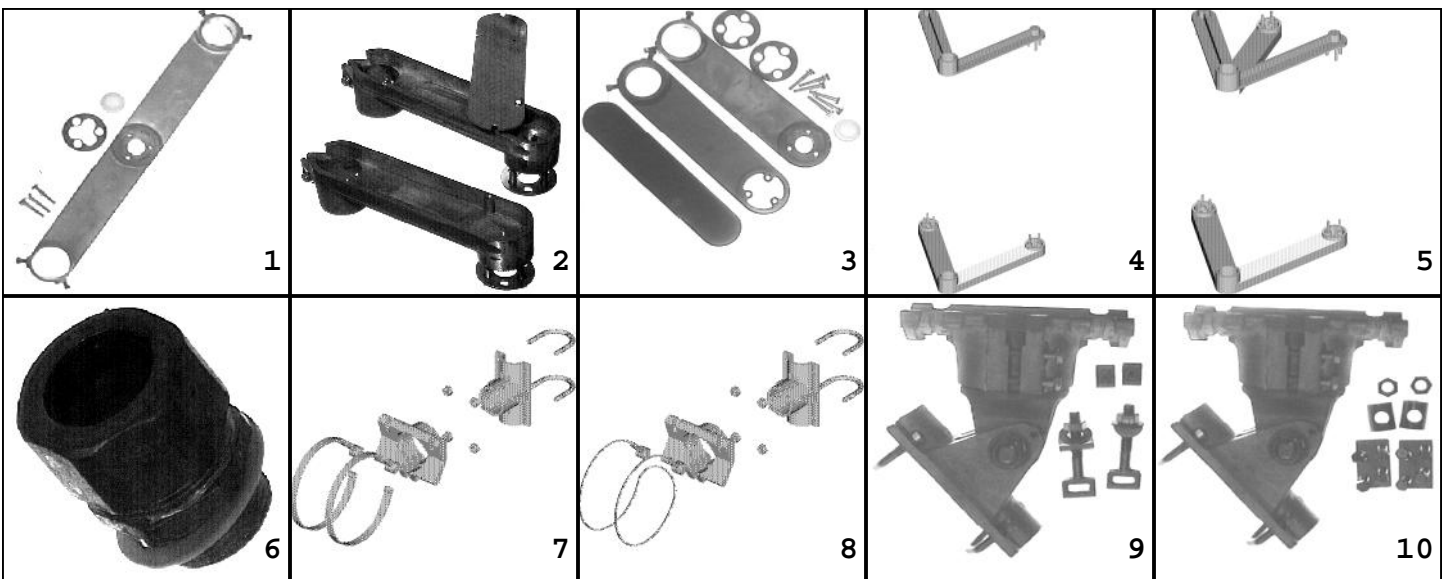
Traffic Parts,

Component parts for

EZBRAC

Pic# P/N Description:

1	7644	ARM ASSY,BOX,SLIP,TRIBOLT	FOR 3/4"CGB,PLTHDW,4SS P4
2	7573	ARM KIT,9",VERT,TRISTUD	PLTHDW,SPC CLR
2	7574	ARM KIT,9",VERT,TRISTUD	SS HW,SPC CLR
3	7649	ARM KIT,9",VERT,TRIBOLT	PLTHDW,SPC CLR
3	7650	ARM KIT,9",VERT,TRIBOLT	SS HW,SPC CLR
4	2057	MAST ARM MOUNT,ARM KIT	STD HEAD,2W 2XP4
5	2055	MAST ARM MOUNT,ARM KIT	STD HEAD,DOGHOUSE 2XP4
6	5159	CGB,METAL,3/4" THREAD	5/8"-3/4" CABLE
6	5200	CGB,METAL,3/4" THREAD	1/2"-5/8" CABLE
6	6043	CGB,METAL,1" THREAD	1/2"-5/8" CABLE
6	2705	CGB,METAL,1" THREAD	5/8"-3/4" CABLE
6	7535	CGB,NYLON,3/4" THREAD,BLK	1/2-5/8" CABLE
6	7536	CGB,NYLON,1" THREAD,BLK	5/8-3/4" CABLE
7	7388	EZ BRAC CLMP KIT,STANDARD	5/8"BAND RDY(NO BANDS) P4
7	5311	EZ BRAC CLMP KIT,STANDARD	5/8"X29" BAND P4
7	5620	EZ BRAC CLMP KIT,STANDARD	5/8"X36" BAND P4
7	5621	EZ BRAC CLMP KIT,STANDARD	5/8"X42" BAND P4
7	5622	EZ BRAC CLMP KIT,STANDARD	5/8"X48" BAND P4
7	5623	EZ BRAC CLMP KIT,STANDARD	5/8"X56" BAND P4
8	7390	EZ BRAC CLMP KIT,STANDARD	3/16"CBL RDY(NO CABLES) P4
8	5312	EZ BRAC CLMP KIT,STANDARD	3/16"X66" CABLE P4
8	5624	EZ BRAC CLMP KIT,STANDARD	3/16"X84" CABLE P4
8	7272	EZ BRAC CLMP KIT,STANDARD	3/16"X98" CABLE P4
8	7173	EZ BRAC CLMP KIT,STANDARD	3/16"X120"CABLE P4
9	7389	EZ BRAC CLMP KIT,SWIVEL	5/8"BAND RDY(NO BANDS) P4
10	7391	EZ BRAC CLMP KIT,SWIVEL	3/16"CBL RDY(NO CABLES) P4



800.345.6329

115

www.trafficparts.com

©Traffic Parts, Inc.

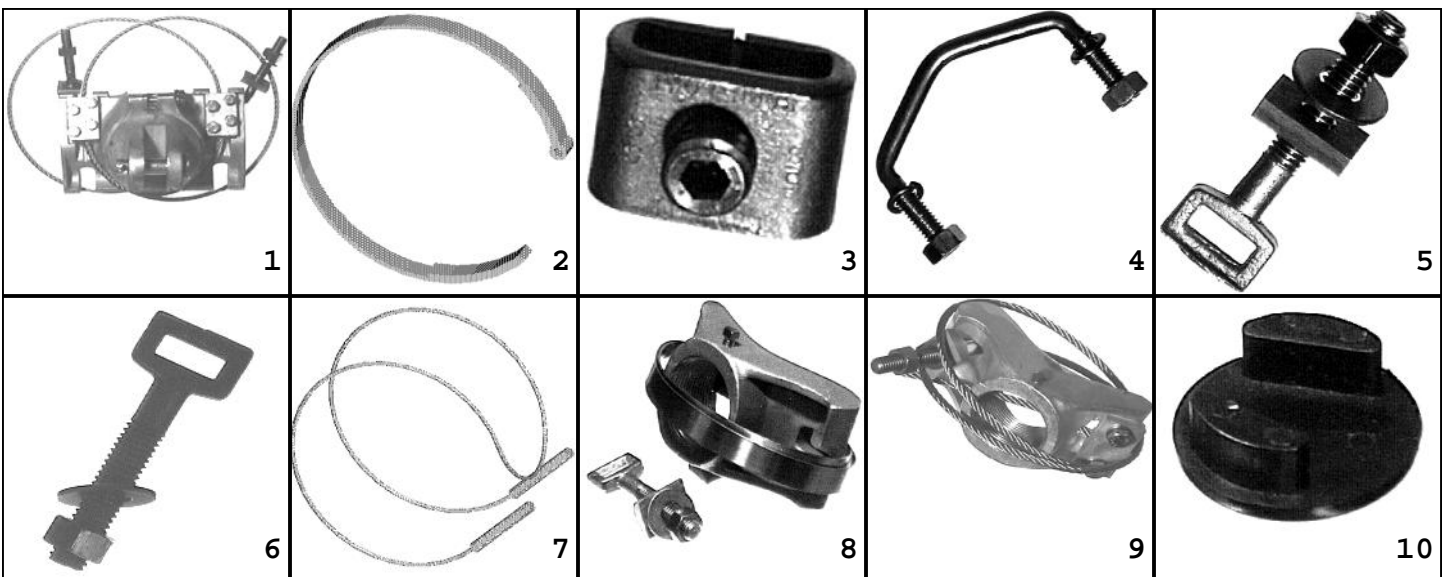
Traffic Parts,

Component parts for

EZBRAC

Pic# P/N Description:

1	7038	EZ BRAC CLMP KIT,FR SWING	3/16"X66" CABLE	P4
1	7591	EZ BRAC CLMP KIT,FR SWING	3/16"CBL RDY(NO CABLES)	P4
1	7039	EZ BRAC CLMP KIT,FR SWING	5/8"X29" BAND	P4
1	7590	EZ BRAC CLMP KIT,FR SWING	5/8"BAND RDY(NO BANDS)	P4
2	4880	EZ BRAC BANDING ASSY,29"	1 PC, W/O CLAMP	
2	4881	EZ BRAC BANDING ASSY,36"	1 PC, W/O CLAMP	
2	4882	EZ BRAC BANDING ASSY,42"	1 PC, W/O CLAMP	
2	4883	EZ BRAC BANDING ASSY,48"	1 PC, W/O CLAMP	
2	4884	EZ BRAC BANDING ASSY,56"	1 PC, W/O CLAMP	
3	5131	EZ BRAC,SS BAND CLAMPS	5/8",25/BOX	
4	4886	EZ BRAC U BOLT KIT,3"C/C	(1 UBOLT,2 NUTS,2 LK WSH)	
4	6356	EZ BRAC U BOLT KIT,SS	(1 UBOLT,2 NUTS,2 LK WSH)	
5	4887	EZ BRAC CLAMP SCREW KIT	2 EACH:BOLT,HFRND,NUT,WSH	
6	6303	EZ BRAC CLAMP BOLT KIT	1 FORGED BOLT,NUT,WASHER	
7	5242	EZ BRAC CABLE ASSY,66"		
7	5243	EZ BRAC CABLE ASSY,84"		
7	7254	EZ BRAC CABLE ASSY,98"		
7	7142	EZ BRAC CABLE ASSY,120"		
8	2845	EZ MINI-BRACKET ASSY	W/29" BAND	P3
9	7108	EZ MINI-BRACKET ASSY	W/46" CABLE	P3
	7107	EZ MINI BRAC CABLE ASSY	46",STUD ONE END ONLY	
10	5543	EZ BRAC TUBE CAP	PLASTIC, BLACK	



800.345.6329

116

www.trafficparts.com

©Traffic Parts, Inc.

Traffic Parts,

Component parts for

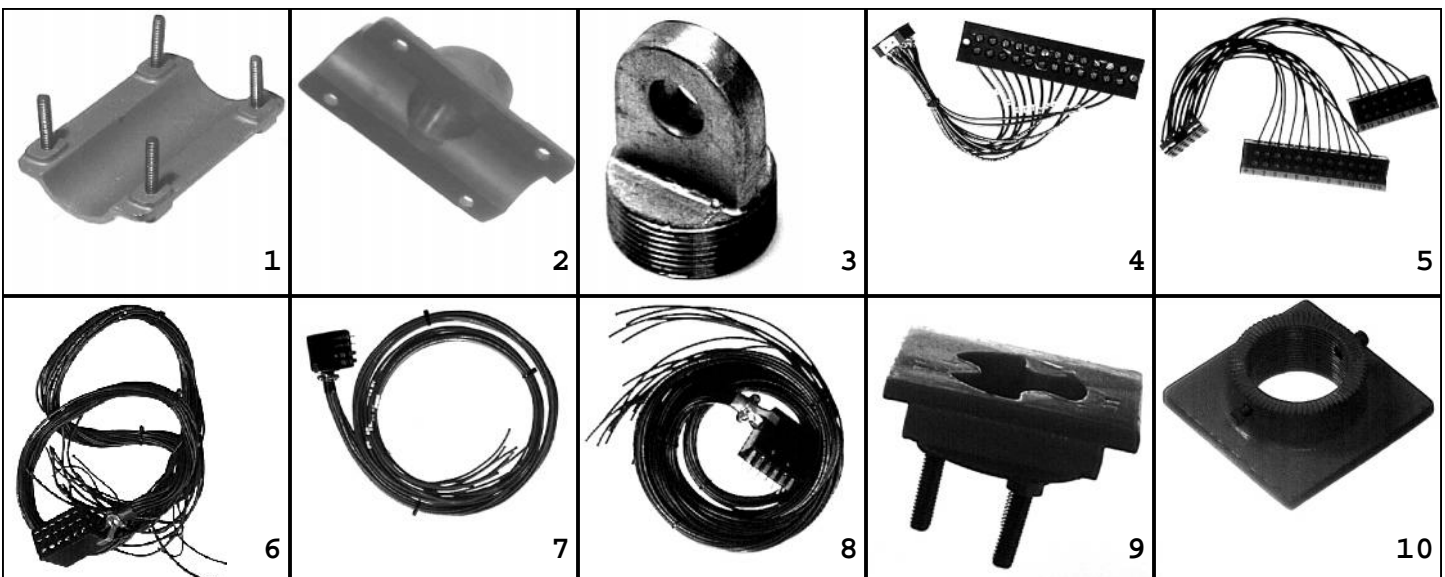
EZBRAC

Pic# P/N Description:

1	6320	EZ BRAC TUBE SADDLE,4STUD	FOUR STUD,SS	P2
2	6339	EZ BRAC TUBE SADDLE,UBOLT	1.5"FNPSL,2SS	P2

Component parts for DISCONN HGRS

3	111	BALANCE ADAPTER,AL	1.5"MNPS	P2
3	1533	BALANCE ADAPTER,AL,SSBUSH	1.5"MNPS	P2
4	3303	DISCONNECT BLOCK ASSEMBLY	12 POSITION,FEMALE SOCKET	
	3302	DISCONNECT BLOCK ASSEMBLY	12 POSITION,MALE SOCKET	
5	3305	DISCONNECT BLOCK ASSEMBLY	18 POSITION,FEMALE SOCKET	
	3304	DISCONNECT BLOCK ASSEMBLY	18 POSITION,MALE SOCKET	
	1535	DISCONNECT HARNESS,12CKT	FEMALE CONN,4' LONG	
	5582	DISCONNECT HARNESS,12CKT	FEMALE CONN,SPEC LENGTH	
6	1610	DISCONNECT HARNESS,18CKT	FEMALE CONN,4' LONG	
6	5584	DISCONNECT HARNESS,18CKT	FEMALE CONN,SPEC LENGTH	
7	1536	DISCONNECT HARNESS,12CKT	MALE CONN,4' LONG	
7	5581	DISCONNECT HARNESS,12CKT	MALE CONN,SPEC LENGTH	
8	1534	DISCONNECT HARNESS,18CKT	MALE CONN,4' LONG	
8	5583	DISCONNECT HARNESS,18CKT	MALE CONN,SPEC LENGTH	
9	1492	DISCONNECT HUBPLATE ASSY	TRISTUD,3 9/16X3 9/16	P2
10	2337	DISCONNECT HUBPLATE ASSY	1.5"FNPSL,3 9/16X3 9/16	P2



800.345.6329

117

www.trafficparts.com

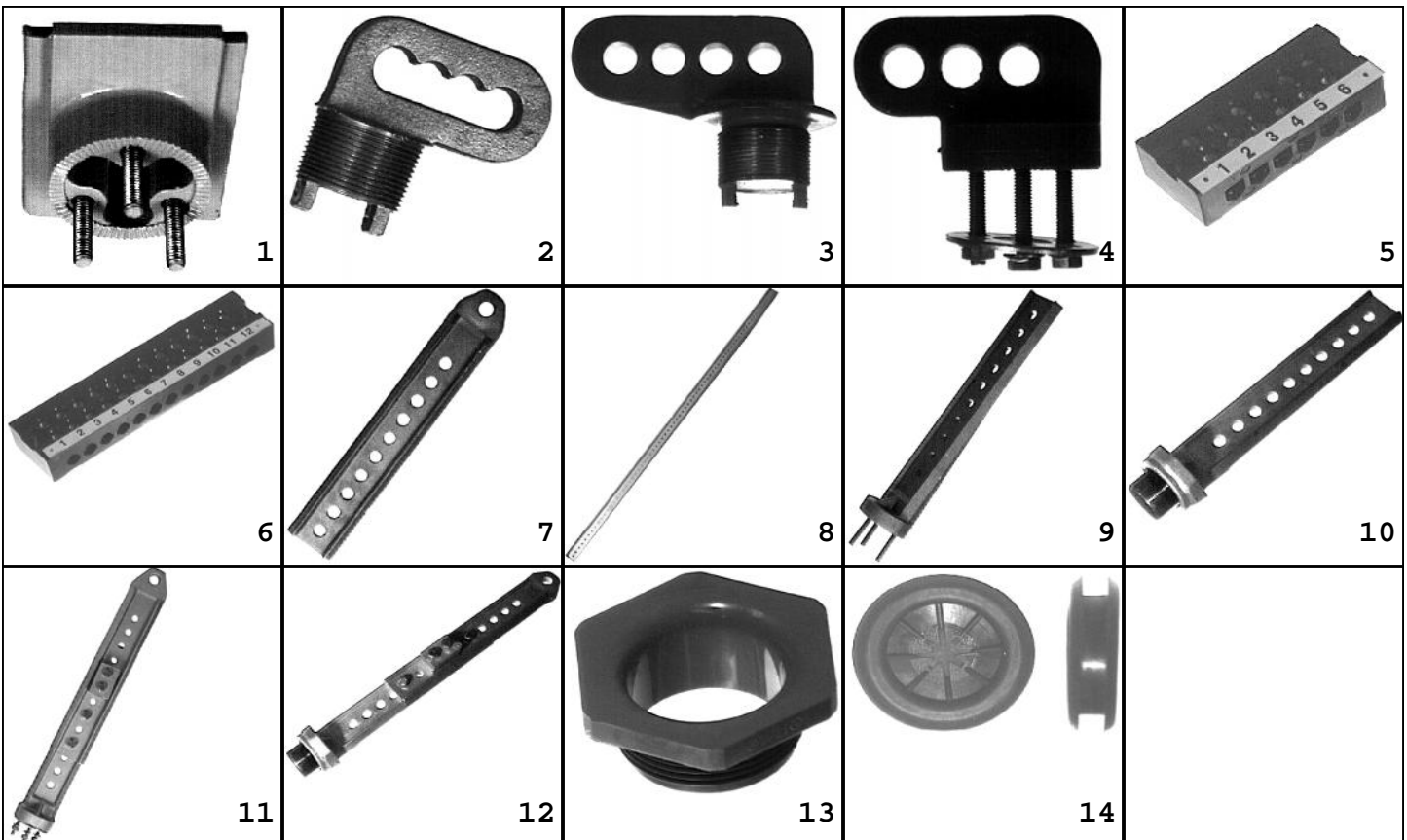
©Traffic Parts, Inc.

Traffic Parts,

Component parts for
DISCONN HGRS

Pic# P/N Description:

1	4199	DISCONNECT HUBPLATE ASSY	TRISTUD, 4 1/4X3 1/4	P2
2	3427	DISC SIGNAL HANGER, FE, GLV	THREADED, 1.5" MNPS, SPC CLR	
3	3448	DISC SIGNAL HANGER, ALUM	THREADED, 1.5" MNPS	P2
4	1584	DISC SIGNAL HANGER, ALUM	TRISTUD, 5/8"W	
4	5589	DISC SIGNAL HANGER, ALUM	TRISTUD, 5/8"W, SSBUSH	
5	3442	TERMINAL BLOCK, 6 POSITION	PRESS TYPE, 55A, 300V	
6	2354	TERMINAL BLOCK, 12 POSITION	PRESS TYPE, 55A, 300V	
7	4262	HANGER, AL, ADJ, UPPER, 13.5"		P2
7	5590	HANGER, AL, ADJ, UPPER, 13.5"	SSBUSH	P2
8	4834	HANGER EXTENSION, AL, 3'	ADJUSTABLE HANGER ASSY	P2
8	4267	HANGER EXTENSION, AL, 6'	ADJUSTABLE HANGER ASSY	P4
9	4264	HANGER, AL, ADJ, LOWER, 12"	TRISTUD	P2
10	5977	HANGER, AL, ADJ, LOWER, 12"	OCT LOCK, 1.5" MNPS X 1"	P2
11	906	SIGNAL HANGER, ADJUSTABLE	AL, TRISTUD	P4
11	332	SIGNAL HANGER, ADJUSTABLE	AL, TRISTUD, SSHDW	P4
12	3868	SIGNAL HANGER, ADJUSTABLE	AL, W/1.5" MNPS	P4
13	6200	BUSHING, PLASTIC, 1 1/4"	THREADED, GRAY	
14	4144	GROMMET, EPDM, W/DIAPHRAM	1 1/4" X 1 1/2" X 1/4" GROOVE	



800.345.6329

118

www.trafficparts.com

©Traffic Parts, Inc.

Traffic Parts,

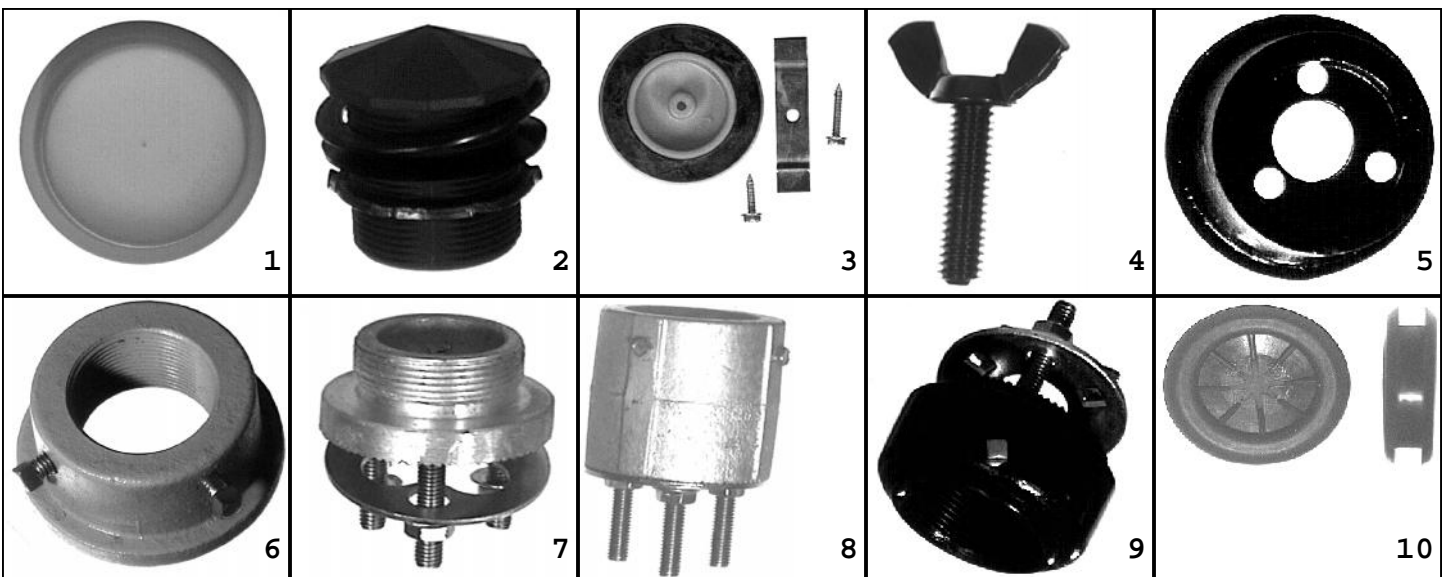
Component parts for
DISCONN HGRS

Pic# P/N Description:

1	1137	PLUG, PLASTIC, YEL, 2"	FOR SIGNAL TOP/BOTTOM	
1	3473	PLUG, PLASTIC, BLK, 2"	FOR SIGNAL TOP/BOTTOM	
2	3171	SIGNAL CLOSURE ASSY	AL, YELLOW	
2	5808	SIGNAL CLOSURE ASSY	AL, GREEN	
2	5809	SIGNAL CLOSURE ASSY	AL, BLACK	
3	1049	SIGNAL CLOSURE ASSY	PLASTIC, YELLOW	P2
3	6082	SIGNAL CLOSURE ASSY	PLASTIC, BLACK	P2
4	5577	WING NUT ASSY	FOR DISCONNECT HGR DOOR	

Items with GENERAL APPL

5	5351	ADAPTER, 3M SIG-TRISTUD	CASTING ONLY	P2
6	3425	ADAPTER, 3M SIG-1.5"MNPS	PLTD HDWR	P2
7	5118	ADAPTER, TRI-1.5"MNPS	PLTD HDWR	P2
7	7550	ADAPTER, TRI-1.5"MNPS	SS HDWR	P2
8	2072	ADAPTER, TRI-1.5"FNPSL, 2SS	PLTD HDWR, 2.5"OAL	P2
8	2077	ADAPTER, TRI-1.5"FNPSL, 2SS	SS HDWR, 2.5"OAL	P2
9	2067	ADAPTER, TRI-1.5"FNPSL, 1SS	PLTD HDWR, 1.5"OAL	P2
10	4144	GROMMET, EPDM, W/DIAPHRAM	1 1/4"X1 1/2"X1/4" GROOVE	
	6346	GROMMET, SBR, 60DURO	1/2"X3/4"ODX1/4" GROOVE	
	7193	GROMMET, SBR, 60DURO	3/4"X1"X1/4" GROOVE	



800.345.6329

119

www.trafficparts.com

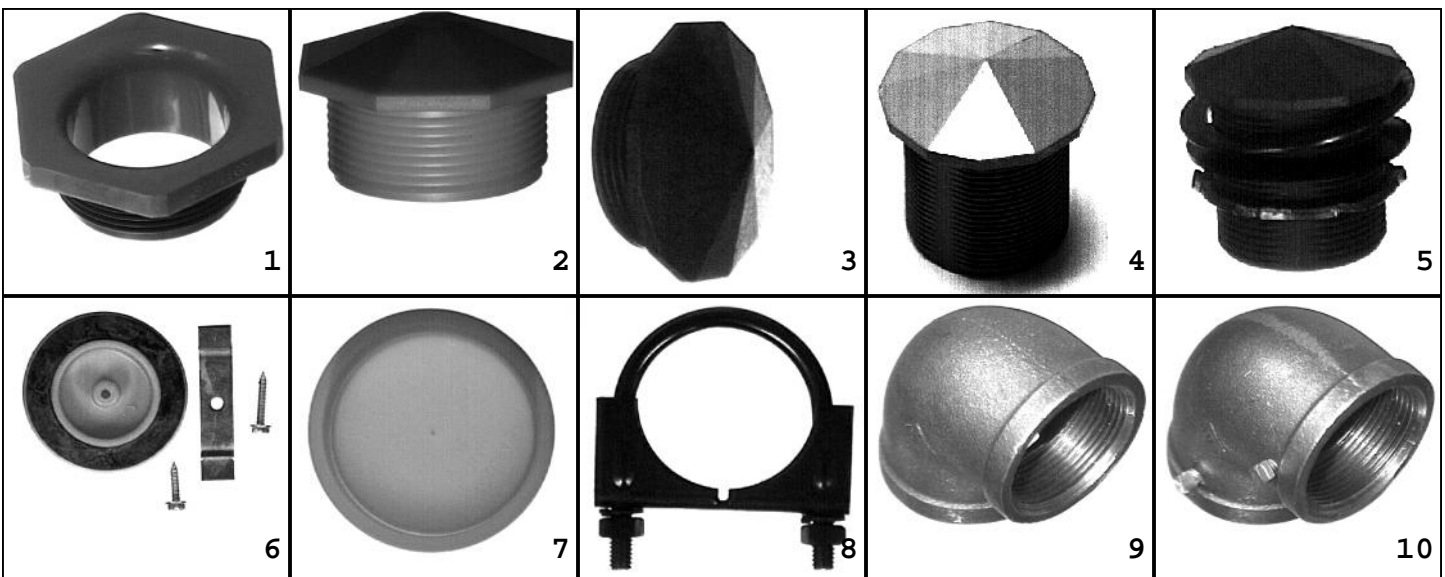
©Traffic Parts, Inc.

Traffic Parts,

Items with
GENERAL APPL

Pic# P/N Description:

1	6200	BUSHING, PLASTIC, 1 1/4"	THREADED, GRAY	
2	347	CAP, CLOSURE, PLASTIC, SHORT	1.5 X 7/8, YELLOW	P1
2	6140	CAP, CLOSURE, PLASTIC, SHORT	1.5 X 7/8, BLACK	P1
3	1109	CAP, CLOSURE, AL, FOR NPT	1.5 X 5/8"	P1
3	6028	CAP, CLOSURE, AL, FOR NPS	1.5 X 5/8	P1
3	231	CAP, CLOSURE, AL, MNPS	1.5 X 5/8", YELLOW	
4	1110	CAP, CLOSURE, AL	1.5 X 2"	P1
4	695	CAP, CLOSURE, AL	1.5 X 2", YELLOW	
5	3171	SIGNAL CLOSURE ASSY	AL, YELLOW	
5	5808	SIGNAL CLOSURE ASSY	AL, GREEN	
5	5809	SIGNAL CLOSURE ASSY	AL, BLACK	
6	1049	SIGNAL CLOSURE ASSY	PLASTIC, YELLOW	P2
6	6082	SIGNAL CLOSURE ASSY	PLASTIC, BLACK	P2
7	5265	PLUG, PLASTIC, RED	1/2"NPT, FOR 3/4" HOLE	
7	5281	PLUG, PLASTIC, YELLOW	3/4"NPT	
7	5270	PLUG, PLASTIC, YELLOW	1"NPT	
7	7346	PLUG, PLASTIC, BLACK	1"NPT	
7	6316	PLUG, PLASTIC, YELLOW	FOR THIN WALL 1 1/4"NPT	
7	5225	PLUG, PLASTIC, BLACK	FOR 1.5" PIPE	
7	1137	PLUG, PLASTIC, YEL, 2"	FOR SIGNAL TOP/BOTTOM	
7	3473	PLUG, PLASTIC, BLK, 2"	FOR SIGNAL TOP/BOTTOM	
8	5176	CLAMP, MUFFLER, 2"	ZN YELL PLT, W/NUTS	
9	2595	ELBOW, IRON, NPSL	STANDARD	P2
9	653	ELBOW, IRON, NPSL	STANDARD, YELLOW	
10	4363	ELBOW, IRON, NPSL	STANDARD, W/2SS	P2
10	7007	ELBOW, IRON, NPSL, HD GALV	STANDARD, W/2SS	P2



800.345.6329

120

www.trafficparts.com

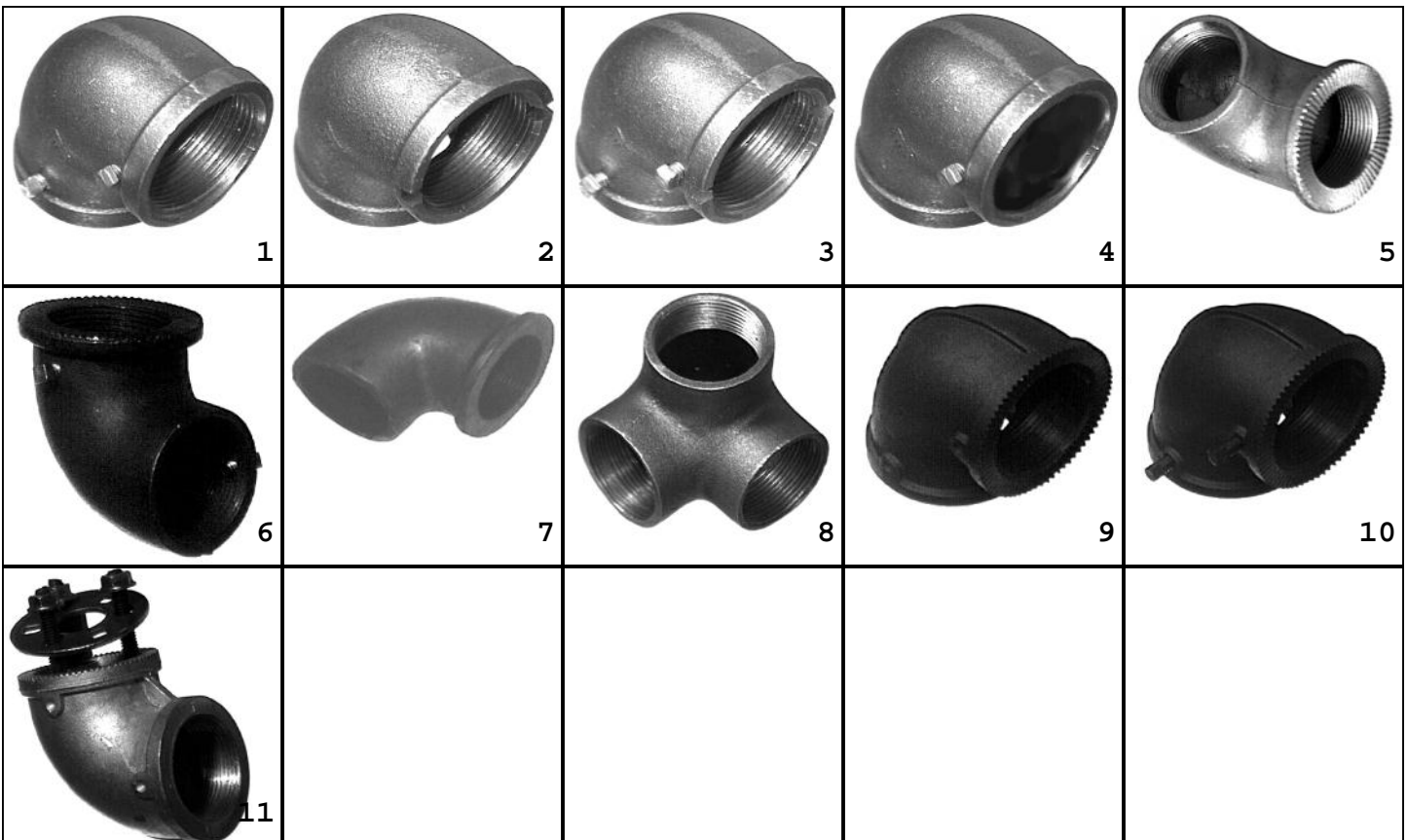
©Traffic Parts, Inc.

Traffic Parts,

Items with
GENERAL APPL

Pic# P/N Description:

1	5348	ELBOW, IRON, NPSL	STD, W/3SS, SPEC COLOR	
2	2596	ELBOW, IRON, NPSL	STANDARD, W/SLOTS	P2
3	2130	ELBOW, IRON, NPSL	STANDARD, W/SLOTS, W/2SS	P2
4	3498	ELBOW, IRON, NPSL	REAMED 1 PORT, W/1SS	P2
4	6801	ELBOW, IRON, NPSL, HD GALV	REAMED 1 PORT, W/1SS	P2
5	652	ELBOW, IRON, NPSL	SHURLOCK	P2
5	4450	ELBOW, IRON, NPSL	SHURLOCK, YELLOW	
5	6375	ELBOW, IRON, NPSL, HD GALV	SHURLOCK	P2
6	4462	ELBOW, IRON, NPSL	SHURLOCK, W/2 SS	P2
6	7008	ELBOW, IRON, NPSL, HD GALV	SHURLOCK, W/2SS	P2
7	6376	ELBOW, IRON, NPSL, HD GALV	FLANGED	P2
8	3909	ELBOW, IRON, NPSL	SIDE OUTLET	P2
9	1276	ELBOW, AL, NPSL	SHURLOCK	P1
10	4366	ELBOW, AL, NPSL	SHURLOCK, W/2SS	P2
10	5274	ELBOW, AL, NPSL	SHURLOCK, W/2SS, YELLOW	
	4463	ELBOW, AL, NPSL	REAMED 1 PORT, W/1SS	P2
11	2390	ELBOW, AL, TRISTUD ASSY	SHURLOCK, PLTD HDWR	P2
11	7551	ELBOW, AL, TRISTUD ASSY	SHURLOCK, SS HDWR	P2



800.345.6329

121

www.trafficparts.com

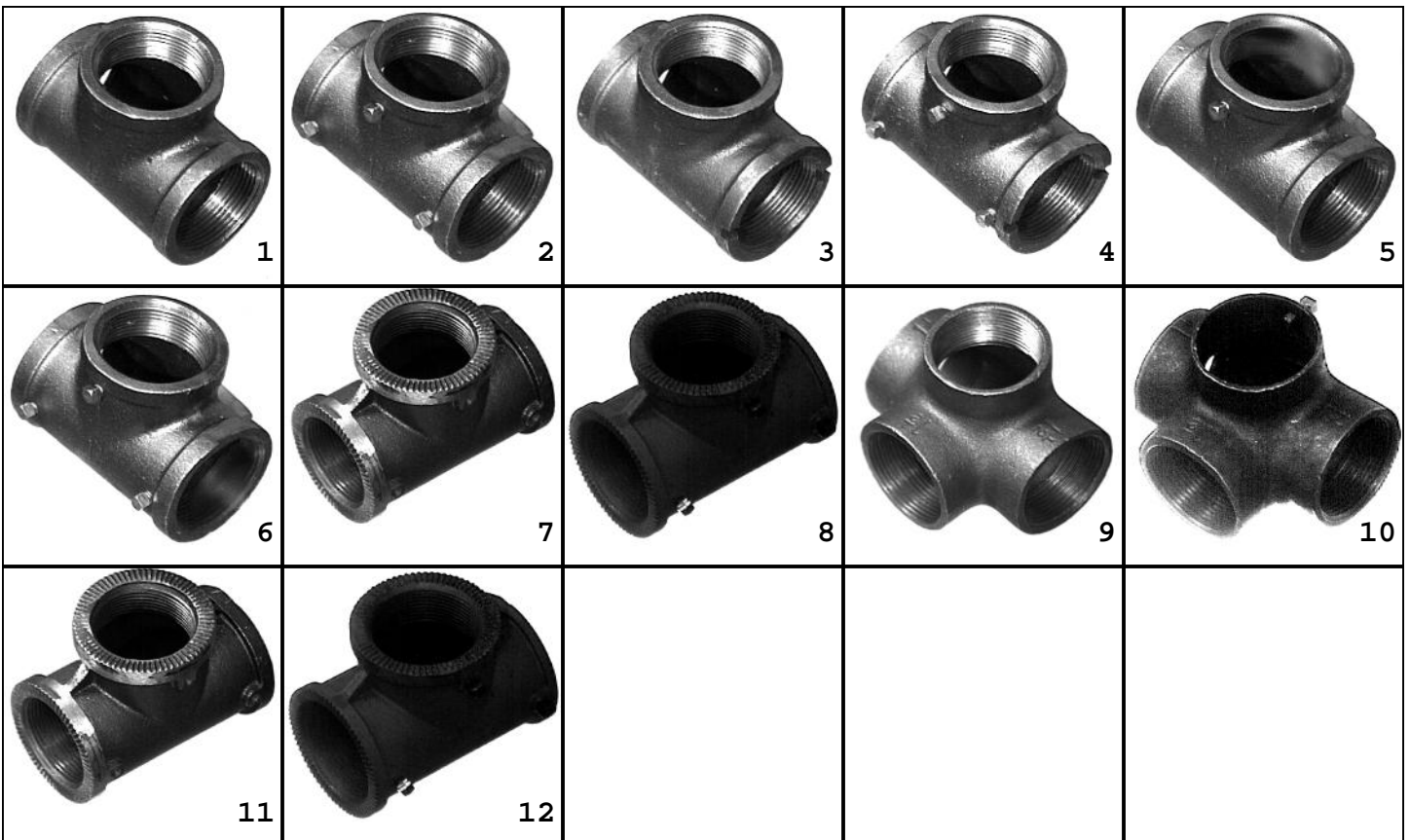
©Traffic Parts, Inc.

Traffic Parts,

Items with
GENERAL APPL

Pic# P/N Description:

1	2597	TEE, IRON, NPSL	STANDARD	P2
1	6725	TEE, IRON, NPSL, HD GALV	STANDARD	P2
2	4364	TEE, IRON, NPSL	STANDARD, W/3SS	P2
3	2598	TEE, IRON, NPSL	STANDARD, W/SLOTS	P2
4	2131	TEE, IRON, NPSL	STANDARD, W/SLOTS, W/3SS	P2
5	2437	TEE, IRON, NPSL	REAMED OUTLET, W/1SS	P2
5	6802	TEE, IRON, NPSL, HD GALV	REAMED OUTLET, W/1SS	P2
6	2750	TEE, IRON, NPSL	REAMED RUN, W/3SS	P2
6	7006	TEE, IRON, NPSL, HD GALV	REAMED RUN, W/3SS	P2
7	651	TEE, IRON, NPSL	SHURLOCK RUN+OUTLET	P2
7	4451	TEE, IRON, NPSL	SHURLOCK, YELLOW	
7	6374	TEE, IRON, NPSL, HD GALV	SHURLOCK RUN+OUTLET	P2
8	4464	TEE, IRON, NPSL	SHURLOCK, W/3SS	P2
9	3910	TEE, IRON, NPSL, SIDE OUTLET		P2
10	5079	TEE, IRON, NPSL, SIDE OUTLET	REAMED OUTLET, W/1SS	P2
11	1187	TEE, AL, NPSL	SHURLOCK OUTLET+RUN	P2
12	4367	TEE, AL, NPSL	SHURLOCK RUN/OUTL, 3SS	P2
12	5847	TEE, AL, NPSL	SHURLOCK, W/3SS, YELLOW	



800.345.6329

122

www.trafficparts.com

©Traffic Parts, Inc.

Traffic Parts,

Items with
GENERAL APPL

Pic# P/N Description:

1	3200	TEE,AL,NPSL	REAMED OUTLET,W/3SS	P2
2	110	TEE,AL,NPSL	REAMED RUN,W/4SS	P2
2	5275	TEE,AL,NPSL	REAMED RUN,W/4SS,YELL	
3	3867	TEE,AL,TRISTUD ON OUTLET	SHURLOCK OUTLET,1PORT	P2
4	3866	TEE,AL,TRISTUD ON RUN	SHURLOCK OUTLET,1PORT	P2
5	2599	CROSS,IRON,NPSL	STANDARD	P2
5	6726	CROSS,IRON,NPSL,HD GALV	STANDARD	P2
6	4365	CROSS,IRON,NPSL	STANDARD,W/4SS	P2
7	2600	CROSS,IRON,NPSL	STANDARD,W/SLOTS	P2
8	2132	CROSS,IRON,NPSL	STANDARD,W/SLOTS,W/4SS	P2
9	2782	CROSS,IRON,NPSL	REAMED 1 PORT,W/1SS	P2
10	4449	CROSS,IRON,NPSL	SHURLOCK	P2
10	4452	CROSS,IRON,NPSL	SHURLOCK,YELLOW	
11	4461	CROSS,IRON,NPSL	SHURLOCK,W/4SS	P2
12	3472	CROSS,AL,NPSL	SHURLOCK	P2
13	1188	CROSS,AL,NPSL	SHURLOCK,W/4SS	P2
13	5860	CROSS,AL,NPSL	SHURLOCK,W/4SS,YELLOW	
13	6710	CROSS,AL,NPSL,SLIP 2PORTS	SHURLOCK,W/5SS,YELLOW	



800.345.6329

123

www.trafficparts.com

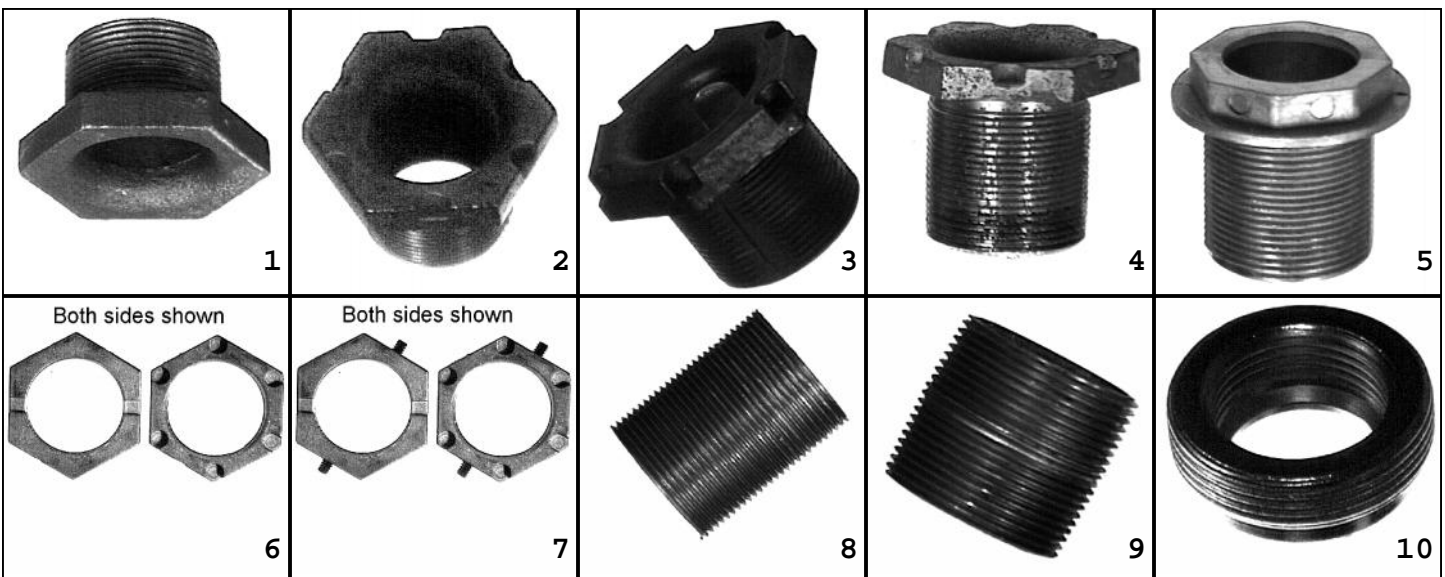
©Traffic Parts, Inc.

Traffic Parts,

Items with
GENERAL APPL

Pic# P/N Description:

1	2777	LOCK NIPPLE, FE, HEX	1 1/8" LONG, FOR NPT	P2
1	881	LOCK NIPPLE, FE, HEX	1 1/8" LONG, FOR NPT, YEL	
2	2594	LOCK NIPPLE, FE, GALV, HEX	1 5/8" LONG, FOR NPT	P2
2	3772	LOCK NIPPLE, FE, GALV, HEX	1 5/8" LONG, FOR NPSL	P2
2	649	LOCK NIPPLE, FE, HEX	1 5/8" LONG, FOR NPSL, YEL	
2	904	LOCK NIPPLE, BRNZ, HEX	1 5/8" LONG, FOR NPSL	P2
3	4290	LOCK NIPPLE, AL, HEX	1 5/8" LONG, FOR NPSL	P2
4	2593	LOCK NIPPLE, FE, GALV, HEX	2" LONG, FOR NPSL	P2
4	5617	LOCK NIPPLE, ALUM, HEX	2" LONG, FOR NPSL	P2
4	5618	LOCK NIPPLE, BRNZ, HEX	2" LONG, FOR NPSL	P2
5	1111	LOCK NIPPLE, AL, OCTAGONAL	1 3/8" LONG, W/CAST WSHR	P2
5	1112	LOCK NIPPLE, AL, OCTAGONAL	1 3/4" LONG, W/CAST WSHR	P2
6	659	LOCK NUT, IRON, GALV, HEX	NOTCHES, NPSL, NO SS	P1
6	232	LOCK NUT, AL, HEX	NOTCHES, NO SS	P1
7	2982	LOCK NUT, IRON, GALV, HEX	NOTCHES, W/2SS	P1
7	5280	LOCK NUT, AL, HEX	NOTCHES, W/2SS	P1
8	4036	NIPPLE, TBE, FE, 1.5" X 2.75	GALV, 1.0NPT X 1.75NPS	P2
8	4163	NIPPLE, ALLTHREAD, FE	GALV, 1.5" X 4.5" NPS	P2
8	5273	NIPPLE, 4" OAL, NPT, GALV	FE, THRD1 X THRD1, YELLOW	
9	3478	NIPPLE, CLOSE, FE	1.5" X 1 3/4"	P2
9	2751	NIPPLE, CLOSE, FE, GALV	1.5" X 1 3/4", NPT X NPT	P2
10	5748	RE BUSHING, 1.5" TO 1"	PLATED STEEL	
10	7114	RE BUSHING, 1.25" TO 1"	PLATED STEEL	
10	7163	RE BUSHING, 1.25" TO .75"	PLATED STEEL	
10	7370	RE BUSHING, 1.5" TO .75"	PLATED STEEL	
10	7369	RE BUSHING, 1.5" TO .5"	PLATED STEEL	



800.345.6329

124

www.trafficparts.com

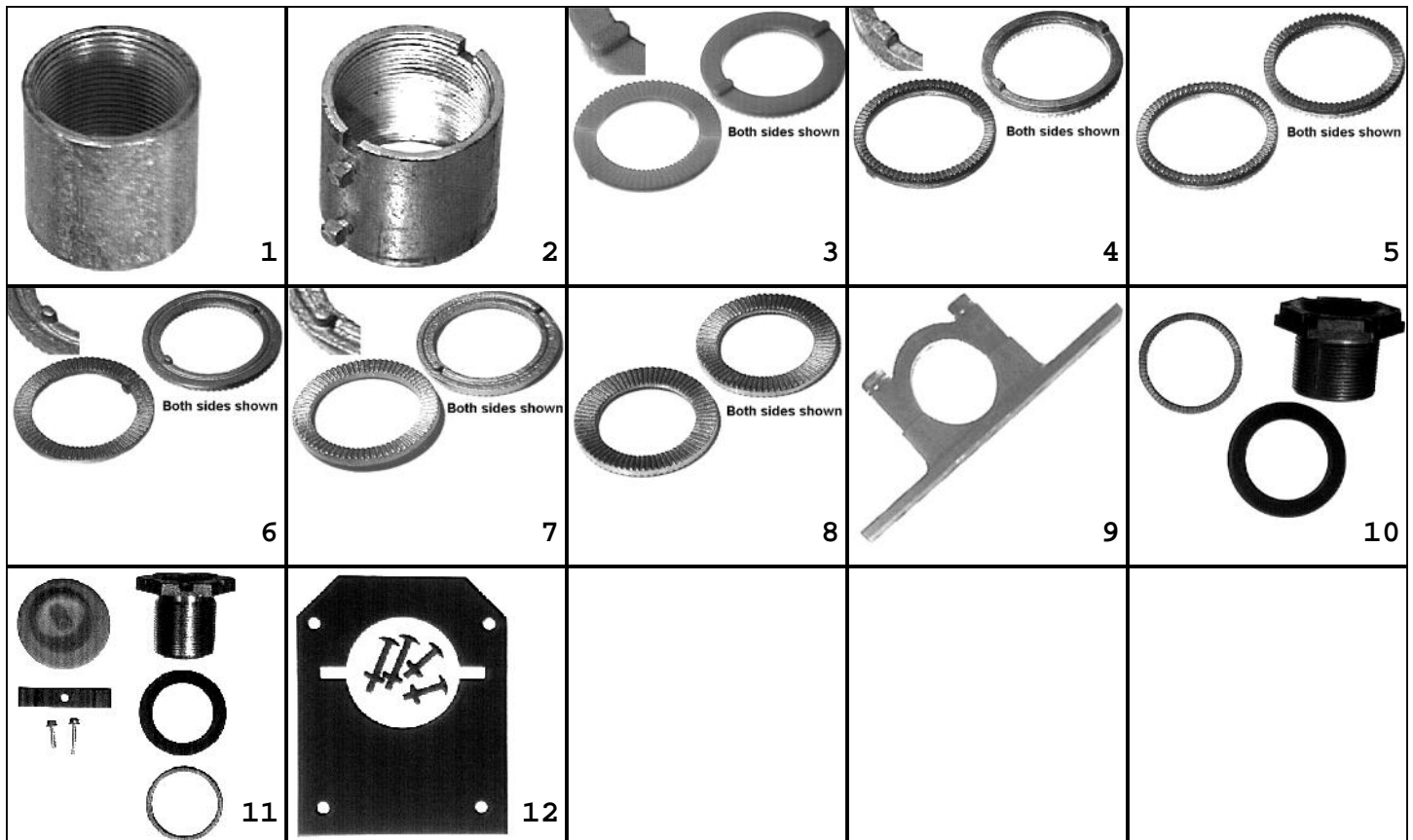
©Traffic Parts, Inc.

Traffic Parts,

Items with
GENERAL APPL

Pic# P/N Description:

	2779	PIPE CAP, 1.5", IRON, GALV	NPT	P1
1	2780	COUPLING, 1.5", IRON, GALV	NPS	P1
1	5625	COUPLING, 1.5", AL	NPS	P1
2	3480	COUPLING, IRON, GALV	NOTCHED, W/2SS	P2
2	5140	COUPLING, AL	NOTCHED, W/2SS	P2
3	349	SHURLOCK RING, PC, YELLOW	2"IDX2 7/8"OD	P1
3	3914	SHURLOCK RING, PC, BLACK	2"IDX2 7/8"OD	P1
4	647	SHURLOCK RING, AL	FULL PIN, 2"IDX2 3/8"OD	P1
5	2778	SHURLOCK RING, AL	DBL SIDE, 2"IDX2 3/8"OD	P1
6	648	SHURLOCK RING, AL	HALF PIN, 2"IDX2 5/8"OD	P1
6	3497	SHURLOCK RING, BRASS	HALF PIN, 2"IDX2 5/8"OD	P1
7	880	SHURLOCK RING, BRASS	FULL PIN, 2"IDX2 5/8"OD	P1
8	3010	SHURLOCK RING, BRASS	DBL SIDE, 2"IDX2 5/8"OD	P1
9	5750	SIGN CLAMP, 1.5" PIPE	HVY DUTY, 8"BLADE	P1
9	7157	SIGN CLAMP, 1.5" PIPE	HVY DUTY, 16"BLADE	P1
10	5082	SIGNAL MOUNT KIT, 1W, AL	FRAMEWORK	
11	5083	SIGNAL MOUNT KIT, 1W, AL	SPAN WIRE & MAST ARM	
12	6070	SUPPORT PLATE KIT	FOR CH PC SIGNALS	P2



800.345.6329

125

www.trafficparts.com

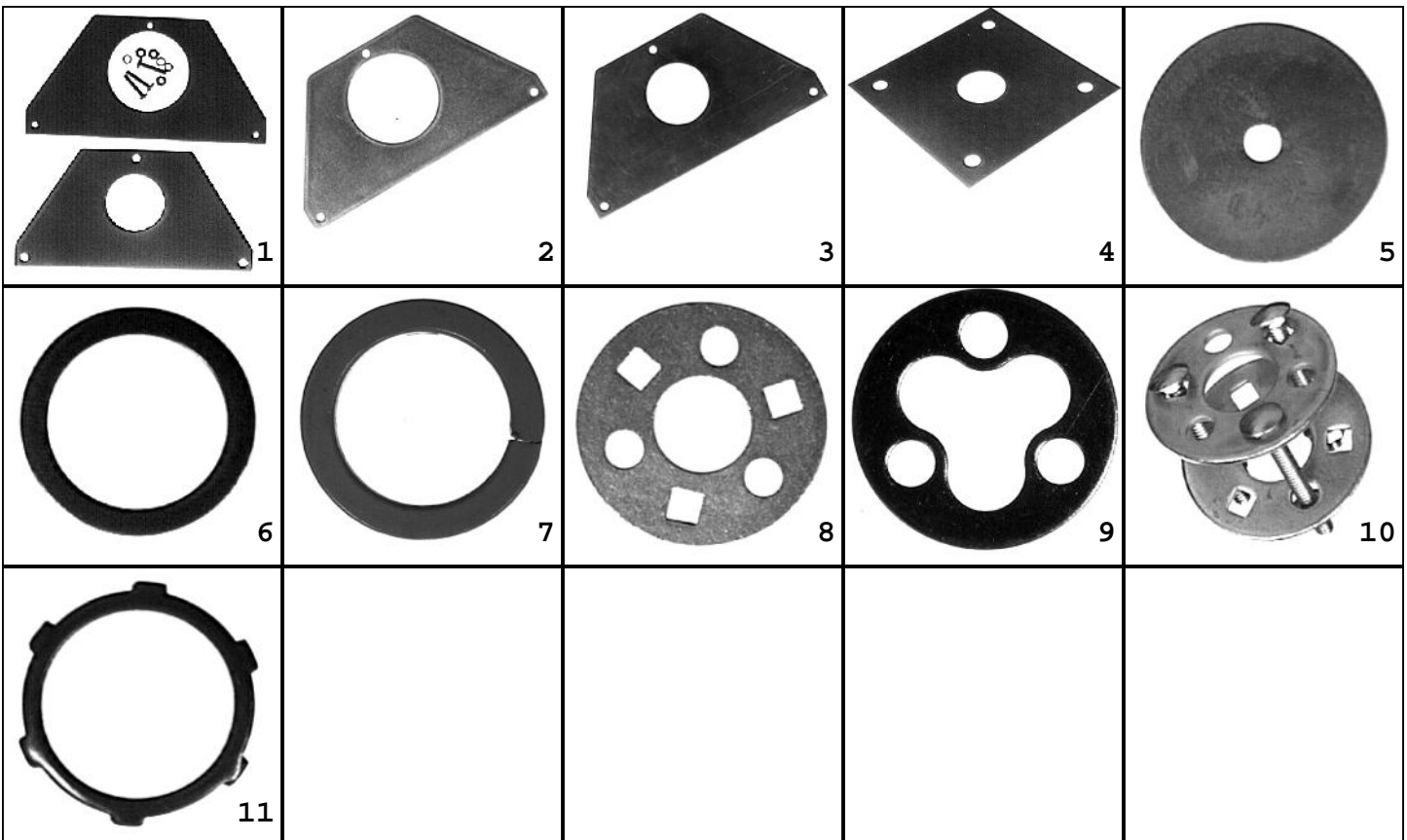
©Traffic Parts, Inc.

Traffic Parts,

Items with
GENERAL APPL

Pic# P/N Description:

1	556	SUPPORT PLATE KIT	EAGLE	P3
2	430	SUPPORT PLATE,PC SIGNAL	EAGLE,OUTSIDE MOUNT	P2
3	429	SUPPORT PLATE,PC SIGNAL	EAGLE,INSIDE MOUNT	P2
4	5501	TEMPLATE,SQR/OCT BASE	BOLT CIRCLE 12.75"	
5	3822	WASHER,MONOSTUD,PLATED	3/8"X2.5"ODX3/32" THICK	
5	6066	WASHER,MONOSTUD,STAINLESS	3/8"X2.5"ODX3/32" THICK	
6	2127	WASHER,RUBBER,1.5"		
6	2128	WASHER,STEEL,1.5"		
6	2781	WASHER,CORK,1.5"		
7	3100	WASHER,SPLIT,GALV	3/8"WX2" IDX2 3/4" OD	P1
8	3450	WASHER,TRISTUD,PLATED	ROUND CENTER HOLE	
8	6984	WASHER,TRISTUD,STAINLESS	ROUND CENTER HOLE	
9	5983	WASHER,TRISTUD,PLATED	CLOVER LEAF CENTER HOLE	
9	5984	WASHER,TRISTUD,STAINLESS	CLOVER LEAF CENTER HOLE	
10	1071	KIT,TRISTUD	PLATED,ROUND CENTER HOLE	
11	5585	LOCK RING,3/4",PLTD STEEL		
11	5586	LOCK RING,1",PLTD STEEL		
11	1135	LOCK RING,1.5"	PLATED STEEL	



800.345.6329

126

www.trafficparts.com

©Traffic Parts, Inc.

Traffic Parts,

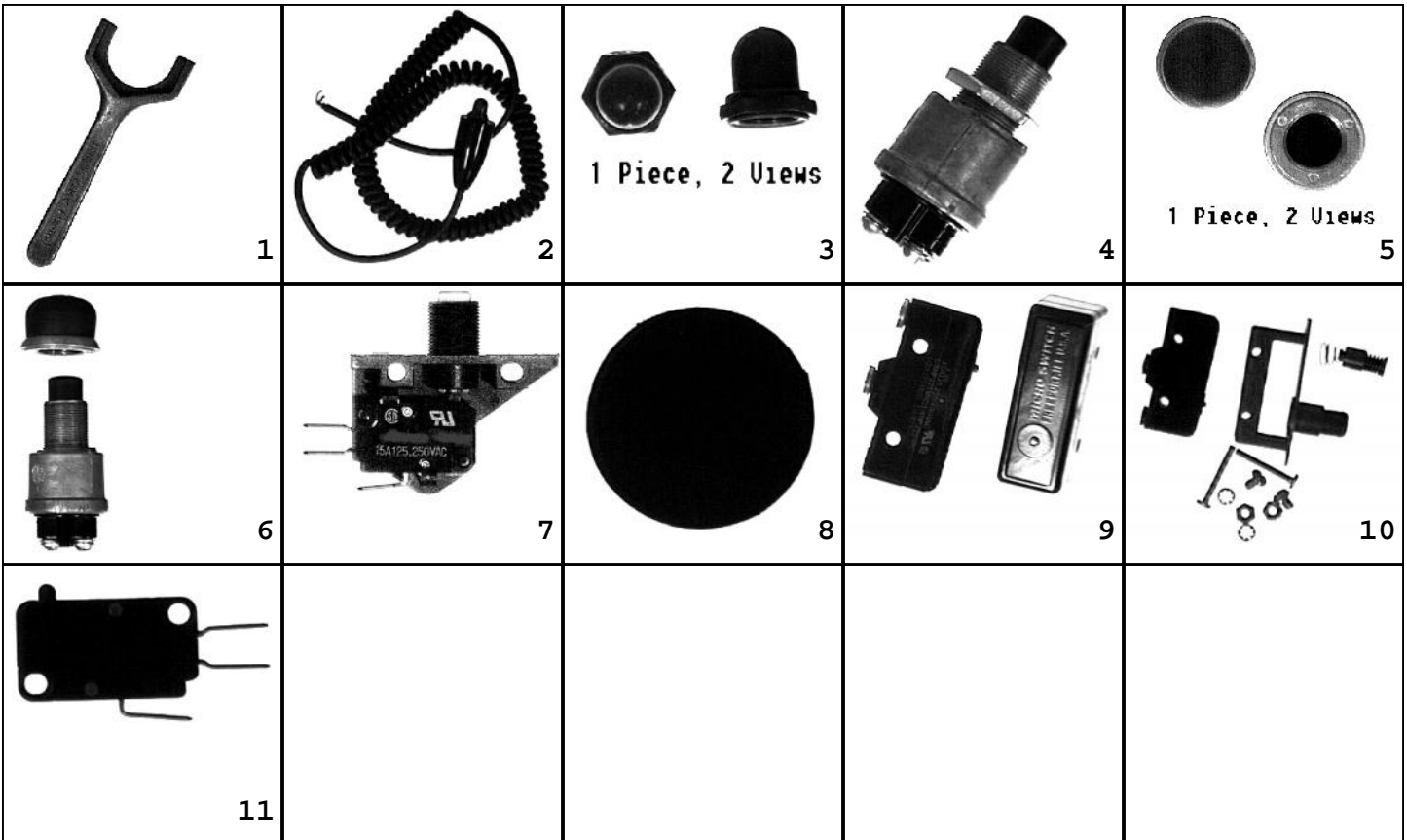
Items with
GENERAL APPL

Pic# P/N Description:

1	2159	WRENCH, SPANNER, IRON, GALV	10" HANDLE
	5727	PAINT, TOUCH UP, DARK GREEN	12 OZ SPRAY CAN
	5728	PAINT, TOUCH UP, YELLOW	12 OZ SPRAY CAN

Component parts for PUSHBUTTONS

2	869	PUSHBUTTON, POLICE	12 FOOT CORD W/PIGTAILS
3	3131	SEAL, POLICE PB SWITCH	
4	553	SWITCH, PUSHBUTTON	W/O RBOOT, S01, S10, T10
5	552	COVER, DUST	S01
6	4802	SWITCH, PUSHBUTTON	W/BOOT, S01, S10, T10
7	3120	SWITCH, PUSHBUTTON, W/BRKT	S02, S03
8	3819	RUBBER SHIELD, PUSHBUTTON	S03
8	2718	RUBBER SHIELD, PUSHBUTTON	EAGLE
9	6823	SWITCH, PUSHBUTTON, 1NO/1NC	S04, S06, S09, S11, T11
10	1668	SWITCH ASSY, PUSHBUTTON	S04
11	5258	SWITCH, PUSHBUTTON	S02, S03, S08



800.345.6329

127

www.trafficparts.com

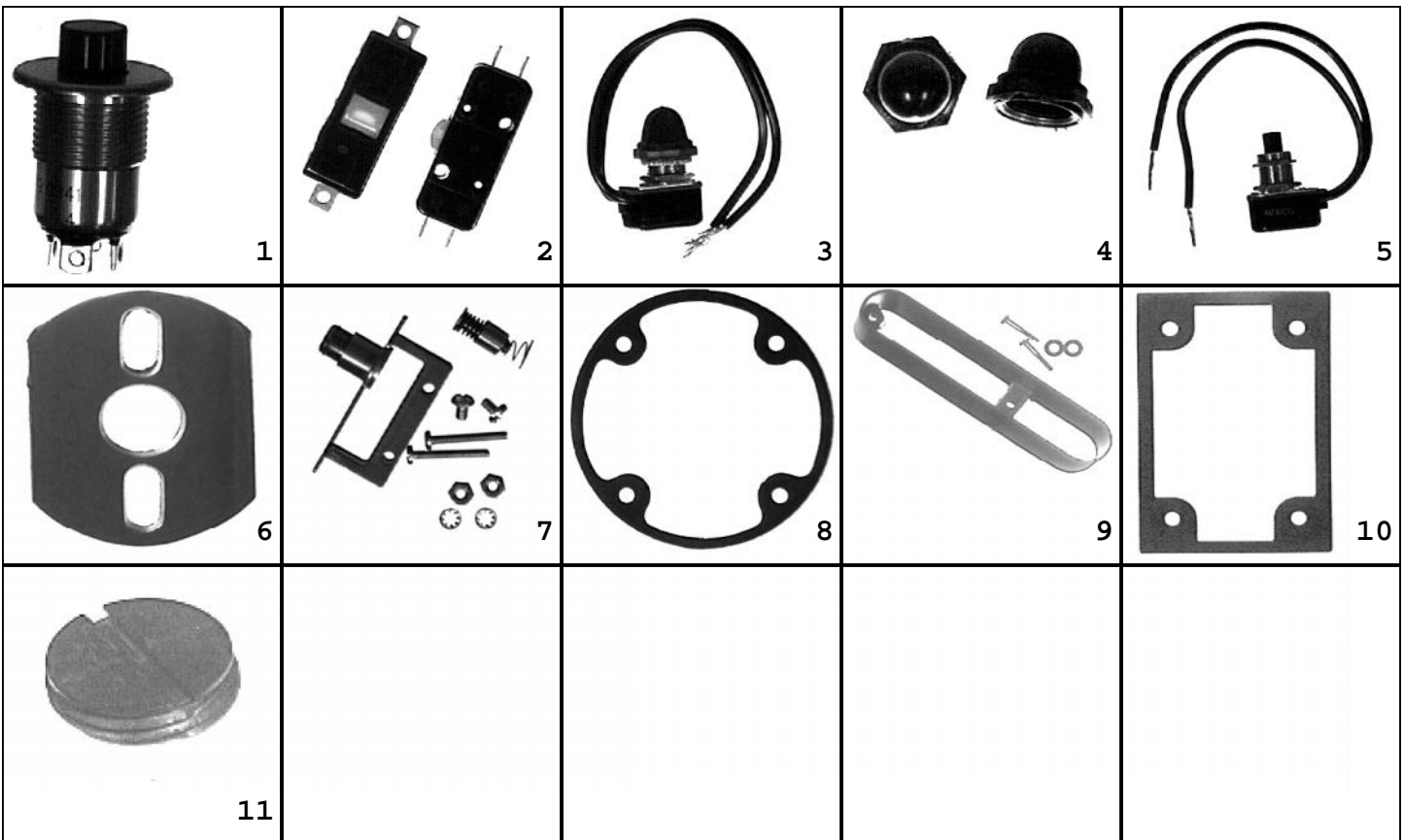
©Traffic Parts, Inc.

Traffic Parts,

Component parts for
PUSHBUTTONS

Pic# P/N Description:

1	1581	SWITCH, PUSHBUTTON	S07	
2	1162	SWITCH, PB	PPB-3	
3	1143	SWITCH, PB W/SEAL COVER	PPB-3/KENTRON	
4	3132	SEAL, PB SWITCH		
5	3130	SWITCH, PB W/O COVER	PPB-3/KENTRON	
6	6061	SADDLE, PUSHBUTTON	TYPE 2 STYLE	P1
7	1669	ACTUATOR BUTT+BRKT	S04	
8	5161	GASKET, PB, TPI 3" RND	1/16" THICK, NEOPRENE	
9	7592	STANDOFF, PB, KIT(W/2 BOLT)	AL, 9X12PB TO 4.5" POLE P2	
10	7299	GASKET, PB, TPI 3"X4.5"RECT	1/16" THICK, NEOPRENE	
11	6371	PLUG, METAL	1/2"NPS, THREADED	
11	7613	PLUG, METAL	3/4"NPS, THREADED	



800.345.6329

128

www.trafficparts.com

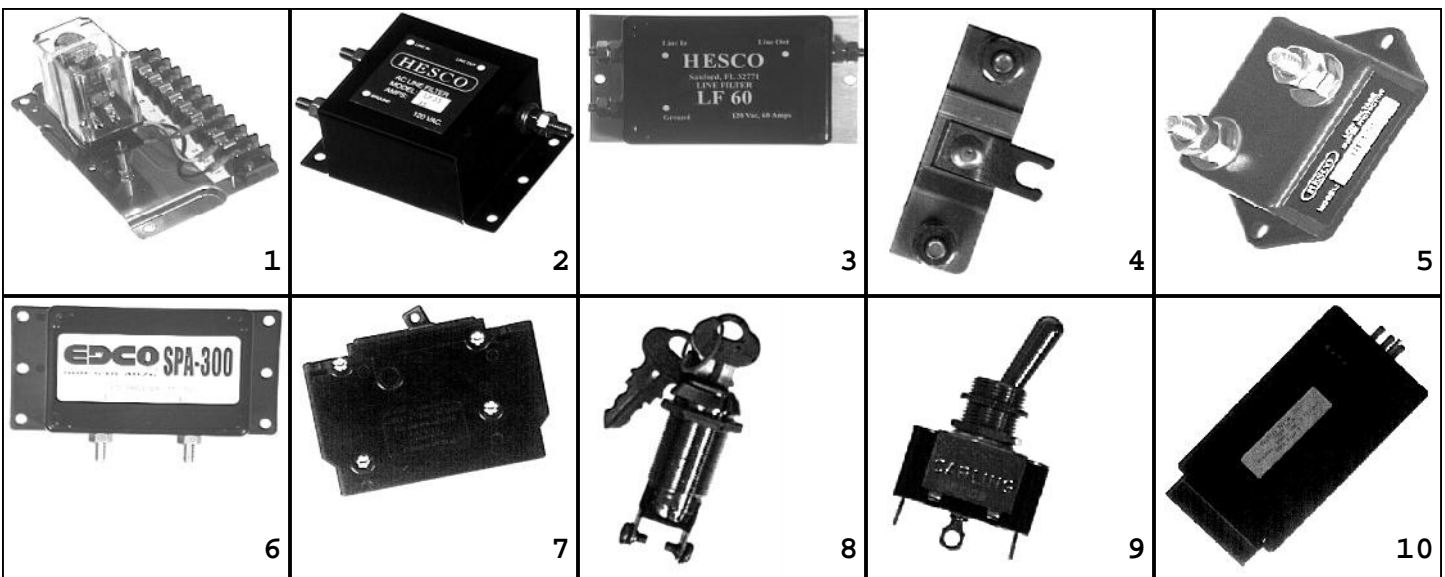
©Traffic Parts, Inc.

Traffic Parts,

Component parts for
FLASHER CABS

Pic# P/N Description:

	5186	TIMER, 1CH, 24H/7DAY, NEMA I	120VAC, CAPACITIVE BACKUP
1	6176	LUMINAIRE RELAY PANEL	W/RELAY
	7253	FLASHER PANEL, TXDOT	W/FLASHER
2	1683	FILTER, LINE, 30A, 120V, 60HZ	STANDARD DUTY
3	352	FILTER, LINE, 60A, 130V, 60HZ	HEAVY DUTY
4	1199	SURGE PROTECTOR	STANDARD DUTY
5	2885	SURGE PROTECTOR	HEAVY DUTY
6	1045	SURGE PROTECTOR, AC SERVIC	LINE/NEUT, EXTRA HVY DUTY
7	1136	CIRCUIT BREAKER, 1POLE, 15A	PANEL MOUNT
7	2217	CIRCUIT BREAKER, 1POLE, 20A	PANEL MOUNT
7	2413	CIRCUIT BREAKER, 1POLE, 30A	PANEL MOUNT
8	2540	KEY SWITCH, W/2 KEYS	MOMENTARY, NO
8	2745	KEY SWITCH, W/2 KEYS	MOMENTARY, NC
9	1485	SWITCH, AUTO-HAND	SPDT, 2POS, 15A
10	714	FLASHER, NEMA/170, 15A, 2CKT	DISCRETE
10	7165	FLASHER, NEMA, 15A, 2CKT	DISCRETE, 204-15
10	490	FLASHER, NEMA, 15A, 2CKT	REPLACEABLE CUBES
	4446	FLASHER, 170/CALTRANS	15A, DISCRETE
10	5551	FLASHER, 15A, 2CKT	DIMMABLE, 6PIN, PLUG-IN



800.345.6329

129

www.trafficparts.com

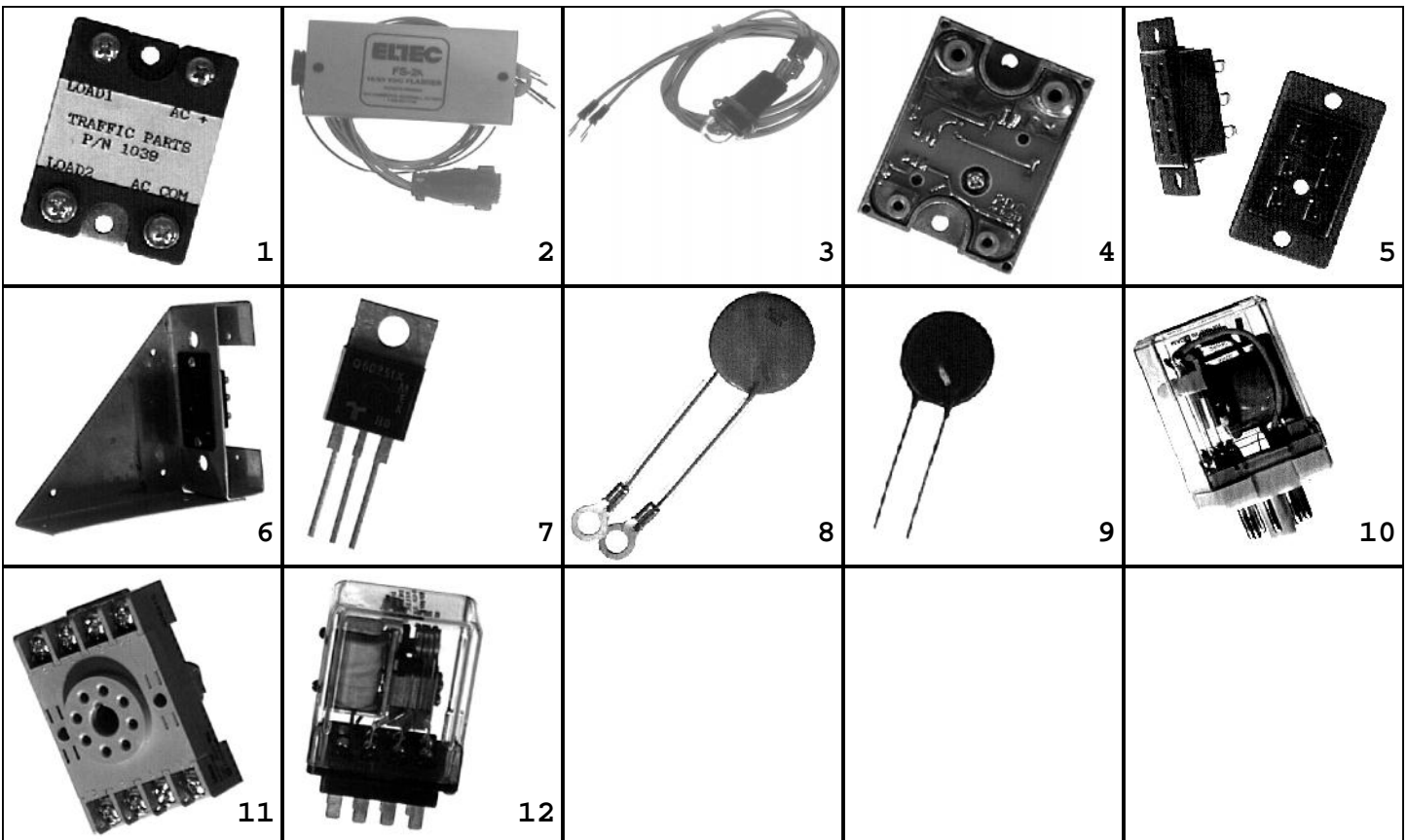
©Traffic Parts, Inc.

Traffic Parts,

Component parts for
FLASHER CABS

Pic# P/N Description:

1	1039	FLASHER, SS, 2CKT, 120VAC	CUBE
1	6112	FLASHER, SS, 2CKT, 12VDC	CUBE
2	7281	FLASHER, SOLAR, FS-2	12/24VDC
	5552	PHOTOCELL, 1000VA, 120VAC	3/8-18NPS STEM, WIRE LEADS
3	7317	PHOTOCELL, FOR SOLAR PNL	W/HOLDER AND HARNESS
	2933	CUBE FOR FLASHER, 40A	3VDC PULL-IN
	2934	CUBE FOR FLASHER, 25A	3VDC PULL-IN
4	220	CUBE, LDSW/FLASHER, 25A	12VDC, PULL-IN
5	210	SOCKET, 6, PIN, FEMALE	NEMA FLASHER, FLUSH MOUNT
6	451	BRKT ASSY, NEMA FLASHER	W/SOCKET, UNIVERSAL MOUNT
	6095	GROMMET, EPDM	5/8"X7/8"X1/16" GROOVE
	7064	GROMMET, EPDM	.7"ID, 1.0"OD, .06 GROOVE
7	624	TRIAC, 25A, 500V, ISOLATED	NEMA FLASHER
8	6013	MOV, CAP FLASHER	
9	2330	VARISTOR, V150LA20A	W/ 1.5" LEADS
10	358	RELAY, 2PDT, 8 PIN, OCTAL	10A, 120VAC, SINGLE CONTACT
11	890	BASE, RELAY, 8 PIN, ROUND	SURFACE/DIN MOUNT, WIDE
12	84	RELAY, NEMA FLASHER XFER	20A TUNGST, NEMA TS2-1992



800.345.6329

130

www.trafficparts.com

©Traffic Parts, Inc.

Traffic Parts,

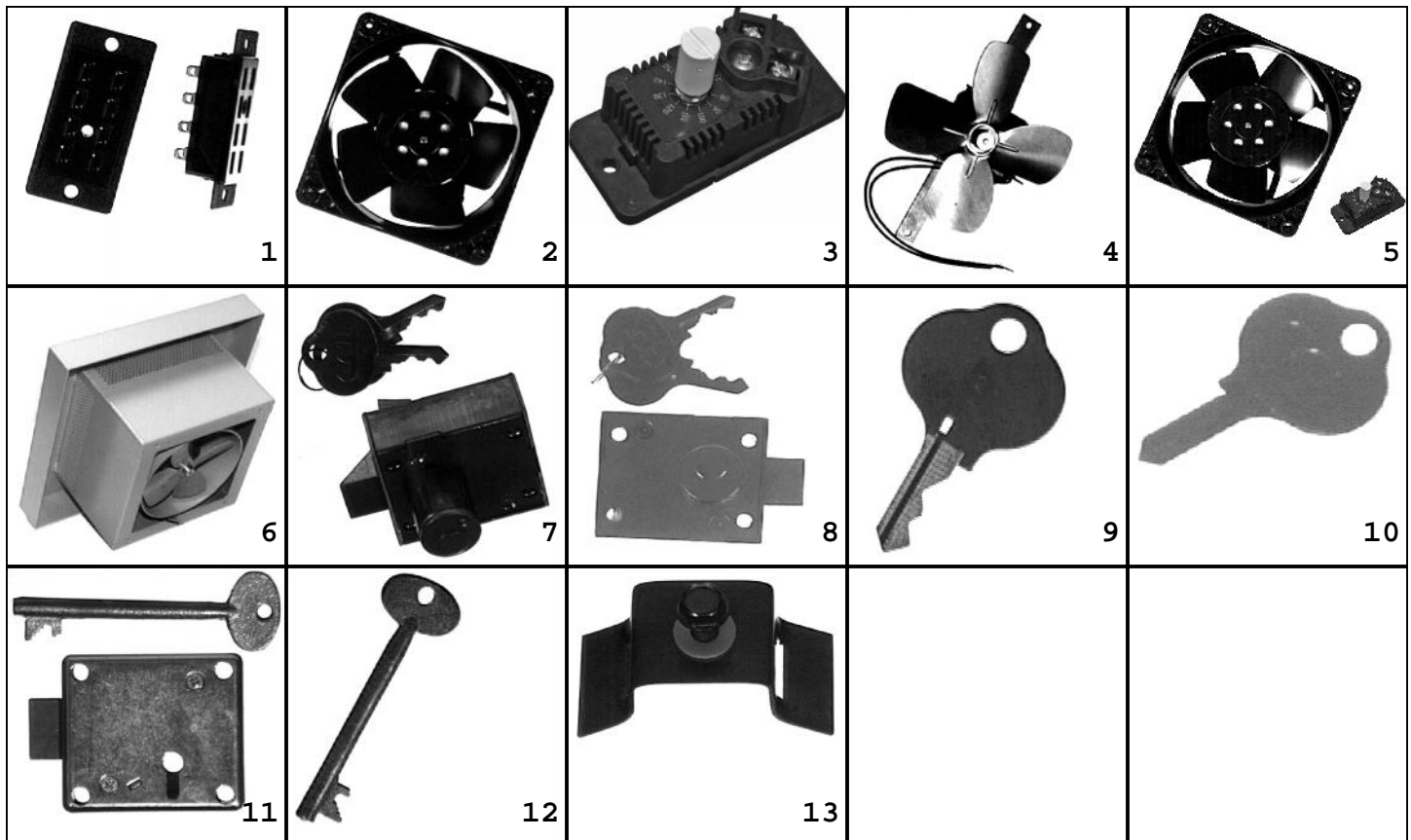
Component parts for
FLASHER CABS

Pic# P/N Description:

1 2176 SOCKET, NEMA, FLASH RELAY 8 PIN, PANEL MOUNT

Component parts for CABINETS

2	894	FAN, BOX, 105CFM, 120VAC, BB	4 11/16" X 4 11/16" X 1 1/2"
3	948	THERMOSTAT, 70-160F	FOR FAN ASSEMBLY
4	949	FAN MOTOR ASSY, 6" VENT	W/O COVER, CH (TCF-2)
5	2711	FAN + THERMOSTAT ASSEMBLY	
6	4135	FAN MOTOR ASSY, 4" VENT	W/SHEET AL COVER P4
6	2105	FAN MOTOR ASSY, 6" VENT	W/SHEET AL COVER P4
7	397	LOCK, SLAM TYPE, W/#2 KEY	W/2 KEYS, RIGHT HAND
8	7060	LOCK, DEAD BOLT, W/#2 KEY	W/2 KEYS, RIGHT HAND
9	1566	KEY, #2, CORBIN STYLE	CONTROLLER CABINET LOCK
10	7563	KEY, BLANK, CORBIN STYLE	FOR SLAM/DEADBOLT LOCKS
11	1565	LOCK, SLAM TYPE, W/LONG KEY	POLICE, RIGHT HAND
12	369	KEY, LONG, POLICE	CORBIN STYLE LOCK
13	2441	BRACKET, SIGN, BANDING	W/SS BOLT+WASHER (50/BOX)



800.345.6329

131

www.trafficparts.com

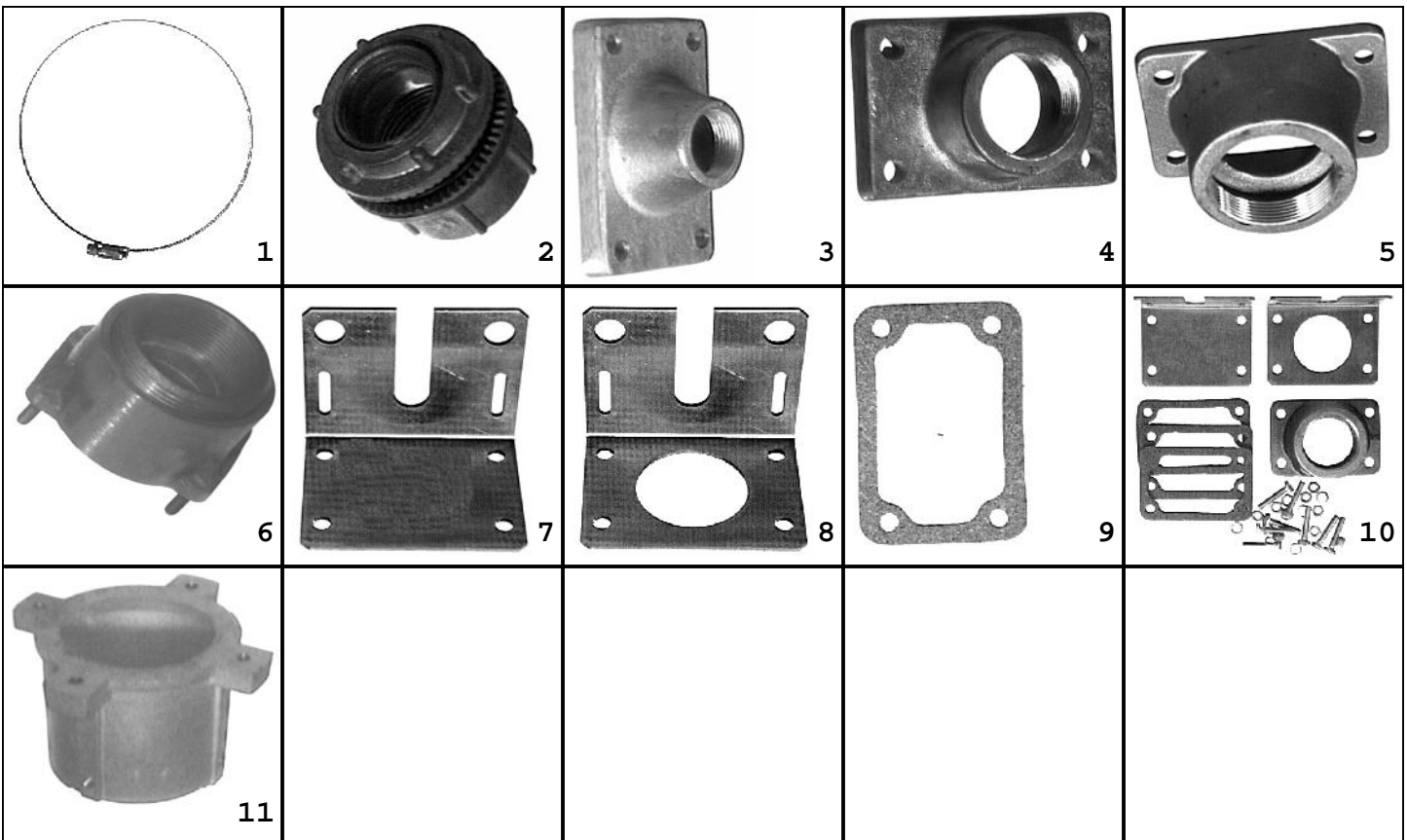
©Traffic Parts, Inc.

Traffic Parts,

Component parts for
CABINETS

Pic# P/N Description:

1	2152	CLAMP, GEAR, 1/2" BAND	4.5"-6.5" RANGE, 100/BX
2	2590	HUB, MYERS, 3/4"	
2	2591	HUB, MYERS, 1"	
2	6097	HUB, MYERS, 2"	
	6095	GROMMET, EPDM	5/8"X7/8"X1/16" GROOVE
3	4806	HUB PLATE, 4 HOLE	.75"FNPS P2
3	2872	HUB PLATE, 4 HOLE	1"FNPS P2
4	3481	HUB PLATE, 4 HOLE	1.25"FNPS P2
4	3570	HUB PLATE, 4 HOLE	1.5"FNPS P2
5	1254	HUB PLATE, 4 HOLE	2"FNPS P2
6	1275	HUB PLATE, 4 HOLE	2.5"FNPS P2
7	1253	HUB PLATE, MOUNT BRACKET	BLANK, W/SLOT P2
8	1252	HUB PLATE, MOUNT BRACKET	W/HOLE & SLOT, 3" HOLE P2
9	1255	GASKET, CORK	FOR HUBPLATES
10	1593	POLE MOUNT HDWR KIT, CROUS	FOR CONTROLLER CABINET
11	3011	POST TOP ADAPTER, CABINET	PEDESTAL MT, AL, 6.5"C/C P4
11	7335	POST TOP ADAPT ASSY, CAB	PEDESTAL MNT, AL, W/HDWR
	840	POST TOP ADAPTER, CABINET	PEDESTAL MT, BRONZE P4



800.345.6329

132

www.trafficparts.com

©Traffic Parts, Inc.

Traffic Parts,

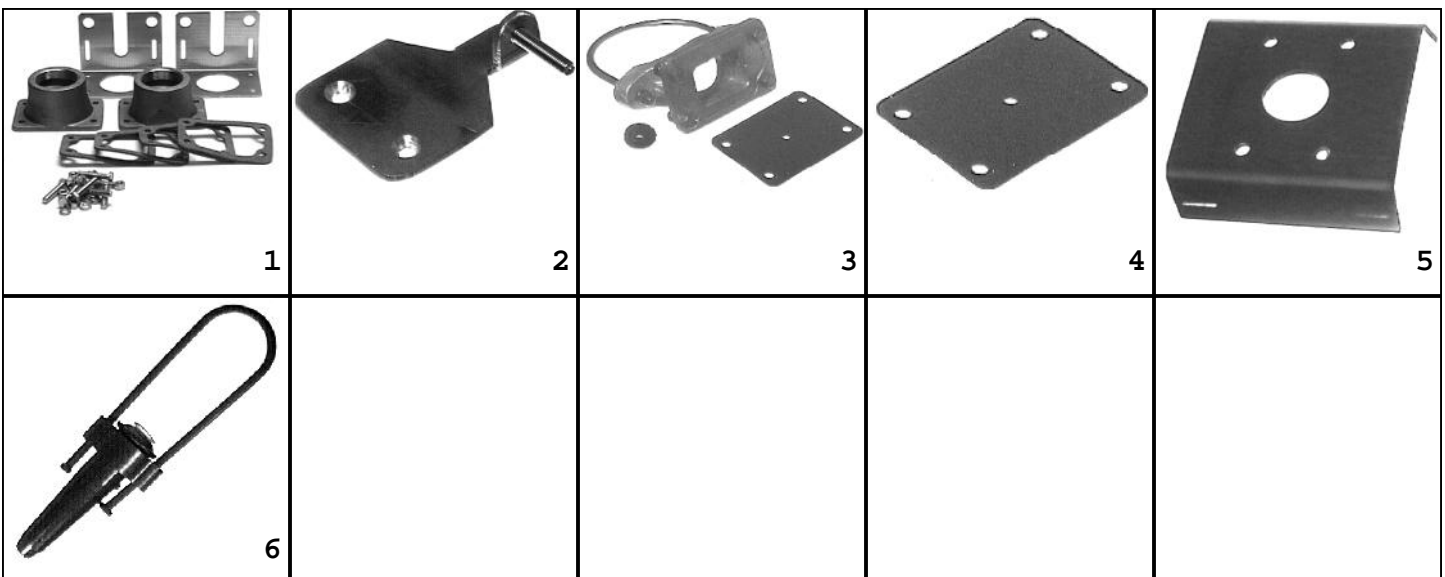
Component parts for
CABINETS

Pic# P/N Description:

1	2873	POLE MOUNT HDWR KIT,KENTR	FOR CONTROLLER CABINET
2	2928	HINGE,DOOR	CH PCE CABINET
3	6368	CABINET MOUNTING ASSY	4.5"OD POLE,U-BOLT,4 HOLE
4	6369	GASKET,CABINET MOUNT	4 HOLE, 3MM THICK
5	7533	CABINET MTG BRKT,W/HDWR	BANDIT,H DTY,6-8" POLE
5	7190	CABINET MTG BRKT,W/HDWR	BANDIT,H DTY,10-20"POLE
	2123	ANTENNA,8 INCH	FOR XR RECEIVERS
	2124	ANTENNA,3 FOOT WHIP	FOR XT TRANSMITTERS

Selected items of POLELINE HDW

	545	GUY WIRE,EHS,(3/16"),GALV	A-COAT,7 STRAND, 80 #/MF
	734	GUY WIRE,EHS,(1/4"),GALV	A-COAT,7 STRAND,136 #/MF
	547	GUY WIRE,EHS,(5/16"),GALV	A-COAT,7 STRAND,205 #/MF
	548	GUY WIRE,EHS,(3/8"),GALV	A-COAT,7 STRAND,273 #/MF
	550	GUY WIRE,EHS,(1/2"),GALV	A-COAT,7 STRAND,517 #/MF
	549	GUY WIRE,EHS,(7/16"),GALV	A-COAT,7 STRAND,399 #/MF
6	1622	STRAND VISE,3/16"ALLGRADE	LONG BAIL 26#/C
6	1621	STRAND VISE,1/4"ALLGRADE	LONG BAIL,51#/C,50/BX MIN
6	1620	STRAND VISE,5/16"ALLGRADE	LONG BAIL,84#/C,50/BX MIN
6	1619	STRAND VISE,3/8"ALLGRADE	LONG BAIL,114#/C,50/BX MN
6	1624	STRAND VISE,3/16"ALLGRADE	SHORT BAIL 20#/C
6	1626	STRAND VISE,1/4"ALLGRADE	SHORT BAIL 45#/C
6	1625	STRAND VISE,5/16"ALLGRADE	SHORT BAIL 72#/C
6	1623	STRAND VISE,3/8"ALLGRADE	SHORT BAIL 104#/C



800.345.6329

133

www.trafficparts.com

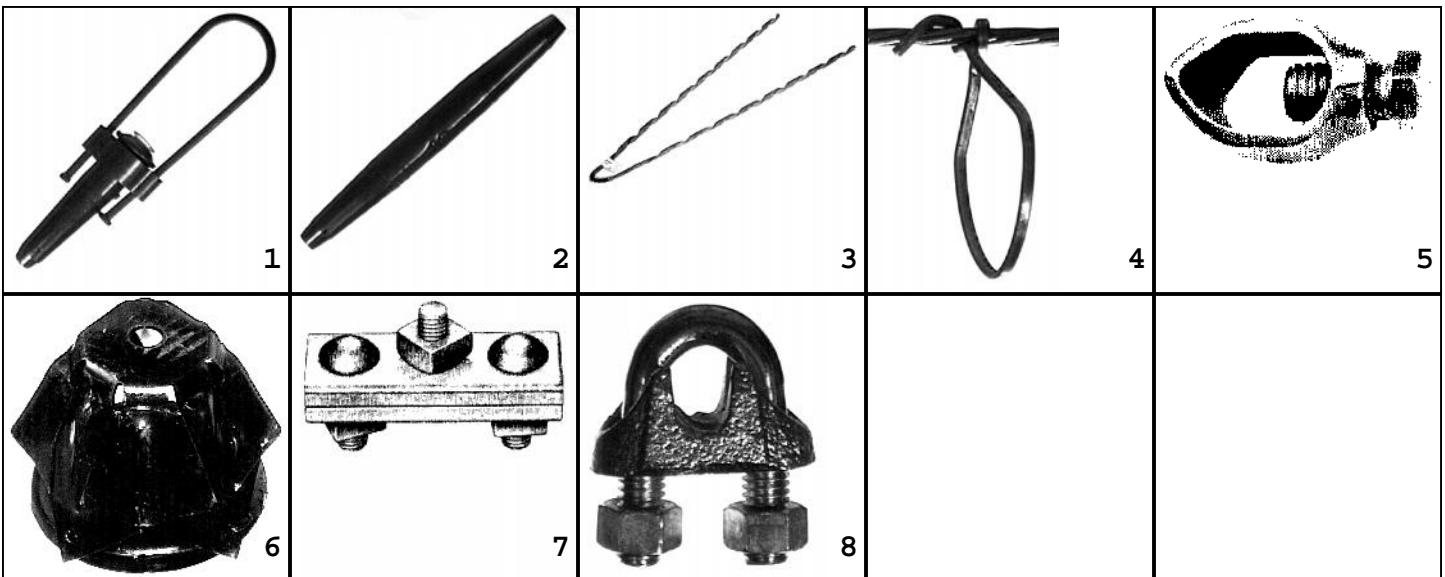
©Traffic Parts, Inc.

Traffic Parts,

Selected items of
POLELINE HDW

Pic# P/N Description:

1	7169	STRAND VISE, 1/4", UNIV GR	SHORT BAIL, 62#/C, 50/BOX
1	7171	STRAND VISE, 3/8", UNIV GR	SHORT BAIL, 132#/C
1	7167	STRAND VISE, 1/2", UNIV GR	LONG BAIL, 260#/C, 20/BOX
1	7170	STRAND VISE, 3/8", UNIV GR	XLONG BAIL, 164#/C, 25/BOX
2	2155	STRAND LINK, 1/4"	33#/C
2	2154	STRAND LINK, 5/16"	62#/C
2	2156	STRAND LINK, 3/8"	88#/C
3	2264	DEADEND, GUY, 1/4", GALV	B-COAT, 48#/C, YELLOW
3	2262	DEADEND, GUY, 5/16", GALV	B-COAT, 78#/C, BLACK
3	2263	DEADEND, GUY, 3/8", GALV	B-COAT, 102#/C, ORANGE
4	2525	CABLE RING, 2"X1/4", GALV	54#/M
4	2524	CABLE RING, 2"X5/16", GALV	54#/M
4	2523	CABLE RING, 2"X3/8", GALV	54#/M
	4307	GUY GUARD, YELLOW, 8'	100#/C, 25/BOX
5	4309	GROUND ROD CLMP, BRNZ, 5/8"	HEX HEAD, 12#/C, 100/BOX
5	4308	GROUND ROD CLMP, BRNZ, 3/4"	HEX HEAD, 27#/C, 100/BOX
	4312	CU CLAD GRND ROD, 5/8"X8'	685#/C, 5/BOX
	4311	CU CLAD GRND ROD, 5/8"X10'	860#/C, 5/BOX
	4310	CU CLAD GRND ROD, 3/4"X8'	995#/C, 5/BOX
6	4315	8-WAY EXP ANCHR, 6", NO ROD	509#/C, 12/BOX, 70 SQ IN
6	4313	8-WAY EXP ANCHR, 8", NO ROD	960#/C, 6/BOX, 135 SQ IN
7	4361	GUY CLAMP, 4", 3 BOLT	3/16-7/16 GUY, 160#/C, 50/BX
7	4316	GUY CLAMP, 6", 3 BOLT	5/16-1/2 GUY, 256#/C, 25/BX
8	4323	GUY CLIP, 1/4"	14#/C, 200/BX
8	4325	GUY CLIP, 3/8"	30#/C, 200/BX
8	4324	GUY CLIP, 1/2"	48#/C, 100/BX



800.345.6329

134

www.trafficparts.com

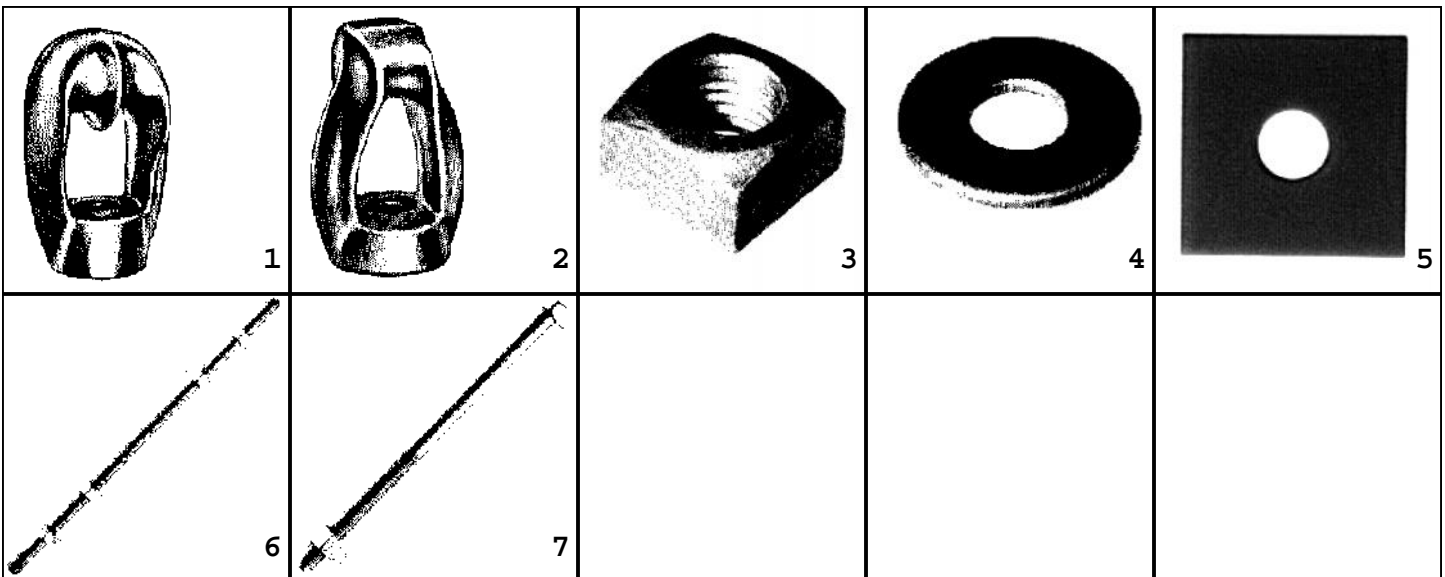
©Traffic Parts, Inc.

Traffic Parts,

Selected items of
POLELINE HDW

Pic# P/N Description:

1	4320	TWINEYE NUT, 5/8"	5/8" GUY, 177#/C, 50/BX
2	4322	THIMBLEYE NUT, 5/8"	1/2" GUY, 91#/C, 50/BX
2	4321	THIMBLEYE NUT, 3/4"	1/2" GUY, 91#/C, 50/BX
3	4328	SQUARE NUT, 1/2"	6#/C, 1000/BOX
3	4327	SQUARE NUT, 5/8"	11#/C, 500/BX
3	4326	SQUARE NUT, 3/4"	14#/C, 500/BX
4	4330	ROUND WASHER, 1/8"X1 3/8"	1/2" BOLT, 4#/C, 1000/BOX
4	103	ROUND WASHER, 1/8"X1 3/4"	5/8" BOLT, 8#/C, 650/BOX
4	4329	ROUND WASHER, 1/8" X 2"	3/4" BOLT, 11#/C, 500/BOX
5	4333	SQR CURVD WSHR, 3/16X2 1/4	5/8" BOLT, 27#/C, 250/BOX
5	4332	SQR CURVD WSHR, 3/16X2 1/2	5/8" BOLT, 34#/C, 50/BOX
5	4331	SQR CURVD WSHR, 1/4" X 3"	3/4" BOLT, 66#/C, 100/BOX
5	4336	SQR WSHR, 1/8X2	5/8" BOLT, 14#/C, 500/BOX
5	4335	SQR WSHR, 3/16X2 1/4	5/8" BOLT, 26#/C, 200/BOX
5	4334	SQR WSHR, 3/16X2 1/4	3/4" BOLT, 14#/C, 200/BOX
6	4353	DOUBLE ARMING BOLT W/NUT	5/8"X14", 142#/C, 50/BOX
6	4352	DOUBLE ARMING BOLT W/NUT	5/8"X16", 158#/C, 25/BOX
6	4351	DOUBLE ARMING BOLT W/NUT	5/8"X18", 171#/C, 25/BOX
6	4350	DOUBLE ARMING BOLT W/NUT	5/8"X20", 186#/C, 25/BOX
6	4345	DOUBLE ARMING BOLT W/NUT	3/4"X14", 240#/C, 25/BOX
7	4360	MACHINE BOLT W/NUT, GALV	5/8"X6", 62#/C, 100/BOX
7	4359	MACHINE BOLT W/NUT, GALV	5/8"X8", 82#/C, 50/BOX
7	4358	MACHINE BOLT W/NUT, GALV	5/8"X10", 94#/C, 50/BOX
7	4357	MACHINE BOLT W/NUT, GALV	5/8"X12", 108#/C, 50/BOX
7	4356	MACHINE BOLT W/NUT, GALV	5/8"X14", 125#/C, 50/BOX
7	4355	MACHINE BOLT W/NUT, GALV	5/8"X16", 136#/C, 50/BOX



800.345.6329

135

www.trafficparts.com

©Traffic Parts, Inc.

Traffic Parts,

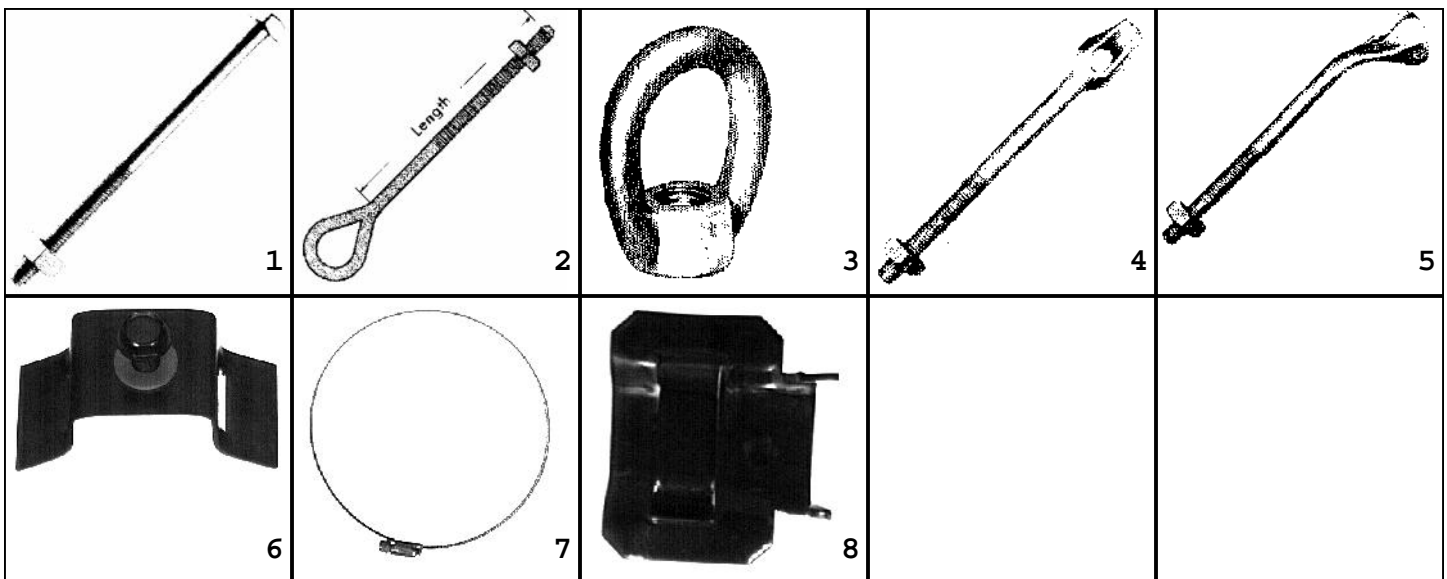
Selected items of
POLELINE HDW

Pic# P/N Description:

1	4354	MACHINE BOLT W/NUT, GALV	5/8"X20", 170#/C, 40/BOX
2	4349	OVAL EYEBOLT W/NUT	5/8"X10", 146#/C, 50/BOX
2	4348	OVAL EYEBOLT W/NUT	5/8"X12", 156#/C, 50/BOX
2	4347	OVAL EYEBOLT W/NUT	5/8"X14", 168#/C, 25/BOX
2	6989	OVAL EYEBOLT, W/NUT	5/8"X18", 190#/C, 25/BOX
2	4344	OVAL EYEBOLT W/NUT	3/4"X10", 200#/C, 25/BOX
2	4346	OVAL EYEBOLT W/NUT	3/4"X12", 220#/C, 25/BOX
3	4319	OVAL EYENUT, 5/8"	54#/C, 100/BX
3	4318	OVAL EYENUT, 3/4"	53#/C, 100/BX
4	4343	STRT THIMBLEYE BOLT W/NUT	5/8"X8", 120#/C, 50/BOX
4	4342	STRT THIMBLEYE BOLT W/NUT	5/8"X10", 136#/C, 50/BOX
4	4341	STRT THIMBLEYE BOLT W/NUT	5/8"X12", 150#/C, 50/BOX
4	101	STRT THIMBLEYE BOLT W/NUT	5/8"X14", 50/BOX
4	4340	STRT THIMBLEYE BOLT W/NUT	5/8"X16", 188#/C, 25/BOX
5	4339	ANGLE THIMBLEYE BLT W/NUT	5/8"X10", 136#/C, 50/BOX
5	4338	ANGLE THIMBLEYE BLT W/NUT	5/8"X12", 150#/C, 50/BOX
5	4337	ANGLE THIMBLEYE BLT W/NUT	5/8"X14", 164#/C, 25/BOX

Component parts for BANDING

6	2441	BRACKET, SIGN, BANDING	W/SS BOLT+WASHER(50/BOX)
	3491	CLAMP, FREE END	10"DIA X 3/4"W, SS(25/BOX)
7	2152	CLAMP, GEAR, 1/2" BAND	4.5"-6.5" RANGE, 100/BX
8	4017	BANDING BUCKLES, 1/2"	201 SS (100/BOX)
8	4016	BANDING BUCKLES, 5/8"	201 SS (100/BOX)



800.345.6329

136

www.trafficparts.com

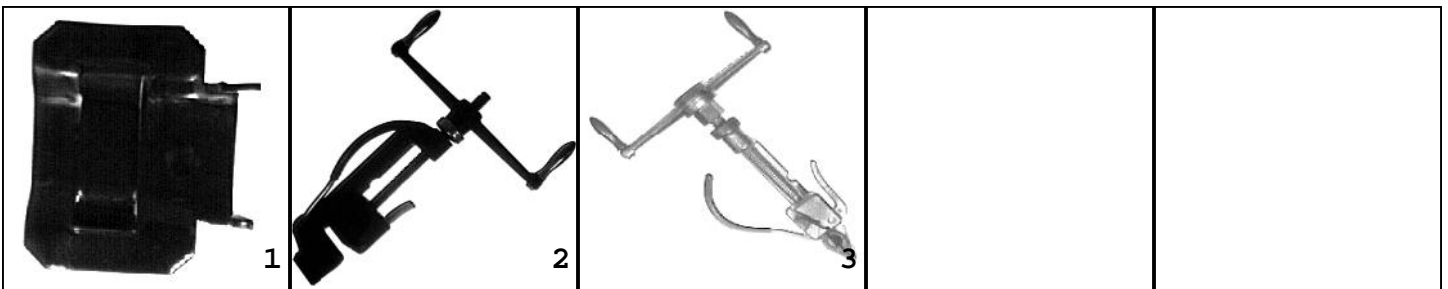
©Traffic Parts, Inc.

Traffic Parts,

Component parts for
BANDING

Pic# P/N Description:

1	4015	BANDING BUCKLES, 3/4"	201 SS (100/BOX)
	4021	BANDING BAND, 1/2" (.030)	201 SS (100FT/ROLL)
	4020	BANDING BAND, 5/8" (.030)	201 SS (100FT/ROLL)
	4019	BANDING BAND, 3/4" (.030)	201SS(100FT/RL), RED TOTE
2	4018	BANDING TOOL, STD DUTY	
3	6087	BANDING TOOL, HEAVY DUTY	



800.345.6329

137

www.trafficparts.com

©Traffic Parts, Inc.

TRAFFIC PARTS INC.

P.O. BOX 837
 SPRING, TX 77383-0837

800-345-6329

SALES@TRAFFICPARTS.COM
WWW.TRAFFICPARTS.COM

PANEL MOUNT FLASHERS

SPECIFICATIONS	TP# 1039 (25DF) 2 circuit	TP# 6112 (12DC10DF) 2 circuit
Operating Voltage	60-135 VAC	6-24 VDC
Load Current	25 Amps (w/adequate heat sinking @ 77°F)	10 Amps (w/adequate heat sinking @ 77°F)
Temperature Range	-30° F to 165° F	-30° F to 165° F
Flash Rate (per circuit)	56-1/4 flasher/minute standard (other rates are available upon request)	55 flasher/minute standard
Size	1-3/4" x 2-1/4"	1-3/4" x 2-1/4"
Mounting	Flat surface w/2 mounting holes (top/bottom)	Flat surface w/2 mounting holes (top/bottom)



TP# 6112
 Pictured



TP# 2935
 Pictured

MUSHROOM FLASHERS

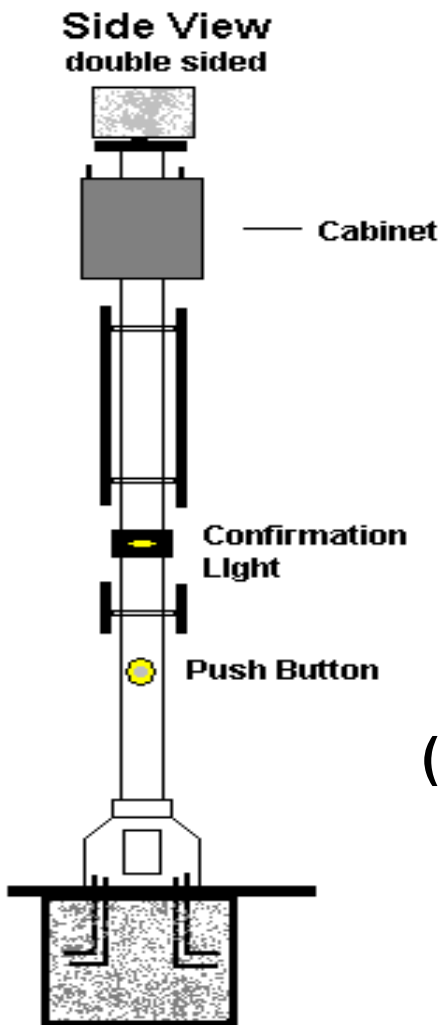
SPECIFICATIONS	TP# 2935 2 circuit (yellow)	TP# 5810 2 circuit (green)	TP# 1940 2 circuit (black)
Operating Voltage	95-135 VAC	95-135 VAC	95-135 VAC
Load Current	3 Amps	3 Amps	3 Amps
Temperature Range	-30° F to 165° F	-30° F to 165° F	-30° F to 165° F
Flash Rate	56-1/4 flashes /minute	56-1/4 flashes /minute	56-1/4 flashes /minute
Size	1-7/8" Overall Height	1-7/8" Overall Height	1-7/8" Overall Height
Mounting	Dual purpose mounting in top or bottom of signal and seals off opening	Dual purpose mounting in top or bottom of signal and seals off opening	Dual purpose mounting in top or bottom of signal and seals off opening

TRAFFIC PARTS, INC.
P.O. BOX 837
SPRING, TX 77383

PH 800-345-6329
FX 281-292-0088
EMAIL: SALES@TRAFFICPARTS.COM
WWW.TRAFFICPARTS.COM

PUBLIC SAFETY

**LED BLINKING SIGNS
FOR THOSE HARD TO SEE
LOCATIONS**

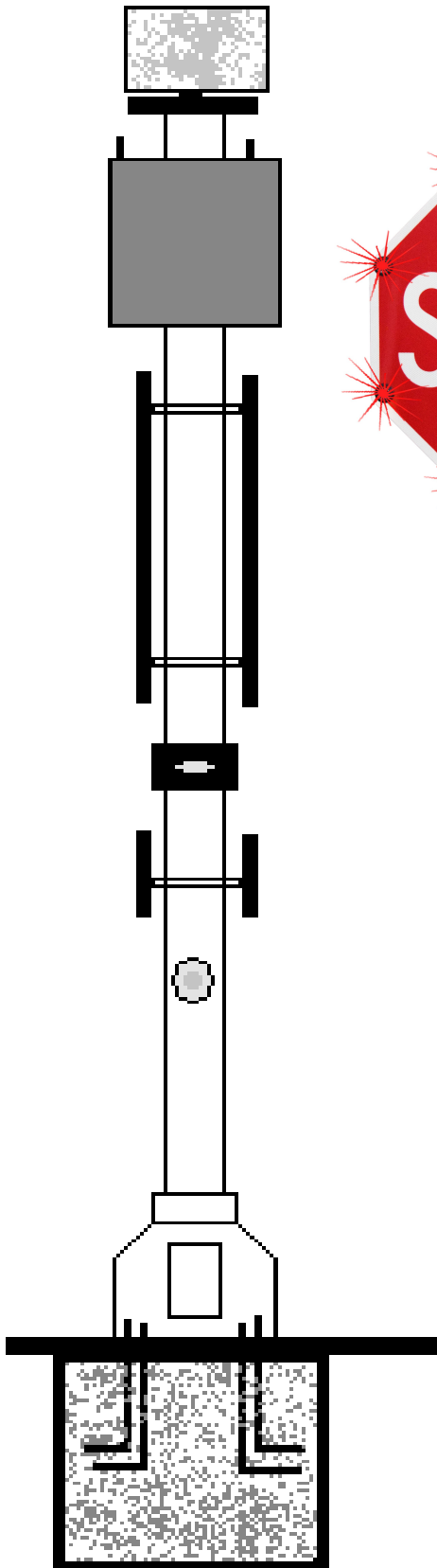


RRFB
(Rectangular Rapid Flashing Beacons)
FOR CROSSWALKS LOCATED IN
SCHOOLS, LOWER VOLUME TRAFFIC
AREAS, ETC.

**Compact Version of the RRFB is available
upon request.**
(may not be available in all areas).



TRAFFIC PARTS, INC.
P.O. BOX 837
SPRING, TX 77383



PH 800-345-6329
FX 281-292-0088
SALES@TRAFFICPARTS.COM
WWW.TRAFFICPARTS.COM

Warning Systems

School Zones

Industrial Sites
Fire Stations
Truck Entrances
Intersection Warnings
Emergency Entrances

120vac and Solar Systems

Side of road and above road systems

Complete systems or components
Flasher/Solar cabinets
Illuminated or printed signs
Wireless remote options

Screw in anchors for easy installation
(no concrete foundation needed)

LED Blinking Signs
Rectangular Rapid Flashing Beacons

